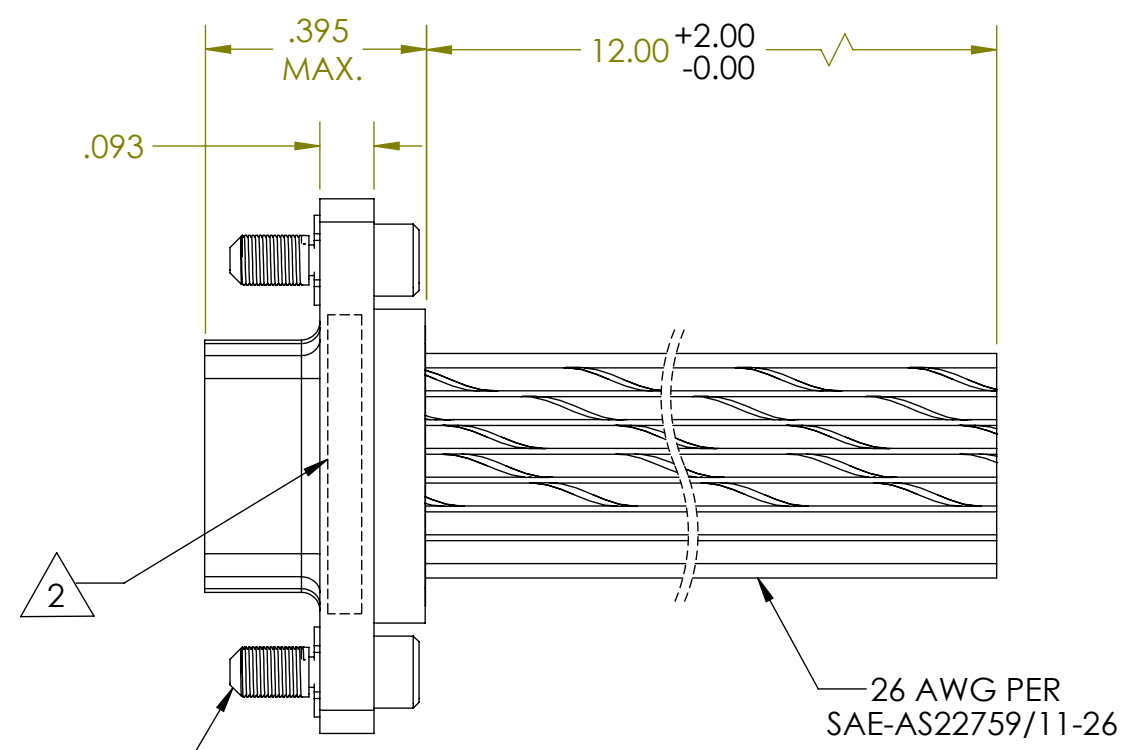
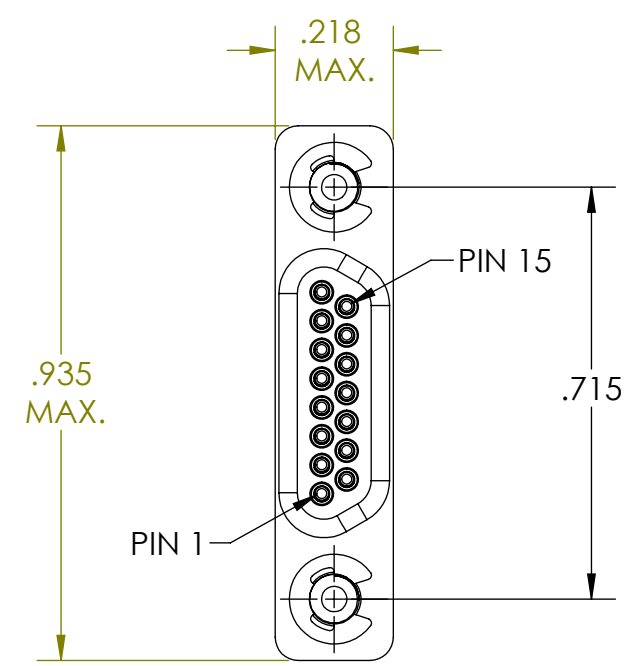


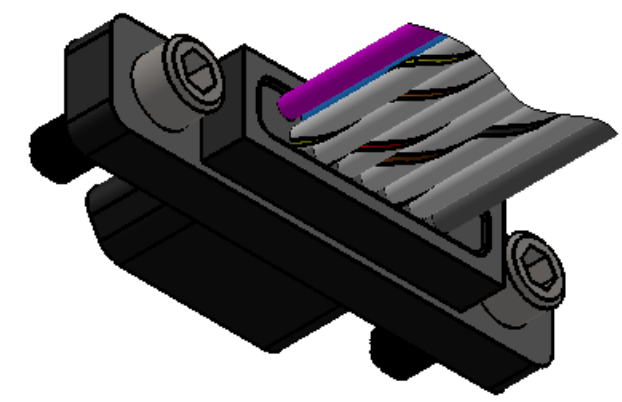
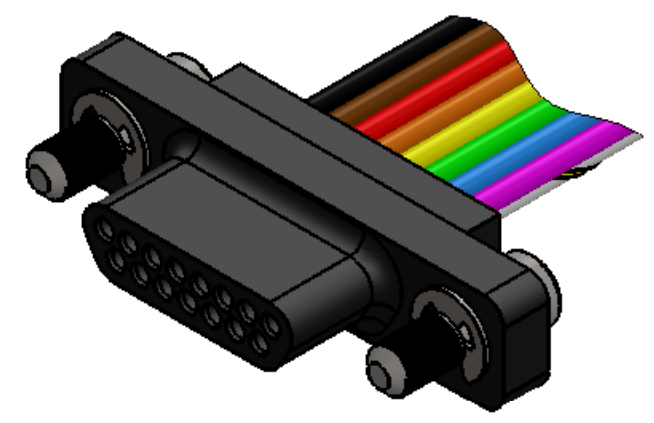
PART REV	DWG ISSUE	DATE	ECN NO.	APPVD BY	REL BY
-	-	5/28/14	UMI5326	DW	DW

F
E
D
C
B
A



2-56 JACKSCREW
LOW PROFILE
ALLEN HEAD
2X

1	BLK
2	BRN
3	RED
4	ORG
5	YEL
6	GRN
7	BLU
8	VIO
9	GRY
10	WHT
11	W/BLK
12	W/BRN
13	W/RED
14	W/ORG
15	W/YEL



4. PERFORMANCE SPECIFICATIONS:
CURRENT RATING: 3 AMPS MAX.
INSULATION RESISTANCE: 5000 MEGOHMS MIN.
DWV: 600 VAC
TEMPERATURE RATING: 125° C

3 MATERIALS:
SHELL: PPS PER MIL-M-24519 GST-40F, COLOR: BLACK
PIN CONTACTS: C17200 BERYLLIUM COPPER PER ASTM B194, GOLD PLATED PER ASTM B488
WIRE: 26 AWG PER SAE-AS22759/11-26, COLOR CODE PER MIL-STD-681
HARDWARE: PASSIVATED STAINLESS STEEL IAW MIL-DTL-83513/5

2 MARKING: "UMI", DATE CODE, UMI PART NUMBER

1. CONNECTOR ASSEMBLY IS IAW MIL-DTL-83513 UNLESS OTHERWISE SPECIFIED.
NOTES: UNLESS OTHERWISE SPECIFIED.

QUALITY SYMBOLS CRITICAL MAJOR NO SYMBOLS = MINOR DIMENSIONS	UNLESS OTHERWISE SPECIFIED: ALL DIMENSIONS ARE IN INCHES	SCALE 3:1	DWG SIZE B	THIRD ANGLE PROJECTION	REVISE ON CAD ONLY	
	GENERAL TOLERANCES: 3 PLACES ±.005 2 PLACES ±.01 ANGULAR ±2°	DRAWN BY & DATE DU 5/28/14		TITLE: MICRO-D CONNECTOR ASSEMBLY, LOW PROFILE, PLASTIC, PR15P02-26M5-12.0		
	ULTI-MATE CAGE CODE 58967	CHECKED BY & DATE DW 5/28/14		MATERIAL: 3	ENG PROJECT #: NONE	
		APPROVED BY & DATE DW 5/28/14		PART NO. 834528182	DRAWING NO. SD-834528182	SHEET NO. 1 of 1
		CAD FILE NAME SD-834528182.SLDDRW		THIS DRAWING CONTAINS INFORMATION THAT IS PROPRIETARY TO ULTI-MATE INCORPORATED AND SHOULD NOT BE USED WITHOUT WRITTEN PERMISSION.		