

SD-834518802

2

ECN NO.
UMI 4196

DATE
10-11-10

APPVD BY

REL BY

REV / DWG
ISSUE

3

4

5

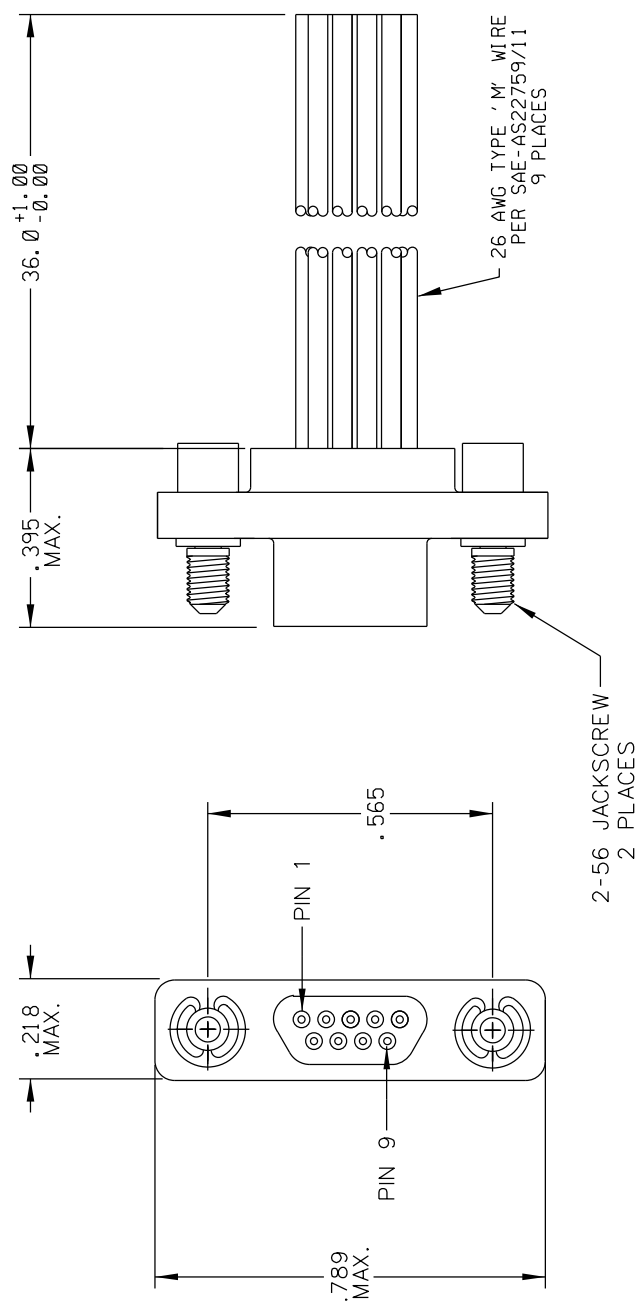
6

7

8

9

10



1	BLK
2	BRN
3	RED
4	ORG
5	YEL
6	GRN
7	BLU
8	VIO
9	GRY

QUALITY SYMBOLS MAJOR = CRITICAL = SPC =	UNLESS SPECIFIED: ALL DIMENSIONS IN INCHES GENERAL TOLERANCES: 3 PLACE ±.005 2 PLACE ±.01 ANGULAR ±2°	SCALE NONE DWG SIZE B DRAWN BY & DATE DW 10-11-10 CHECKED BY & DATE APPROVED BY & DATE CAD FILENAME SD-834518802.DGN PART NO. 834518802 DRAWING NO. SD-834518802	THIRD ANGLE PROJECTION 	REVISE ON CAD ONLY
	TITLE: MICRO-D PLUG, SIZE 9, 26 AWG TYPE 'M' LEADS PR09P02-26M6-36.0 MATERIAL: Uti-Mate Connector Inc.	REVISIONS SHEET NO. 1 OF 1 REV -		

2 MATERIALS:
 BODY/INSULATOR: PPS PER MIL-M-24519 GST-40F
 PIN CONTACTS: BERYLLIUM COPPER PER ASTM-B194,
 GOLD PLATED PER ASTM B488-01
 HARDWARE: 300 SERIES STAINLESS STEEL, PASSIVATED PER AMS-2700
 1. MARKING: UMI, DATE CODE, UMI/P/N.
 NOTES: UNLESS OTHERWISE SPECIFIED.

Uti-Mate CASE CODE
58967