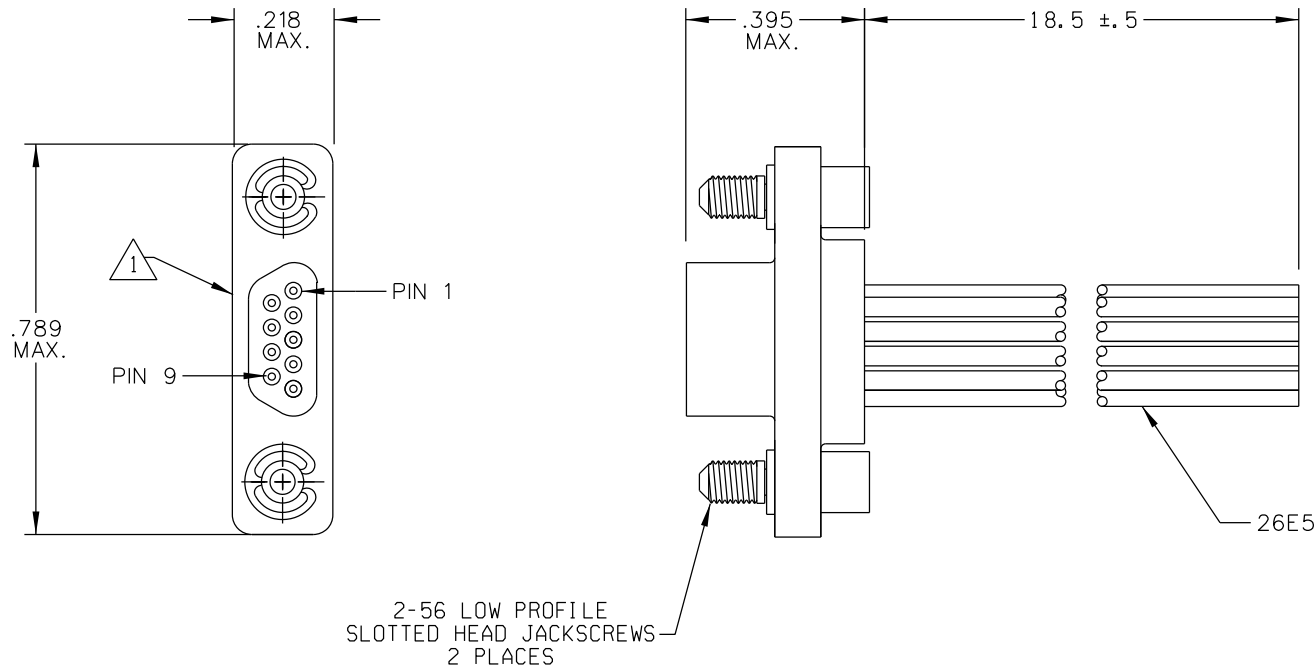


PART REV	DWG ISSUE	DATE	ECN NO.	APPVD BY	REL BY
-	-	10-18-17	UMI 6530	DW	DW



1	BLK
2	BRN
3	RED
4	ORG
5	YEL
6	GRN
7	BLU
8	VIO
9	GRY

3. PERFORMANCE SPECIFICATIONS IAW MIL-DTL-83513

2 MATERIALS:
 BODY/INSULATOR: PPS PER MIL-M-24519 GST-40F, COLOR: BLACK
 CONTACTS: C17200 BERYLLIUM COPPER PER ASTM B194,
 GOLD PLATED PER ASTM B488

1 HARDWARE: STAINLESS STEEL IAW MIL-DTL-83513/5, PASSIVATED PER AMS 2700
 MARKING: UMI, DATE CODE, UMIP/N, AND WORK ORDER NUMBER.

NOTES: UNLESS OTHERWISE SPECIFIED.

QUALITY SYMBOLS CRITICAL SPECIAL KEY	UNLESS SPECIFIED: ALL DIMENSIONS IN INCHES GENERAL TOLERANCES: 3 PLACE ± .002 2 PLACE ± .005 ANGULAR ± 2°	SCALE NONE DWG SIZE B	THIRD ANGLE PROJECTION	REVISE ON CAD ONLY		
	ALL EXTERNAL SPECIFICATIONS REFERENCED ON THIS DRAWING SHALL BE TO THE LATEST REVISION IN EFFECT Ulti-Mate CAGE CODE 58967	DRAWN BY & DATE D.URBACH 16SEPT98	TITLE: CONNECTOR ASSEMBLY, PRO9P05-26E5-18.0			
		CHECKED BY & DATE SEE ECN	MATERIAL: 2 Ulti-Mate Connector Inc.			
	APPROVED BY & DATE SEE ECN		CAD FILENAME SD-834518075.DGN	PART NO. 834518075	DRAWING NO. SD-834518075	SHEET NO. 1 OF 1

THIS DRAWING CONTAINS INFORMATION THAT IS PROPRIETARY TO ULTI-MATE INCORPORATED AND SHOULD NOT BE USED WITHOUT WRITTEN PERMISSION.