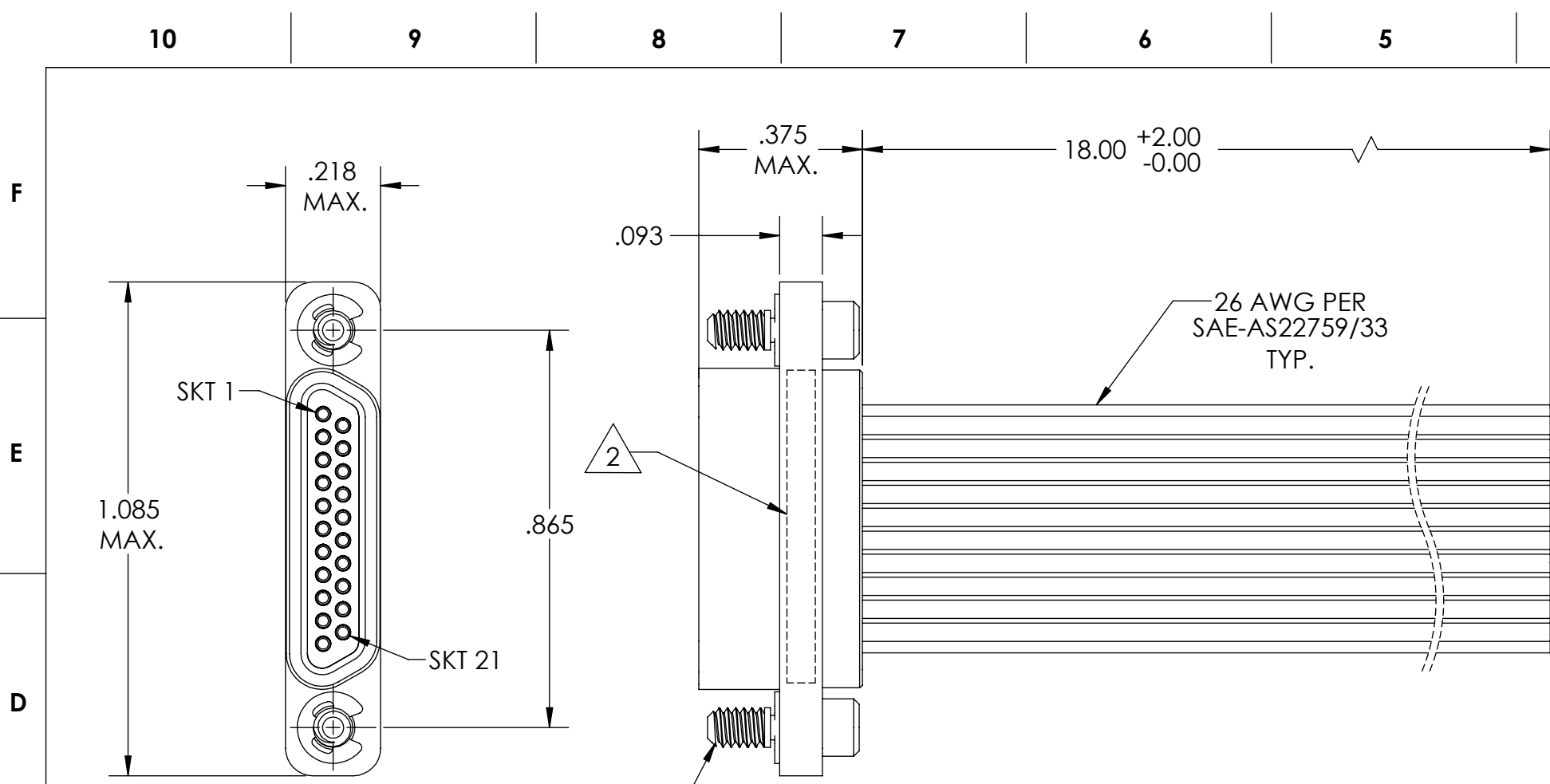
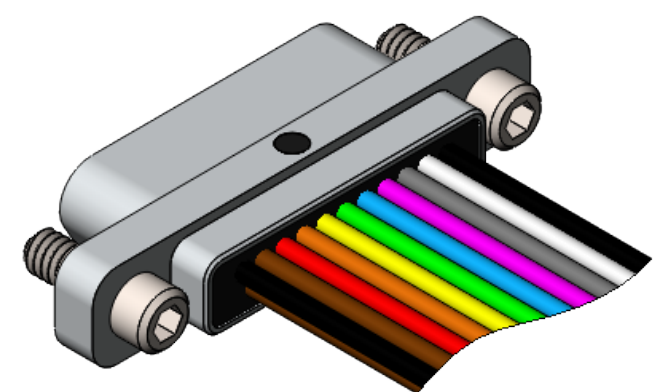
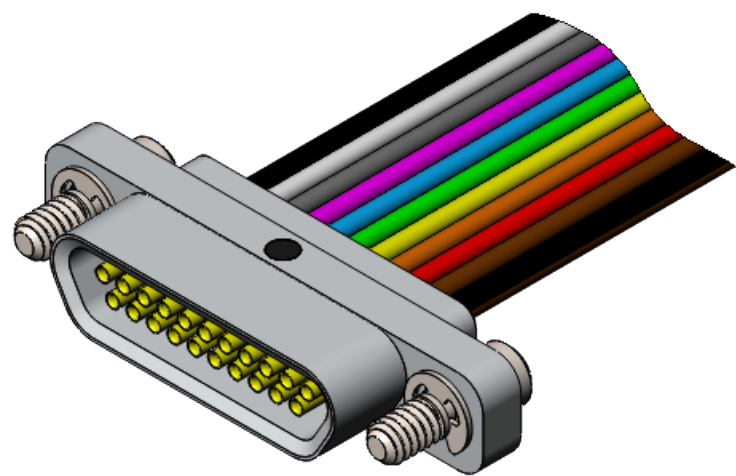


PART REV		DWG ISSUE	DATE	ECN NO.	APPVD BY	REL BY
-	-	-	4/18/19	UMI7121	DW	DW



2-56 JACKSCREW
LOW-PROFILE
ALLEN HEAD
2X



1	BLK
2	BRN
3	RED
4	ORG
5	YEL
6	GRN
7	BLU
8	VIO
9	GRY
10	WHT
11	BLK
12	BRN
13	RED
14	ORG
15	YEL
16	GRN
17	BLU
18	VIO
19	GRY
20	WHT
21	BLK

- 5. CONTACT HEIGHTS ARE TO BE PER QA-STD-101.
- 4. PERFORMANCE SPECIFICATIONS:
CURRENT RATING: 3 AMPS MAX.
DWV: 600 VAC
TEMPERATURE RATING: -55°C TO 125°C

3 MATERIALS:
SHELL: 6061-T6 ALUMINUM PER AMS-Q-Q-A200/8, NICKEL PLATED PER AMS-2404
INSULATOR: PPS PER MIL-M-24519 GST-40F, COLOR: BLACK
SOCKET CONTACTS: C21000 COPPER ALLOY PER ASTM B36, GOLD PLATED PER ASTM B488
HARDWARE: PASSIVATED STAINLESS STEEL IAW MIL-DTL-83513/5
WIRE: 26 AWG PER SAE-AS22759/33, REPEATING 10 COLOR CODE PER MIL-STD-681

2 MARKING: "UMI", DATE CODE, UMI PART NUMBER, UMI WORK ORDER NUMBER

1. CONNECTOR ASSEMBLY IS IAW MIL-DTL-83513 UNLESS OTHERWISE SPECIFIED.

NOTES: UNLESS OTHERWISE SPECIFIED.

QUALITY SYMBOLS CRITICAL MAJOR NO SYMBOLS = MINOR DIMENSIONS	UNLESS OTHERWISE SPECIFIED: ALL DIMENSIONS ARE IN INCHES	SCALE 3:1	DWG SIZE B	THIRD ANGLE PROJECTION	REVISE ON CAD ONLY	
	GENERAL TOLERANCES: 3 PLACES ±.005 2 PLACES ±.01 ANGULAR ±2°	DRAWN BY & DATE DU 4/18/19	TITLE: LOW-PROFILE MICRO-D CONNECTOR ASSEMBLY, AR21S02-26Y6-18.0-S01, NICKEL PLATED SHELL			
		CHECKED BY & DATE DW 4/18/19	MATERIAL:	ENG PROJECT #: NONE		
		APPROVED BY & DATE DW 4/18/19	CAD FILE NAME SD-834431252.SLDDRW	PART NO. 834431252	DRAWING NO. SD-834431252	SHEET NO. 1 of 1
ULTI-MATE CAGE CODE 58967		THIS DRAWING CONTAINS INFORMATION THAT IS PROPRIETARY TO ULTI-MATE INCORPORATED AND SHOULD NOT BE USED WITHOUT WRITTEN PERMISSION.				