

10

9

8

7

6

5

4

3

2

SD-834371000

PART REV	DWG ISSUE	DATE	ECN NO.	APPVD BY	REL BY
-	-	7/30/19	UMI7227	DU	DW

F

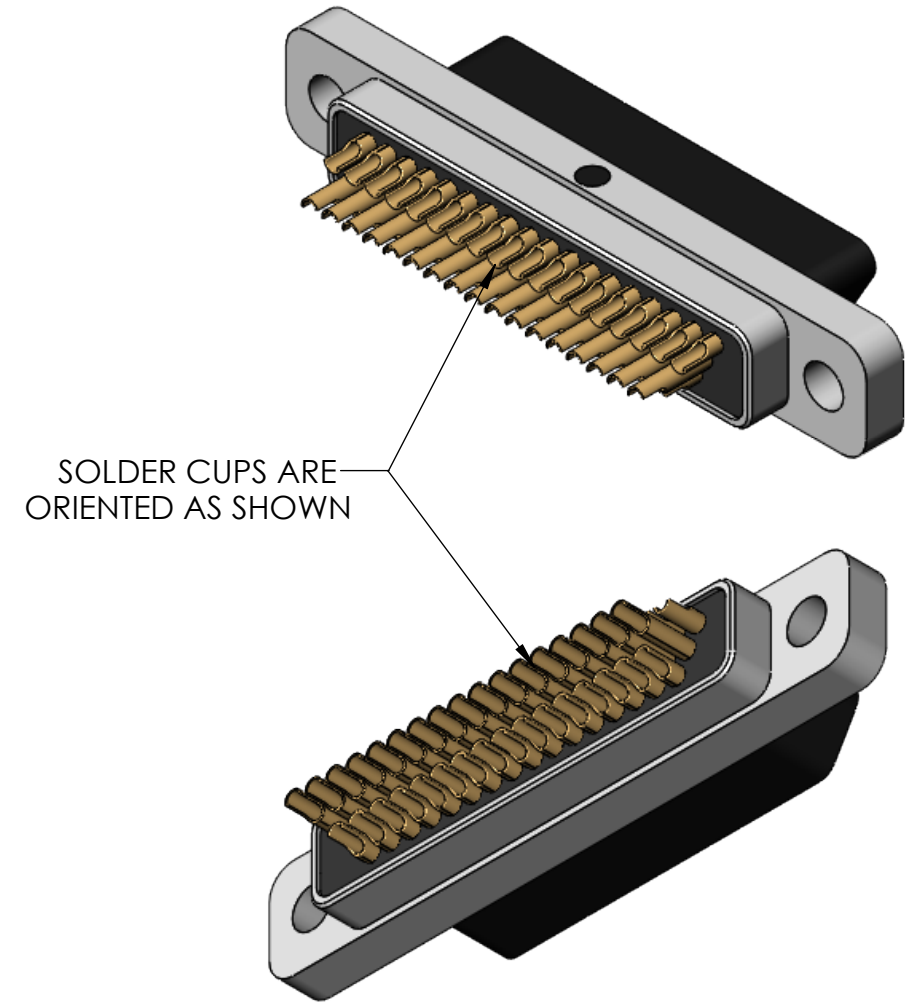
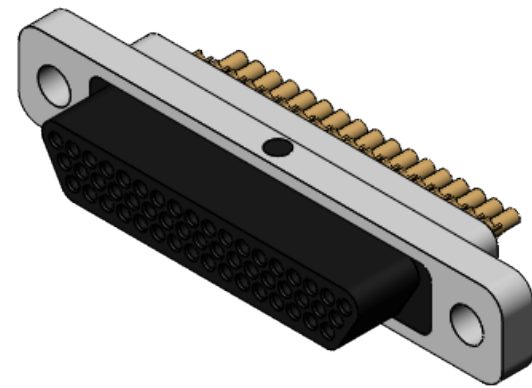
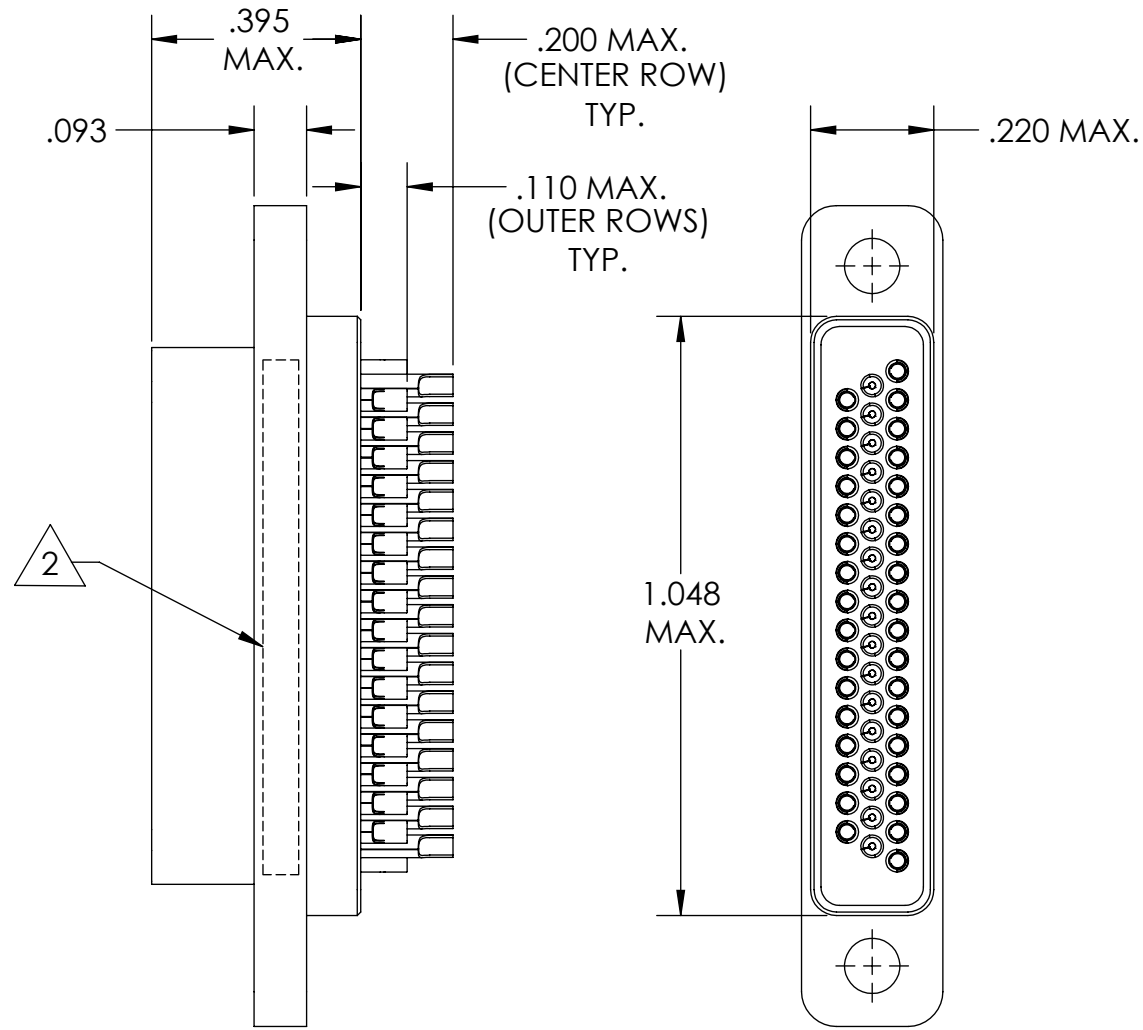
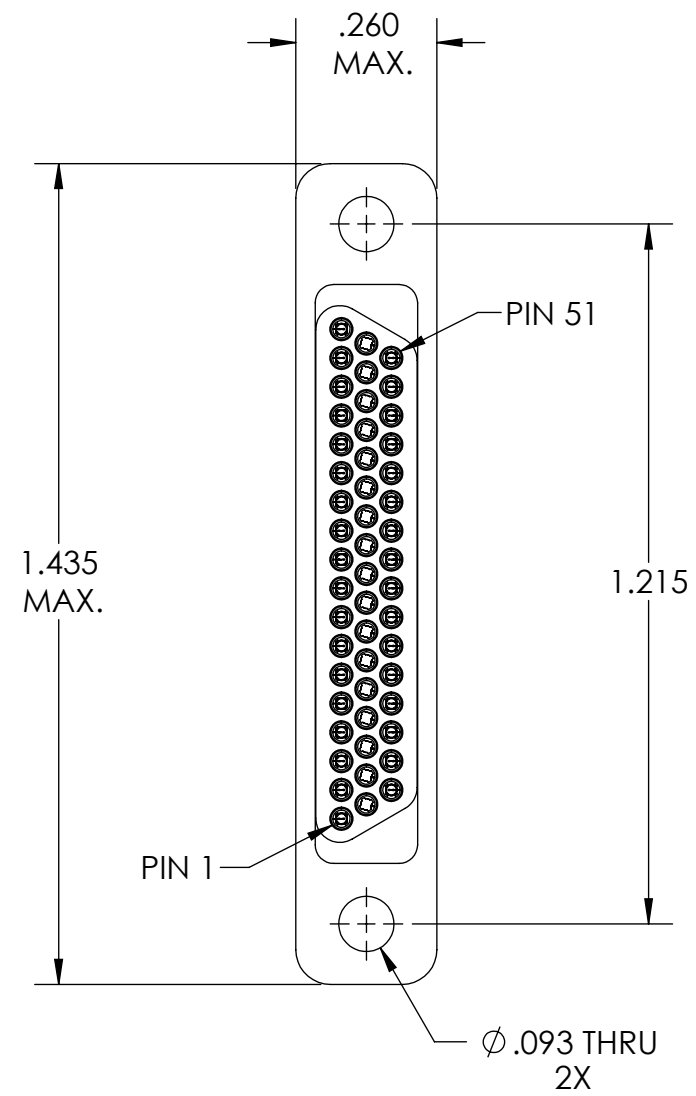
E

D

C

B

A



SOLDER CUPS ARE ORIENTED AS SHOWN

5. CONTACT HEIGHTS ARE TO BE PER QA-STD-101.

4. PERFORMANCE SPECIFICATIONS:
CURRENT RATING: 3 AMPS MAX.
DWV: 600 VAC
TEMPERATURE RATING: -55°C TO 125°C

3 MATERIALS:
SHELL: 6061-T6 ALUMINUM PER AMS-Q-Q-A200/8, NICKEL PLATED PER AMS-2404
INSULATOR: PPS PER MIL-M-24519 GST-40F, COLOR: BLACK
PIN SOLDERCUP CONTACTS: C17200 BERYLLIUM COPPER PER ASTM B194,
GOLD PLATED PER ASTM B488

2 MARKING: "UMI", DATE CODE, UMI PART NUMBER, UMI WORK ORDER NUMBER

1. CONNECTOR ASSEMBLY IS IAW MIL-DTL-83513 UNLESS OTHERWISE SPECIFIED.

NOTES: UNLESS OTHERWISE SPECIFIED.

QUALITY SYMBOLS CRITICAL MAJOR NO SYMBOLS = MINOR DIMENSIONS	UNLESS OTHERWISE SPECIFIED: ALL DIMENSIONS ARE IN INCHES	SCALE 3:1	DWG SIZE B	THIRD ANGLE PROJECTION	REVISE ON CAD ONLY	
	GENERAL TOLERANCES: 3 PLACES ±.005 2 PLACES ±.01 ANGULAR ±2°	DRAWN BY & DATE DU 7/30/19		TITLE: MICRO-D CONNECTOR ASSEMBLY, LOW-PROFILE, APR51-3N0-S01		
		CHECKED BY & DATE DW 7/30/19		MATERIAL: 3	ENG PROJECT #: NONE	
		APPROVED BY & DATE DW 7/30/19		PART NO. 834371000		DRAWING NO. SD-834371000
	CAD FILE NAME SD-834371000.SLDDRW		PART NO. 834371000		DRAWING NO. SD-834371000	
ULTI-MATE CAGE CODE 58967				SHEET NO. 1 of 1		
THIS DRAWING CONTAINS INFORMATION THAT IS PROPRIETARY TO ULTI-MATE INCORPORATED AND SHOULD NOT BE USED WITHOUT WRITTEN PERMISSION.						PART REV. -

