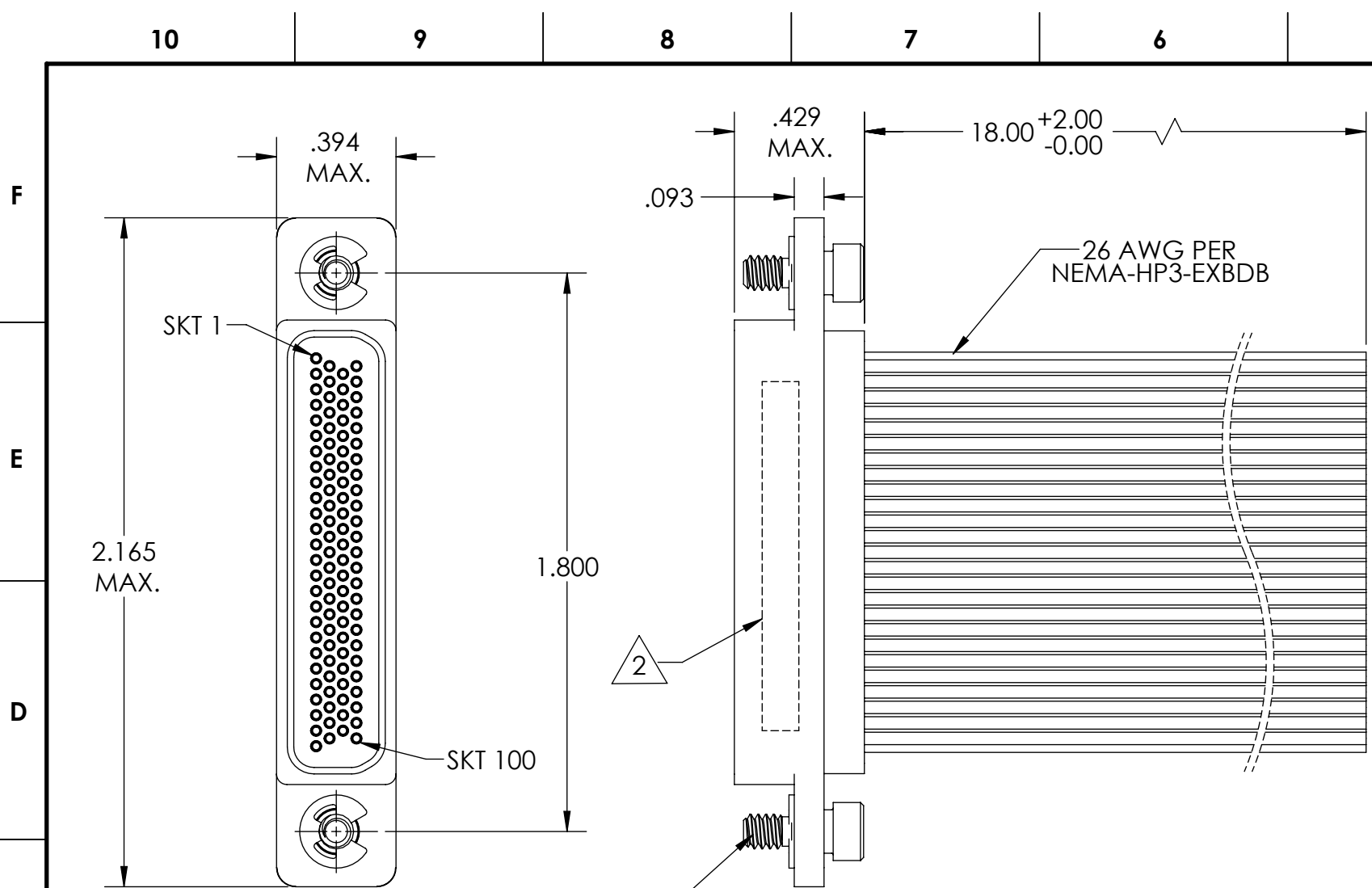
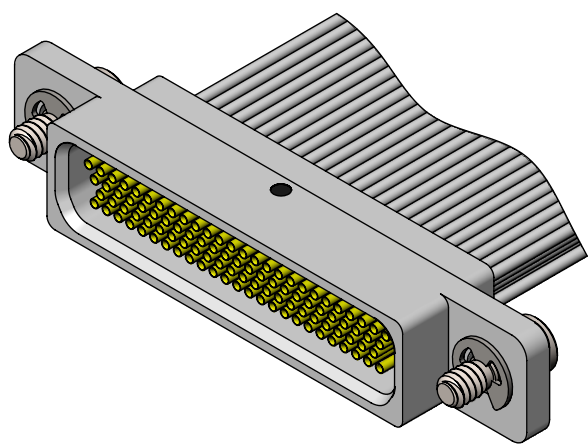


PART REV	DWG ISSUE	DATE	ECN NO.	APPVD BY	REL BY
-	-	1/6/17	UMI6193	DW	DW
-	A	10/10/17	UMI6526	DW	DW



1	BLK	26	W/BLK/VIO	51	W/GRN/VIO	76	W/BLK/YEL/VIO
2	BRN	27	W/BLK/GRY	52	W/GRN/GRY	77	W/BLK/YEL/GRY
3	RED	28	W/BRN/RED	53	W/BLU/VIO	78	W/BLK/GRN/BLU
4	ORG	29	W/BRN/ORG	54	W/BLU/GRY	79	W/BLK/GRN/VIO
5	YEL	30	W/BRN/YEL	55	W/VIO/GRY	80	W/BLK/GRN/GRY
6	GRN	31	W/BRN/GRN	56	W/BLK/BRN/RED	81	W/BLK/BLU/VIO
7	BLU	32	W/BRN/BLU	57	W/BLK/BRN/ORG	82	W/BLK/BLU/GRY
8	VIO	33	W/BRN/VIO	58	W/BLK/BRN/YEL	83	W/BLK/VIO/GRY
9	GRY	34	W/BRN/GRY	59	W/BLK/BRN/GRN	84	W/BRN/RED/ORG
10	WHT	35	W/RED/ORG	60	W/BLK/BRN/BLU	85	W/BRN/RED/YEL
11	W/BLK	36	W/RED/YEL	61	W/BLK/BRN/VIO	86	W/BRN/RED/GRN
12	W/BRN	37	W/RED/GRN	62	W/BLK/BRN/GRY	87	W/BRN/RED/BLU
13	W/RED	38	W/RED/BLU	63	W/BLK/RED/ORG	88	W/BRN/RED/VIO
14	W/ORG	39	W/RED/VIO	64	W/BLK/RED/YEL	89	W/BRN/RED/GRY
15	W/YEL	40	W/RED/GRY	65	W/BLK/RED/GRN	90	W/BRN/ORG/YEL
16	W/GRN	41	W/ORG/YEL	66	W/BLK/RED/BLU	91	W/BRN/ORG/GRN
17	W/BLU	42	W/ORG/GRN	67	W/BLK/RED/VIO	92	W/BRN/ORG/BLU
18	W/VIO	43	W/ORG/BLU	68	W/BLK/RED/GRY	93	W/BRN/ORG/VIO
19	W/GRY	44	W/ORG/VIO	69	W/BLK/ORG/YEL	94	W/BRN/ORG/GRY
20	W/BLK/BRN	45	W/ORG/GRY	70	W/BLK/ORG/GRN	95	W/BRN/YEL/GRN
21	W/BLK/RED	46	W/YEL/GRN	71	W/BLK/ORG/BLU	96	W/BRN/YEL/BLU
22	W/BLK/ORG	47	W/YEL/BLU	72	W/BLK/ORG/VIO	97	W/BRN/YEL/VIO
23	W/BLK/YEL	48	W/YEL/VIO	73	W/BLK/ORG/GRY	98	W/BRN/YEL/GRY
24	W/BLK/GRN	49	W/YEL/GRY	74	W/BLK/YEL/GRN	99	W/BRN/GRN/BLU
25	W/BLK/BLU	50	W/GRN/BLU	75	W/BLK/YEL/BLU	100	W/BRN/GRN/VIO



4. PERFORMANCE SPECIFICATIONS:
 CURRENT RATING: 3 AMPS MAX.
 INSULATION RESISTANCE: 5000 MEGOHMS MIN.
 DWV: 600 VAC
 TEMPERATURE RATING: 125° C

3 MATERIALS:
 SHELL: 6061-T6 ALUMINUM PER AMS-QQ-A200/8, NICKEL PLATED PER AMS-2404
 INSULATOR: PPS PER MIL-M-24519 GST-40F, COLOR: BLACK
 SOCKET CONTACT: C21000 COPPER ALLOY PER ASTM B36, GOLD PLATED PER ASTM B488
 HARDWARE: PASSIVATED STAINLESS STEEL IAW MIL-DTL-83513/5
 WIRE: 26 AWG PER NEMA-HP3-EXBDB, COLOR CODE PER MIL-STD-681
 INTERFACIAL SEAL: FLUOROSILICONE PER MIL-R-25988

2 MARKING: "UMI", DATE CODE, UMI PART NUMBER, UMI WORK ORDER NUMBER

1. CONNECTOR ASSEMBLY IS IAW MIL-DTL-83513 UNLESS OTHERWISE SPECIFIED.

NOTES: UNLESS OTHERWISE SPECIFIED.

QUALITY SYMBOLS CRITICAL MAJOR NO SYMBOLS = MINOR DIMENSIONS	UNLESS OTHERWISE SPECIFIED: ALL DIMENSIONS ARE IN INCHES	SCALE 3:1	DWG SIZE B	THIRD ANGLE PROJECTION	REVISE ON CAD ONLY		
	GENERAL TOLERANCES: 3 PLACES ±.005 2 PLACES ±.01 ANGULAR ±2°	DRAWN BY & DATE DU 1/6/17		TITLE: MICRO-D CONNECTOR ASSEMBLY, MR100S12-26E5-18.0-S01			
		CHECKED BY & DATE DW 1/6/17		MATERIAL: 3	ENG PROJECT #: NONE		
		APPROVED BY & DATE DW 1/6/17			DRAWING NO. SD-834281072		
	ULTI-MATE CAGE CODE 58967		CAD FILE NAME SD-834281072.SLDDRW	PART NO. 834281072	PART REV. -		

THIS DRAWING CONTAINS INFORMATION THAT IS PROPRIETARY TO ULTI-MATE INCORPORATED AND SHOULD NOT BE USED WITHOUT WRITTEN PERMISSION.