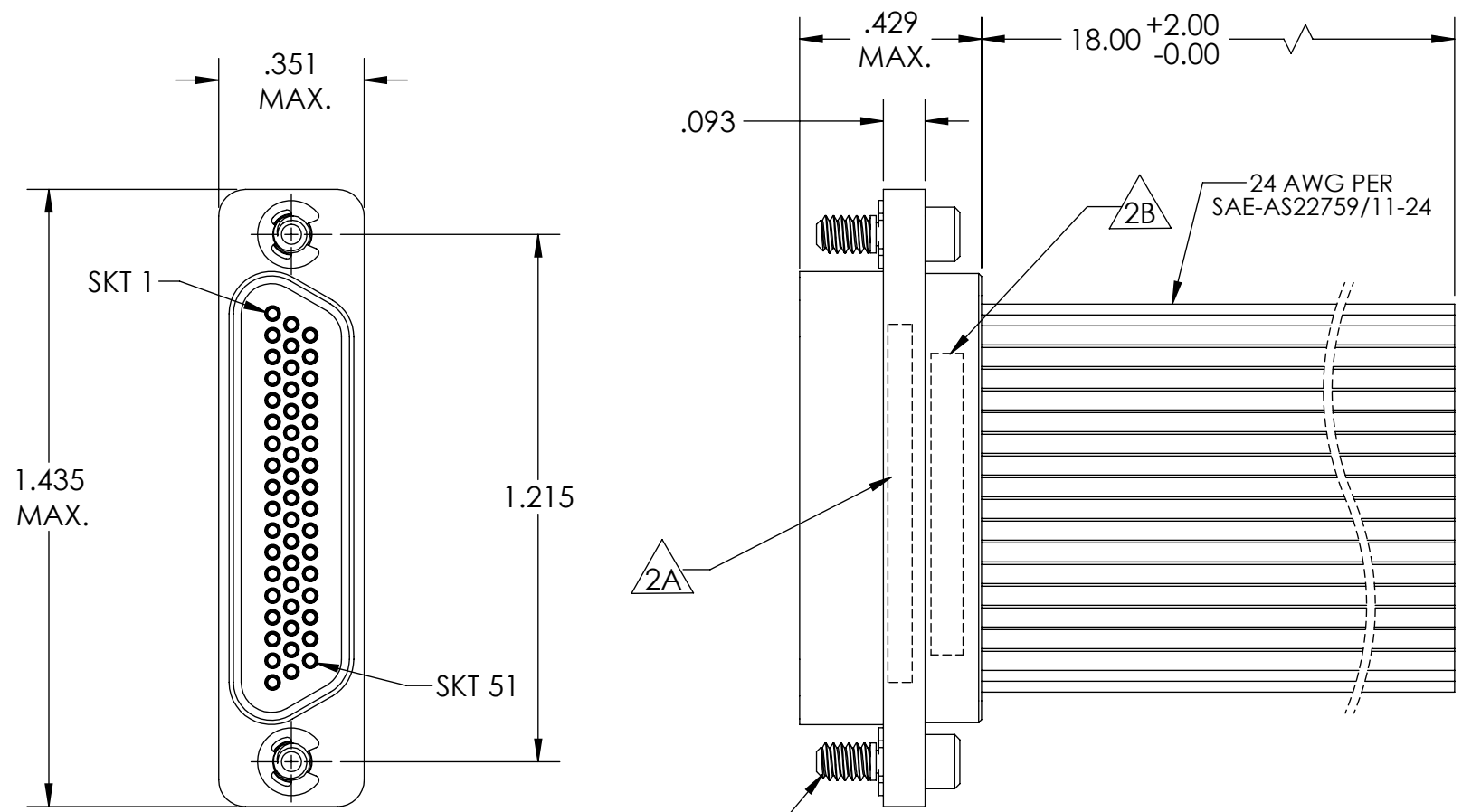
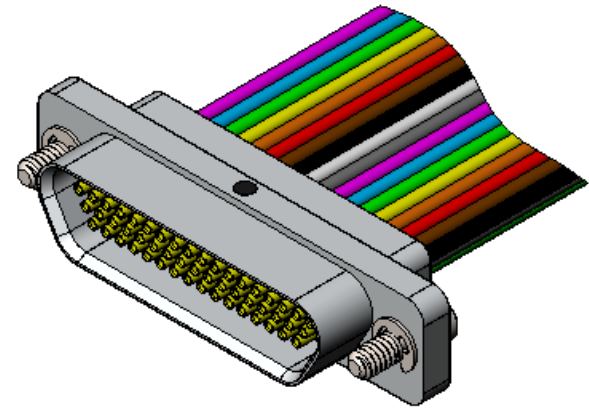
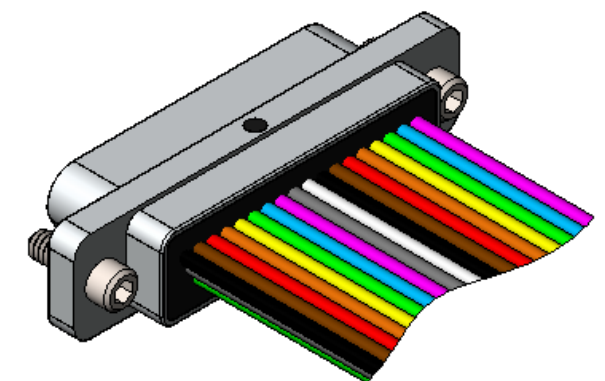


PART REV	DWG ISSUE	DATE	ECN NO.	APPVD BY	REL BY
-	-	4/21/16	UMI5937	DW	DW

F
E
D
C
B
A



2-56 JACKSCREW
ALLEN HEAD
LOW-PROFILE
2X



1	BLK	26	GRN
2	BRN	27	BLU
3	RED	28	VIO
4	ORG	29	GRY
5	YEL	30	WHT
6	GRN	31	BLK
7	BLU	32	BRN
8	VIO	33	RED
9	GRY	34	ORG
10	WHT	35	YEL
11	BLK	36	GRN
12	BRN	37	BLU
13	RED	38	VIO
14	ORG	39	GRY
15	YEL	40	WHT
16	GRN	41	BLK
17	BLU	42	BRN
18	VIO	43	RED
19	GRY	44	ORG
20	WHT	45	YEL
21	BLK	46	GRN
22	BRN	47	BLU
23	RED	48	VIO
24	ORG	49	GRY
25	YEL	50	WHT
		51	BLK

4. PERFORMANCE SPECIFICATIONS:
CURRENT RATING: 3 AMPS MAX.
INSULATION RESISTANCE: 5000 MEGOHMS MIN.
DWV: 600 VAC
TEMPERATURE RATING: 125 °C

3 MATERIALS:
SHELL: 6061-T6 ALUMINUM PER AMS-QQ-A200/8, NICKEL PLATED PER AMS-2404
INSULATOR: PPS PER MIL-M-24519 GST-40F, COLOR: BLACK
SOCKET CONTACT: C21000 COPPER ALLOY PER ASTM B36, GOLD PLATED PER ASTM B488
HARDWARE: PASSIVATED STAINLESS STEEL IAW MIL-DTL-83513/5
WIRE: 24 AWG PER SAE-AS22759/11-24, REPEATING 10 COLORS
INTERFACIAL SEAL: FLUOROSILICONE PER MIL-R-25988

2. MARKING:
2A "UMI", DATE CODE, UMI PART NUMBER
2B UMI WORK ORDER NUMBER

1. CONNECTOR ASSEMBLY IS IAW MIL-DTL-83513 UNLESS OTHERWISE SPECIFIED.
NOTES: UNLESS OTHERWISE SPECIFIED.

QUALITY SYMBOLS CRITICAL C MAJOR NO SYMBOLS = MINOR DIMENSIONS	UNLESS OTHERWISE SPECIFIED: ALL DIMENSIONS ARE IN INCHES	SCALE 3:1	DWG SIZE B	THIRD ANGLE PROJECTION	REVISE ON CAD ONLY		
	GENERAL TOLERANCES: 3 PLACES ±.005 2 PLACES ±.01 ANGULAR ±2°	DRAWN BY & DATE DU 4/14/16		TITLE: MICRO-D CONNECTOR ASSEMBLY, MR51-3S02-24M6-18.0-S01			
		CHECKED BY & DATE DW 4/14/16		MATERIAL: 3	ENG PROJECT #: E262		
		APPROVED BY & DATE DW 4/14/16			DRAWING NO. SD-834271882		
	ULTI-MATE CAGE CODE 58967	CAD FILE NAME SD-834271882.SLDDRW	PART NO. 834271882	PART REV. -			

THIS DRAWING CONTAINS INFORMATION THAT IS PROPRIETARY TO ULTI-MATE INCORPORATED AND SHOULD NOT BE USED WITHOUT WRITTEN PERMISSION.