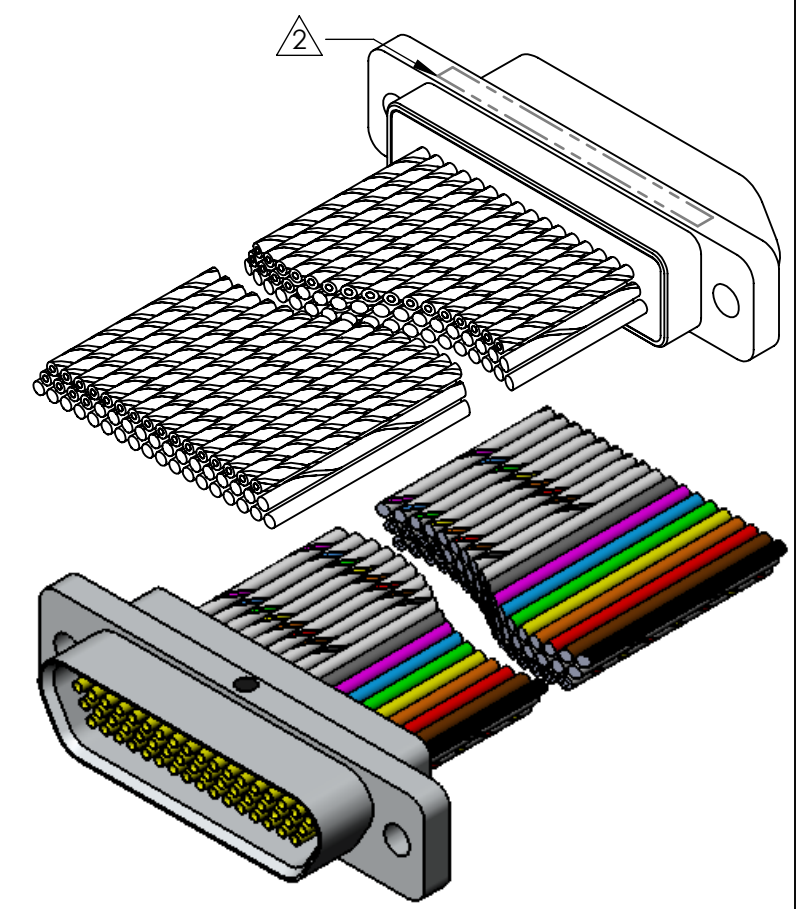
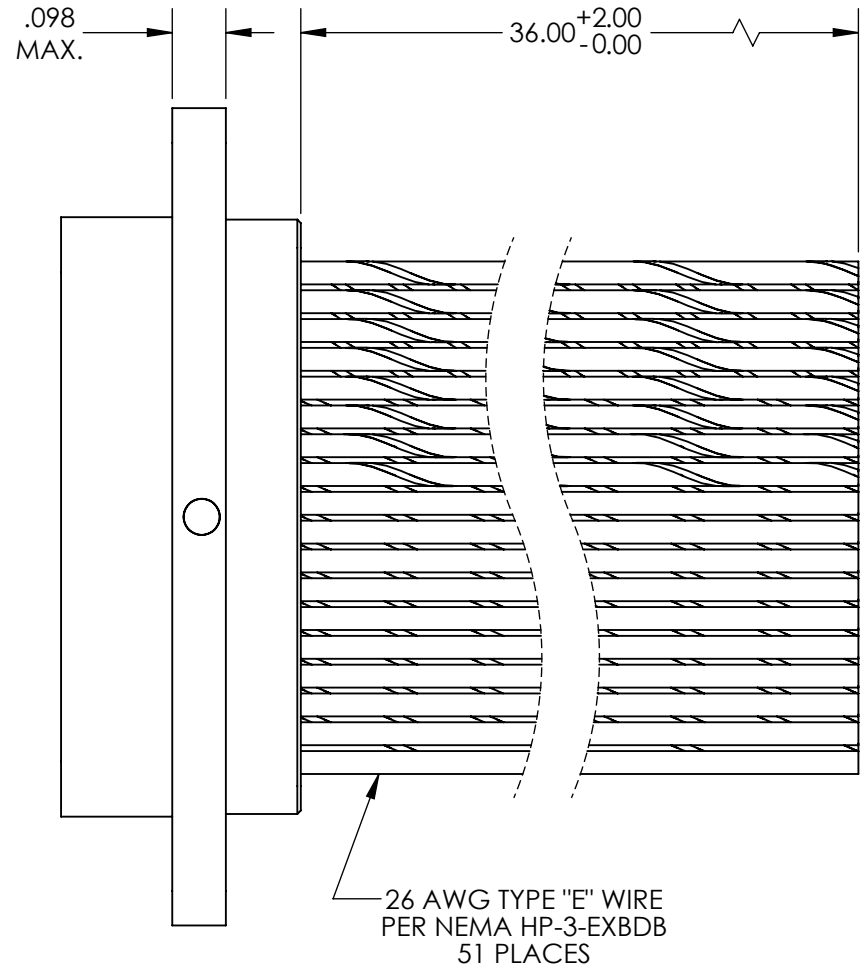
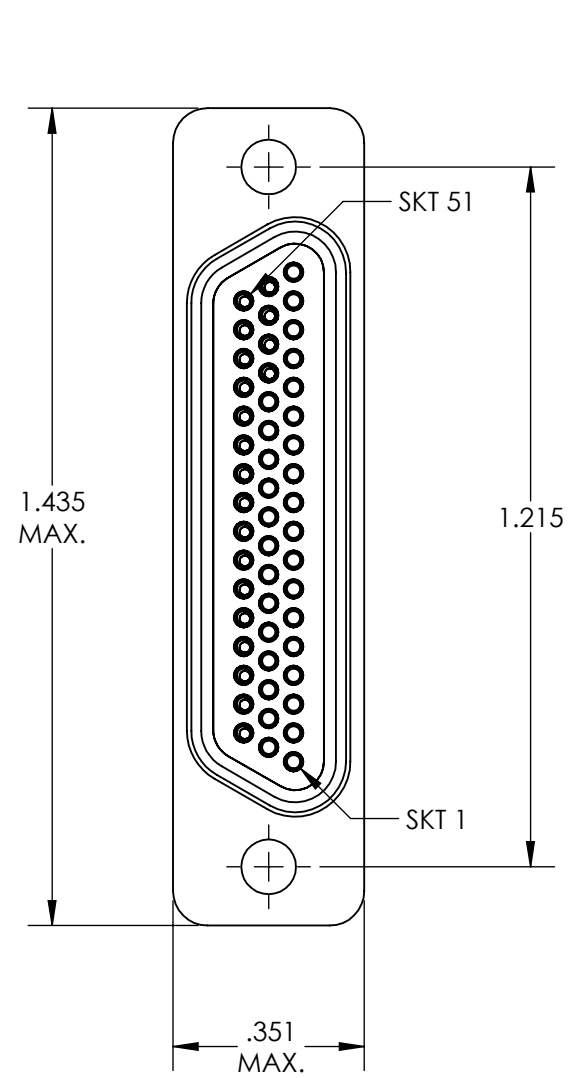


REVISIONS					
DWG. ISSUE	PART REV.	DATE	ECN NO.	APPVD. BY	REL. BY
-	-	07/01/2013	UMI5014	DW	DW

COLOR CODE

1	BLK	27	W/BLK/GRY
2	BRN	28	W/BRN/RED
3	RED	29	W/BRN/ORG
4	ORG	30	W/BRN/YEL
5	YEL	31	W/BRN/GRN
6	GRN	32	W/BRN/BLU
7	BLU	33	W/BRN/VIO
8	VIO	34	W/BRN/GRY
9	GRY	35	W/RED/ORG
10	WHT	36	W/RED/YEL
11	W/BLK	37	W/RED/GRN
12	W/BRN	38	W/RED/BLU
13	W/RED	39	W/RED/VIO
14	W/ORG	40	W/RED/GRY
15	W/YEL	41	W/ORG/YEL
16	W/GRN	42	W/ORG/GRN
17	W/BLU	43	W/ORG/BLU
18	W/VIO	44	W/ORG/VIO
19	W/GRY	45	W/ORG/GRY
20	W/BLK/BRN	46	W/YEL/GRN
21	W/BLK/RED	47	W/YEL/BLU
22	W/BLK/ORG	48	W/YEL/VIO
23	W/BLK/YEL	49	W/YEL/GRY
24	W/BLK/GRN	50	W/GRN/BLU
25	W/BLK/BLU	51	W/GRN/VIO
26	W/BLK/VIO		



4. PERFORMANCE SPECIFICATIONS:
 CURRENT RATING: 3A MAX.
 INSULATION RESISTANCE: 5000 MΩ MIN.
 DWV: 600 VAC
 TEMPERATURE RATING: 125°C
 CONTACT RESISTANCE: 8 mΩ MAX AT 2.5 AMPS

3 MATERIALS:
 SHELL: 6061-T6 ALUMINUM PER AMS-QQ-A200/8, NICKEL PLATED PER AMS 2404
 INSULATOR AND BACKSHELL: PPS PER MIL-M-24519 GST-40F, COLOR: BLK
 SOCKET CONTACTS: C21000 BRASS ALLOY PER ASTM B36, GOLD PLATED PER ASTM B488
 HARDWARE: PASSIVATED STAINLESS STEEL IAW MIL-DTL-83513/5
 INTERFACIAL SEAL: FLUOROSILICONE PER MIL-R-25988

2 MARKINGS: UMI, UMI PART NO., AND DATE CODE
 1. CONNECTOR ASSEMBLY IS IAW MIL-DTL-83513 UNLESS OTHERWISE SPECIFIED

NOTES: UNLESS OTHERWISE SPECIFIED

QUALITY SYMBOLS CRITICAL MAJOR NO SYMBOL = MINOR DIMENSION	UNLESS SPECIFIED: ALL DIMENSIONS IN INCHES GENERAL TOLERANCES: 3 PLACE ±.002 2 PLACE ±.005 ANGULAR ±2°	SCALE 3:1 DWG SIZE B	THIRD ANGLE PROJECTION	REVISE ON CAD ONLY	
	DRAWN BY & DATE JB 07/01/2013	TITLE MICRO-D WIRED CONNECTOR, RECEPTACLE, SIZE 51-3 MR51-3S0-26E5-36.0-S01		MATERIAL	
	CHECKED BY & DATE DW 7-1-2013	APPROVED BY & DATE DW 7-1-2013		PART NO. 834271530 DRAWING NO. SD-834271530	
	CAD FILENAME SD-834271530.slddrw	SHEET NO. 1 OF 1		SHEET NO. 1 OF 1	
	Ulti-Mate CAGE CODE 58967	THIS DRAWING CONTAINS INFORMATION THAT IS PROPRIETARY TO ULTI-MATE INCORPORATED AND SHOULD NOT BE USED WITHOUT WRITTEN PERMISSION.			

