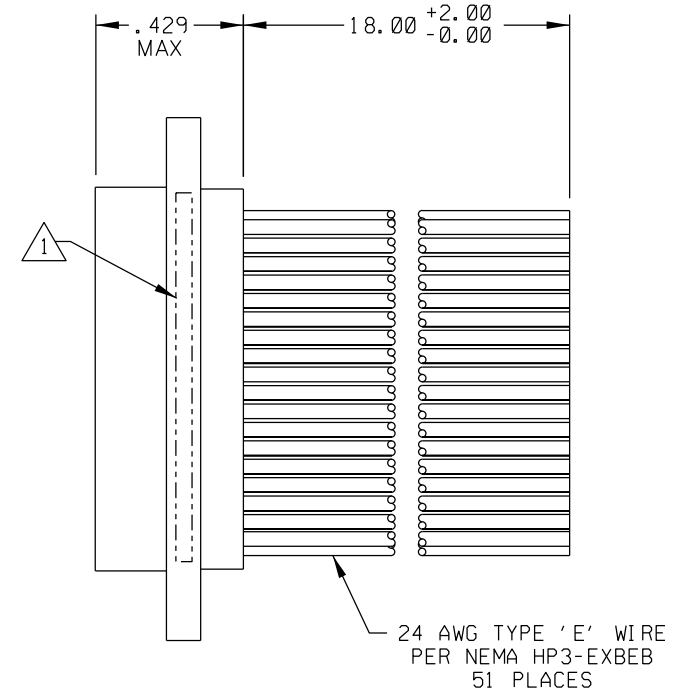
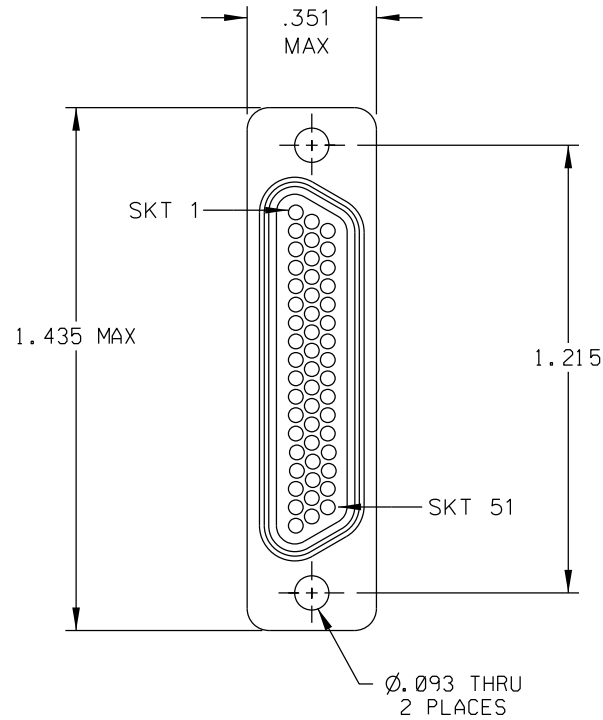


PART REV	DWG ISSUE	DATE	ECN NO.	APPVD BY	REL BY
-	-	4-21-16	UMI 5947	DW	DW

1	BLK
2	BRN
3	RED
4	ORG
5	YEL
6	GRN
7	BLU
8	VIO
9	GRY
10	WHT
11	W/BLK
12	W/BRN
13	W/RED
14	W/ORG
15	W/YEL
16	W/GRN
17	W/BLU
18	W/VIO
19	W/GRY
20	W/BLK/BRN
21	W/BLK/RED
22	W/BLK/ORG
23	W/BLK/YEL
24	W/BLK/GRN
25	W/BLK/BLU

26	W/BLK/VIO
27	W/BLK/GRY
28	W/BRN/RED
29	W/BRN/ORG
30	W/BRN/YEL
31	W/BRN/GRN
32	W/BRN/BLU
33	W/BRN/VIO
34	W/BRN/GRY
35	W/RED/ORG
36	W/RED/YEL
37	W/RED/GRN
38	W/RED/BLU
39	W/RED/VIO
40	W/RED/GRY
41	W/ORG/YEL
42	W/ORG/GRN
43	W/ORG/BLU
44	W/ORG/VIO
45	W/ORG/GRY
46	W/YEL/GRN
47	W/YEL/BLU
48	W/YEL/VIO
49	W/YEL/GRY
50	W/GRN/BLU
51	W/GRN/VIO



2 MATERIALS:  
 SHELL: 6061-T6 ALUMINUM PER AMS-QQ-A200/8, CAD PLATED PER AMS-QQ-P-416  
 SOCKET CONTACTS: C21000 COPPER ALLOY PER ASTM B36, GOLD PLATED PER ASTM B488  
 INTERFACIAL SEAL: FLOUROSILICONE PER MIL-R-25988

1 MARKING: "UMI", UMI DATE CODE, UMI P/N, AND WORK ORDER NUMBER.  
 NOTES: UNLESS OTHERWISE SPECIFIED.

QUALITY SYMBOLS CRITICAL SPECIAL KEY	UNLESS SPECIFIED: ALL DIMENSIONS IN INCHES	SCALE 3:1	DWG SIZE B	THIRD ANGLE PROJECTION	REVISE ON CAD ONLY
	GENERAL TOLERANCES: 3 PLACE ±.005 2 PLACE ±.01 ANGULAR ±2°	DRAWN BY & DATE DW 4-21-16	CHECKED BY & DATE SEE ECN	TITLE: MICRO-D RECEPTACLE, SOCKET CONTACTS, SIZE 51, 24 AWG LEADS, MR51-3S0-24E5-18.0	
	ALL EXTERNAL SPECIFICATIONS REFERENCED ON THIS DRAWING SHALL BE TO THE LATEST REVISION IN EFFECT	APPROVED BY & DATE SEE ECN	CAD FILENAME SD-834270240.DGN	PART NO. 834270240	DRAWING NO. SD-834270240
	Ulti-Mate CAGE CODE <b>58967</b>	THIS DRAWING CONTAINS INFORMATION THAT IS PROPRIETARY TO ULTI-MATE INCORPORATED AND SHOULD NOT BE USED WITHOUT WRITTEN PERMISSION.			SHEET NO. 1 OF 1 PART REV -