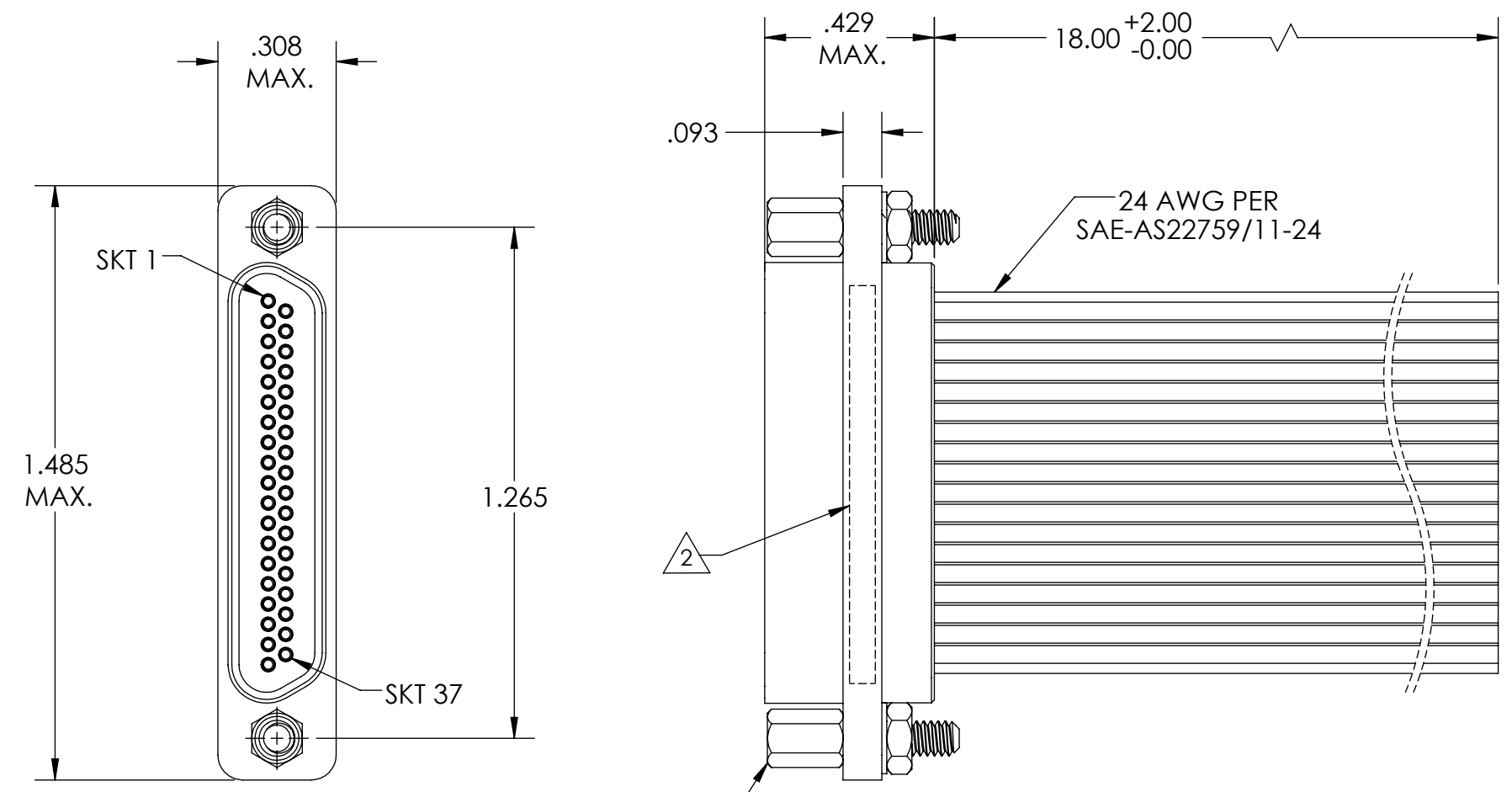
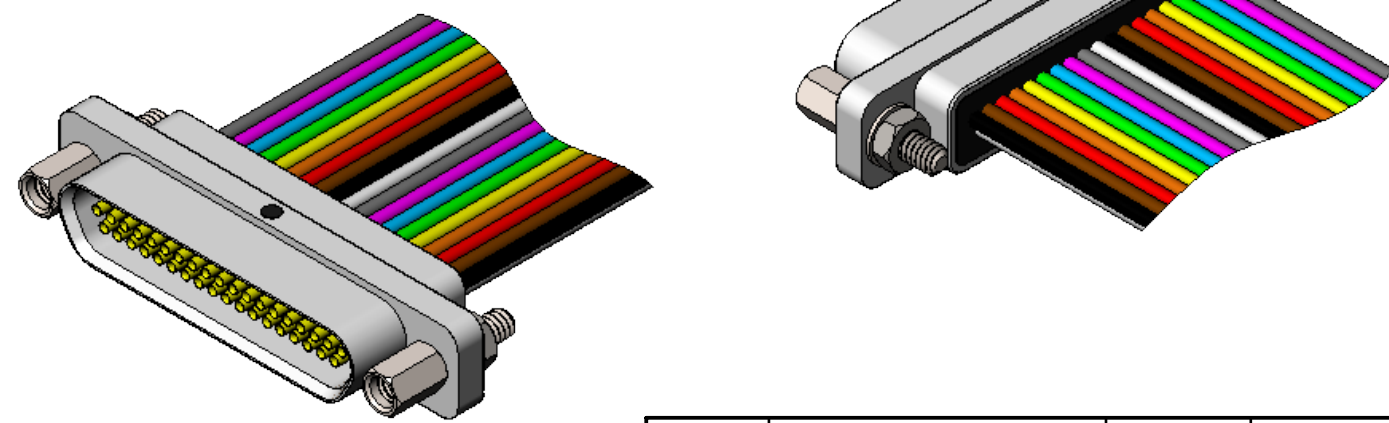


PART REV	DWG ISSUE	DATE	ECN NO.	APPVD BY	REL BY
-	-	9/29/17	UMI6514	DW	DW

F  
E  
D  
C  
B  
A



1	BLK	19	GRY
2	BRN	20	WHT
3	RED	21	BLK
4	ORG	22	BRN
5	YEL	23	RED
6	GRN	24	ORG
7	BLU	25	YEL
8	VIO	26	GRN
9	GRY	27	BLU
10	WHT	28	VIO
11	BLK	29	GRY
12	BRN	30	WHT
13	RED	31	BLK
14	ORG	32	BRN
15	YEL	33	RED
16	GRN	34	ORG
17	BLU	35	YEL
18	VIO	36	GRN
		37	BLU



4. PERFORMANCE SPECIFICATIONS:  
 CURRENT RATING: 3 AMPS MAX.  
 INSULATION RESISTANCE: 5000 MEGOHMS MIN.  
 DWV: 600 VAC  
 TEMPERATURE RATING: 125° C

3 MATERIALS:  
 SHELL: 6061-T6 ALUMINUM PER AMS-QQ-A200/8, NICKEL PLATED PER AMS-2404  
 INSULATOR: PPS PER MIL-M-24519 GST-40F, COLOR: BLACK  
 SOCKET CONTACT: C21000 COPPER ALLOY PER ASTM B36, GOLD PLATED PER ASTM B488  
 HARDWARE: PASSIVATED STAINLESS STEEL IAW MIL-DTL-83513/5  
 WIRE: 24 AWG PER SAE-AS22759/11-24, REPEATING 10 COLORS  
 INTERFACIAL SEAL: FLUOROSILICONE PER MIL-R-25988

2 MARKING: "UMI", DATE CODE, UMI PART NUMBER, UMI WORK ORDER NUMBER

1. CONNECTOR ASSEMBLY IS IAW MIL-DTL-83513 UNLESS OTHERWISE SPECIFIED.  
**NOTES: UNLESS OTHERWISE SPECIFIED.**

QUALITY SYMBOLS CRITICAL C MAJOR ▼ NO SYMBOLS = MINOR DIMENSIONS	UNLESS OTHERWISE SPECIFIED: ALL DIMENSIONS ARE IN INCHES	SCALE: NONE DWG SIZE: B	THIRD ANGLE PROJECTION	REVISE ON CAD ONLY		
	GENERAL TOLERANCES: 3 PLACES ±.005 2 PLACES ±.01 ANGULAR ±2°	DRAWN BY & DATE: DU 9/29/17	TITLE: MICRO-D CONNECTOR ASSEMBLY, MR37S07-24M6-18.0-S01			
		CHECKED BY & DATE: DW 9/29/17	MATERIAL: 3	ENG PROJECT #: NONE		
		APPROVED BY & DATE: DW 9/29/17	PART NO.: 834261887		DRAWING NO.: SD-834261887	
ULTI-MATE CAGE CODE: 58967		CAD FILE NAME: SD-834261887.SLDDRW	SHEET NO.: 1 of 1		PART REV.: -	
THIS DRAWING CONTAINS INFORMATION THAT IS PROPRIETARY TO ULTI-MATE INCORPORATED AND SHOULD NOT BE USED WITHOUT WRITTEN PERMISSION.						

