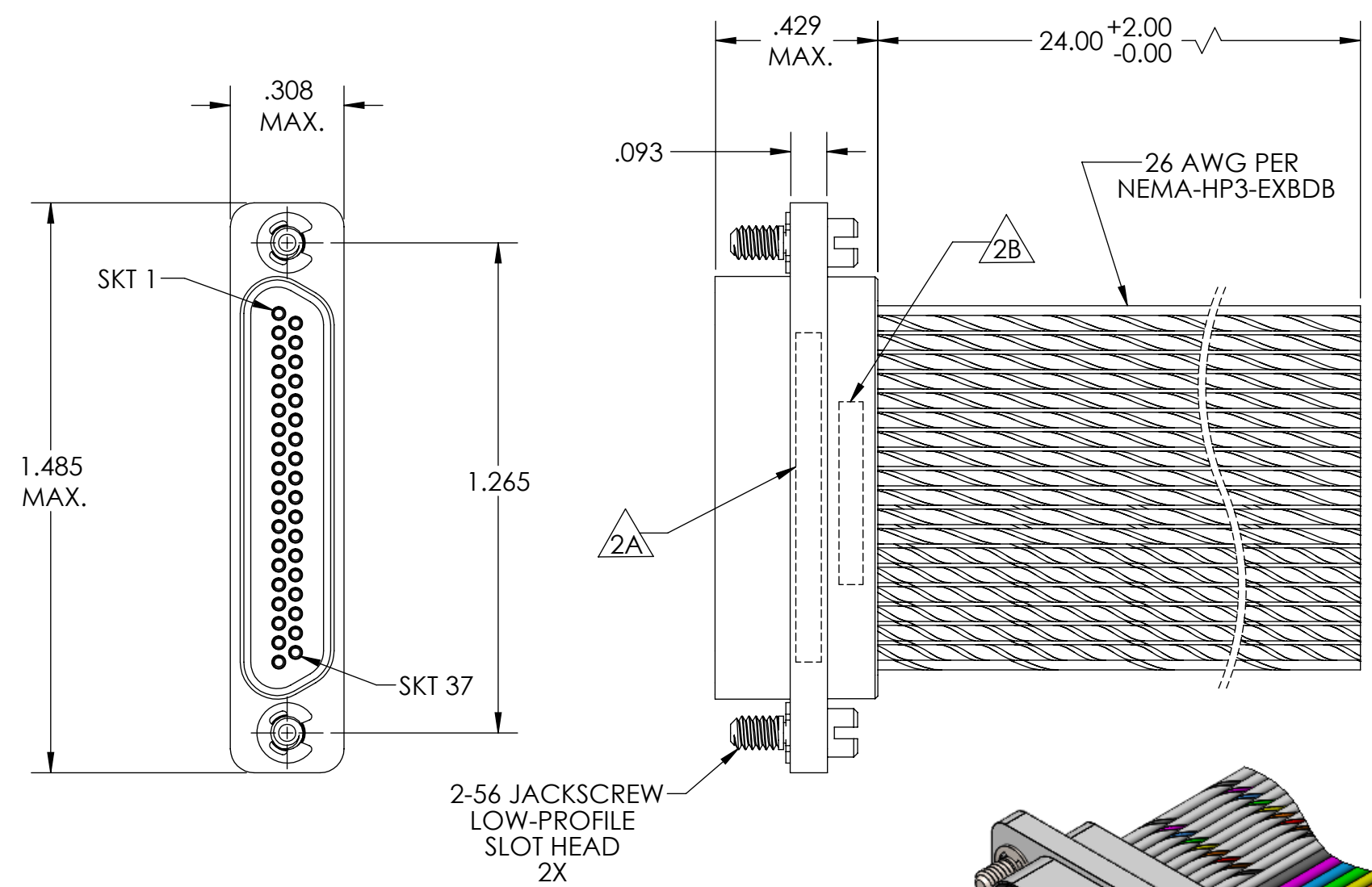
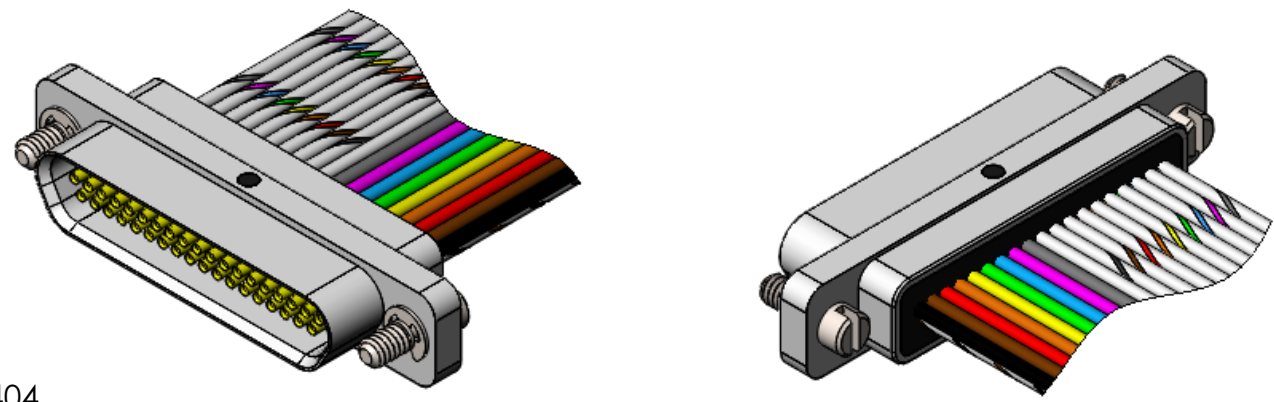


PART REV	DWG ISSUE	DATE	ECN NO.	APPVD BY	REL BY
-	-	6/7/16	UMI5989	DW	DW

F
E
D
C
B
A



1	BLK	19	W/GRY
2	BRN	20	W/BLK/BRN
3	RED	21	W/BLK/RED
4	ORG	22	W/BLK/ORG
5	YEL	23	W/BLK/YEL
6	GRN	24	W/BLK/GRN
7	BLU	25	W/BLK/BLU
8	VIO	26	W/BLK/VIO
9	GRY	27	W/BLK/GRY
10	WHT	28	W/BRN/RED
11	W/BLK	29	W/BRN/ORG
12	W/BRN	30	W/BRN/YEL
13	W/RED	31	W/BRN/GRN
14	W/ORG	32	W/BRN/BLU
15	W/YEL	33	W/BRN/VIO
16	W/GRN	34	W/BRN/GRY
17	W/BLU	35	W/RED/ORG
18	W/VIO	36	W/RED/YEL
		37	W/RED/GRN



4. PERFORMANCE SPECIFICATIONS:
 CURRENT RATING: 3 AMPS MAX.
 INSULATION RESISTANCE: 5000 MEGOHMS MIN.
 DWV: 600 VAC
 TEMPERATURE RATING: 125° C

3 MATERIALS:
 SHELL: 6061-T6 ALUMINUM PER AMS-QQ-A200/8, NICKEL PLATED PER AMS-2404
 INSULATOR: PPS PER MIL-M-24519 GST-40F, COLOR: BLACK
 SOCKET CONTACT: C21000 COPPER ALLOY PER ASTM B36, GOLD PLATED PER ASTM B488
 WIRE: 26 AWG PER NEMA-HP3-EXBDB, COLOR CODE PER MIL-STD-681
 HARDWARE: PASSIVATED STAINLESS STEEL IAW MIL-DTL-83513/5
 INTERFACIAL SEAL: FLUOROSILICONE PER MIL-R-25988

2. MARKING:
 2A "UMI", DATE CODE, UMI PART NUMBER
 2B UMI WORK ORDER NUMBER

1. CONNECTOR ASSEMBLY IS IAW MIL-DTL-83513 UNLESS OTHERWISE SPECIFIED.
NOTES: UNLESS OTHERWISE SPECIFIED.

QUALITY SYMBOLS CRITICAL MAJOR NO SYMBOLS = MINOR DIMENSIONS	UNLESS OTHERWISE SPECIFIED: ALL DIMENSIONS ARE IN INCHES	SCALE NONE	DWG SIZE B	THIRD ANGLE PROJECTION 	REVISE ON CAD ONLY	
	GENERAL TOLERANCES: 3 PLACES ±.005 2 PLACES ±.01 ANGULAR ±2°	DRAWN BY & DATE DU 6/7/16	TITLE: MICRO-D CONNECTOR ASSEMBLY, MR37S05-26E5-24.0-S01			
	ULTI-MATE CAGE CODE 58967	CHECKED BY & DATE DW 6/7/16	MATERIAL: 3		ENG PROJECT #: NONE	 Connector Inc.
		APPROVED BY & DATE DW 6/7/16	PART NO. 834261475	DRAWING NO. SD-834261475	SHEET NO. 1 of 1	
		CAD FILE NAME SD-834261475.SLDDRW	THIS DRAWING CONTAINS INFORMATION THAT IS PROPRIETARY TO ULTI-MATE INCORPORATED AND SHOULD NOT BE USED WITHOUT WRITTEN PERMISSION.			
					PART REV. -	