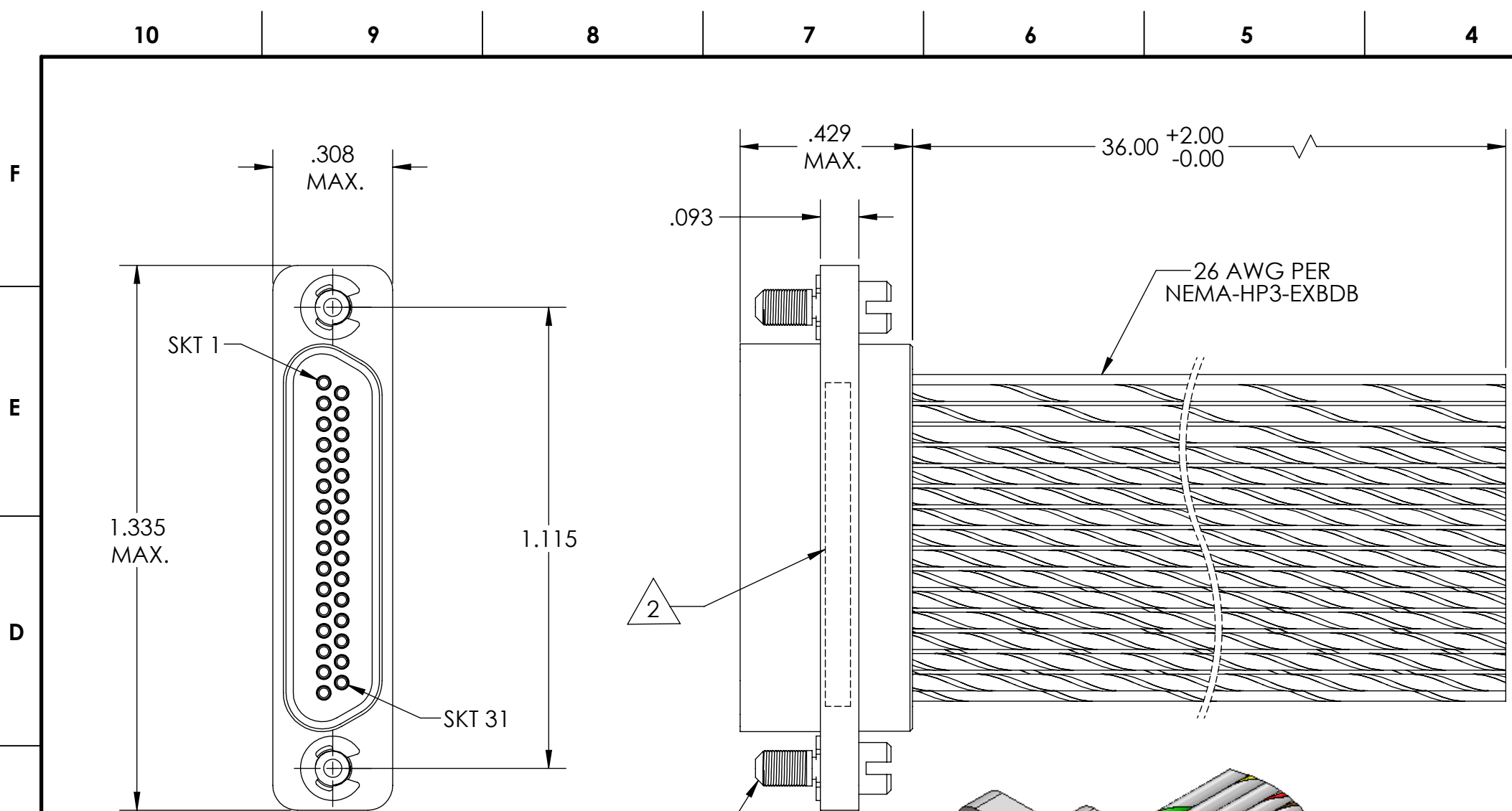
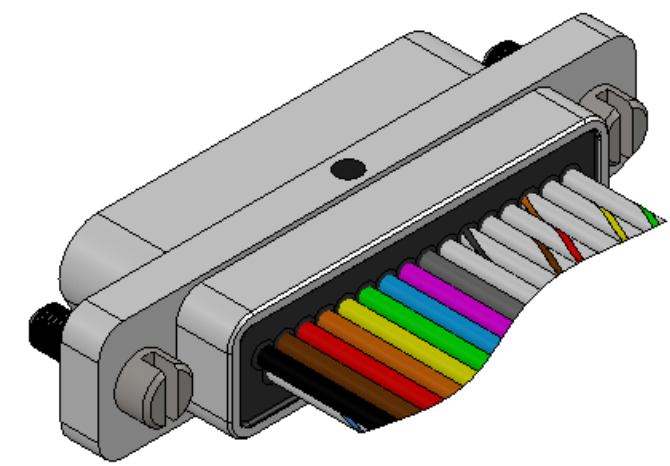
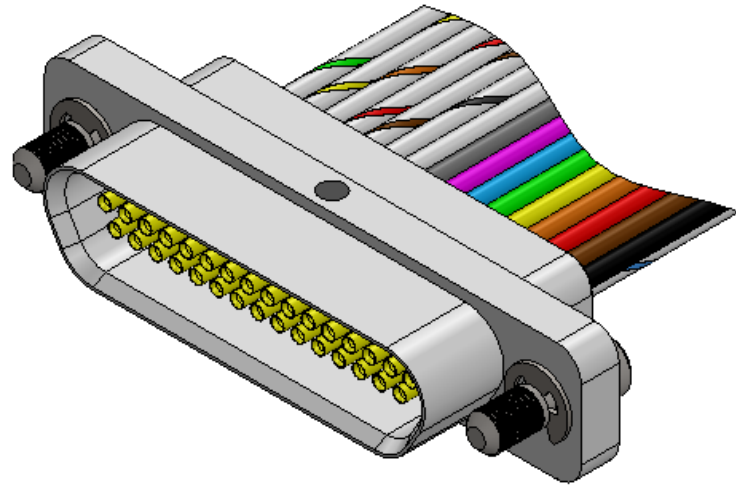


PART REV	DWG ISSUE	DATE	ECN NO.	APPVD BY	REL BY
-	-	6/26/14	UMI5355	DW	DW



1	BLK	17	W/BLU
2	BRN	18	W/VIO
3	RED	19	W/GRY
4	ORG	20	W/BLK/BRN
5	YEL	21	W/BLK/RED
6	GRN	22	W/BLK/ORG
7	BLU	23	W/BLK/YEL
8	VIO	24	W/BLK/GRN
9	GRY	25	W/BLK/BLU
10	WHT	26	W/BLK/VIO
11	W/BLK	27	W/BLK/GRY
12	W/BRN	28	W/BRN/RED
13	W/RED	29	W/BRN/ORG
14	W/ORG	30	W/BRN/YEL
15	W/YEL	31	W/BRN/GRN
16	W/GRN		



4. PERFORMANCE SPECIFICATIONS:
 CURRENT RATING: 3 AMPS MAX.
 INSULATION RESISTANCE: 5000 MEGOHMS MIN.
 DWV: 600 VAC
 TEMPERATURE RATING: 125° C

3 MATERIALS:
 SHELL: 6061-T6 ALUMINUM PER AMS-QQ-A200/8, NICKEL PLATED PER AMS-2404
 INSULATOR: PPS PER MIL-M-24519 GST-40F, COLOR: BLACK
 SOCKET CONTACTS: C21000 COPPER ALLOY PER ASTM B36, GOLD PLATED PER ASTM B488
 WIRE: 26 AWG PER NEMA-HP3-EXBDB, COLOR CODE: PER MIL-STD-681
 HARDWARE: PASSIVATED STAINLESS STEEL IAW MIL-DTL-83513/5
 INTERFACIAL SEAL: FLUOROSILICONE PER MIL-R-25988

2 MARKING: "UMI", DATE CODE, UMI PART NUMBER

1. CONNECTOR ASSEMBLY IS IAW MIL-DTL-83513 UNLESS OTHERWISE SPECIFIED.

NOTES: UNLESS OTHERWISE SPECIFIED.

QUALITY SYMBOLS CRITICAL C MAJOR NO SYMBOLS = MINOR DIMENSIONS	UNLESS OTHERWISE SPECIFIED: ALL DIMENSIONS ARE IN INCHES	SCALE 3 : 1	DWG SIZE B	THIRD ANGLE PROJECTION	REVISE ON CAD ONLY
	GENERAL TOLERANCES: 3 PLACES ±.005 2 PLACES ±.01 ANGULAR ±2°	DRAWN BY & DATE DU 6/26/14	TITLE: MICRO-D CONNECTOR ASSEMBLY, "MR" SERIES, MR31S05-26E5-36.0-S01		
	ULTI-MATE CAGE CODE 58967	CHECKED BY & DATE DW 6/26/14	MATERIAL: 3	ENG PROJECT #: NONE	SHEET NO. 1 of 1 PART REV. -
		APPROVED BY & DATE DW 6/26/14	PART NO. 834251535	DRAWING NO. SD-834251535	
CAD FILE NAME SD-834251535.SLDDRW		THIS DRAWING CONTAINS INFORMATION THAT IS PROPRIETARY TO ULTI-MATE INCORPORATED AND SHOULD NOT BE USED WITHOUT WRITTEN PERMISSION.			

