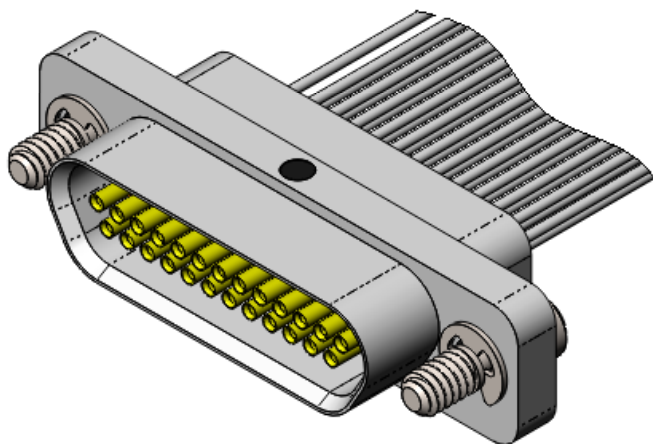
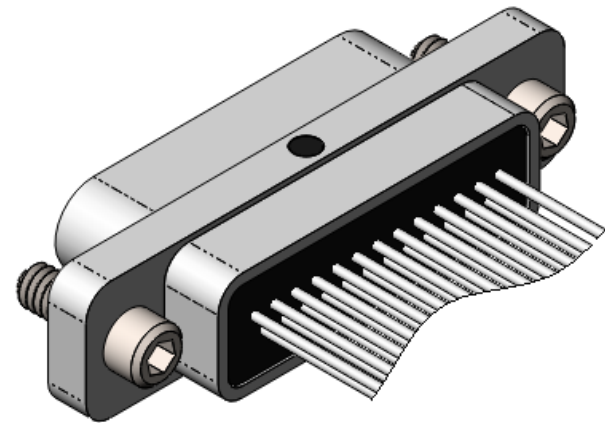
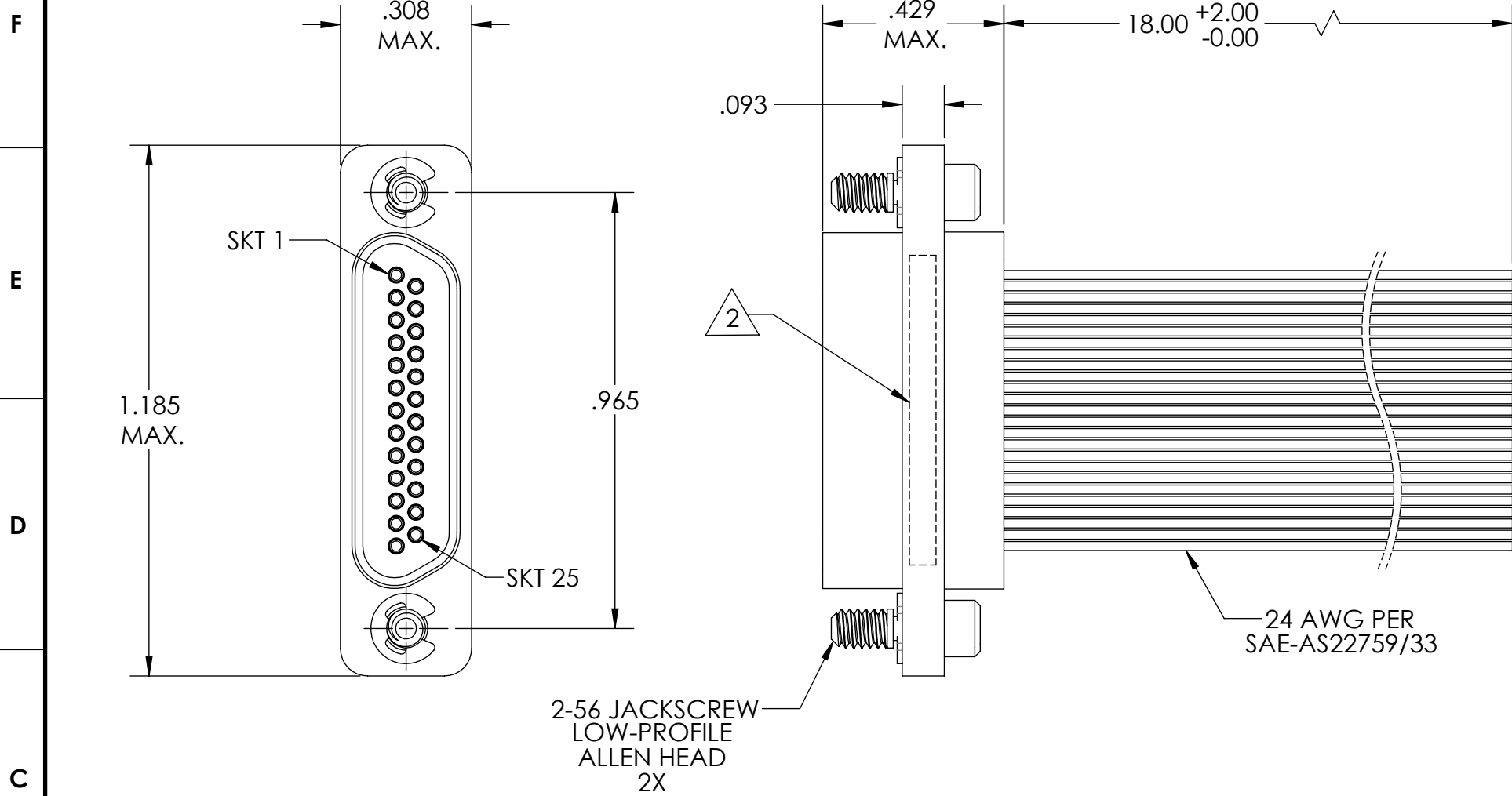


PART REV	DWG ISSUE	DATE	ECN NO.	APPVD BY	REL BY
-	-	6/3/15	UMI5630	DW	DW



1	WHT
2	WHT
3	WHT
4	WHT
5	WHT
6	WHT
7	WHT
8	WHT
9	WHT
10	WHT
11	WHT
12	WHT
13	WHT
14	WHT
15	WHT
16	WHT
17	WHT
18	WHT
19	WHT
20	WHT
21	WHT
22	WHT
23	WHT
24	WHT
25	WHT

4. PERFORMANCE SPECIFICATIONS:  
 CURRENT RATING: 3 AMPS MAX.  
 INSULATION RESISTANCE: 5000 MEGOHMS MIN.  
 DWV: 600 VAC  
 TEMPERATURE RATING: 125° C

3 MATERIALS:  
 SHELL: 6061-T6 ALUMINUM PER AMS-QQ-A200/8, NICKEL PLATED PER AMS-2404  
 INSULATOR: PPS PER MIL-M-24519 GST-40F, COLOR: BLACK  
 SOCKET CONTACT: C21000 COPPER ALLOY PER ASTM B36, GOLD PLATED PER ASTM B488  
 WIRE: 24 AWG PER SAE-AS22759/33-24, ALL WHITE  
 HARDWARE: PASSIVATED STAINLESS STEEL IAW MIL-DTL-83513/5  
 INTERFACIAL SEAL: FLUOROSILICONE PER MIL-R-25988

2 MARKING: "UMI", DATE CODE, UMI PART NUMBER  
 1. CONNECTOR ASSEMBLY IS IAW MIL-DTL-83513 UNLESS OTHERWISE SPECIFIED.

NOTES: UNLESS OTHERWISE SPECIFIED.

QUALITY SYMBOLS CRITICAL MAJOR NO SYMBOLS = MINOR DIMENSIONS	UNLESS OTHERWISE SPECIFIED: ALL DIMENSIONS ARE IN INCHES	SCALE 3:1	DWG SIZE B	THIRD ANGLE PROJECTION	REVISE ON CAD ONLY	
	GENERAL TOLERANCES:  3 PLACES ±.005 2 PLACES ±.01 ANGULAR ±2°	DRAWN BY & DATE DU 6/3/15	TITLE: MICRO-D CONNECTOR ASSEMBLY, MR25S02-24Y1-18.0-S01			
	ULTI-MATE CAGE CODE 58967	CHECKED BY & DATE DW 6/3/15	MATERIAL: 3	ENG PROJECT #: NONE		
		APPROVED BY & DATE DW 6/3/15	PART NO. 834241862	DRAWING NO. SD-834241862	SHEET NO. 1 of 1	
		CAD FILE NAME SD-834241862.SLDDRW	THIS DRAWING CONTAINS INFORMATION THAT IS PROPRIETARY TO ULTI-MATE INCORPORATED AND SHOULD NOT BE USED WITHOUT WRITTEN PERMISSION.			