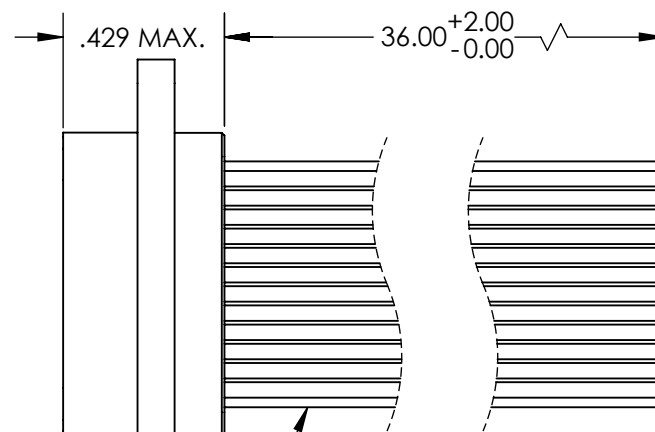
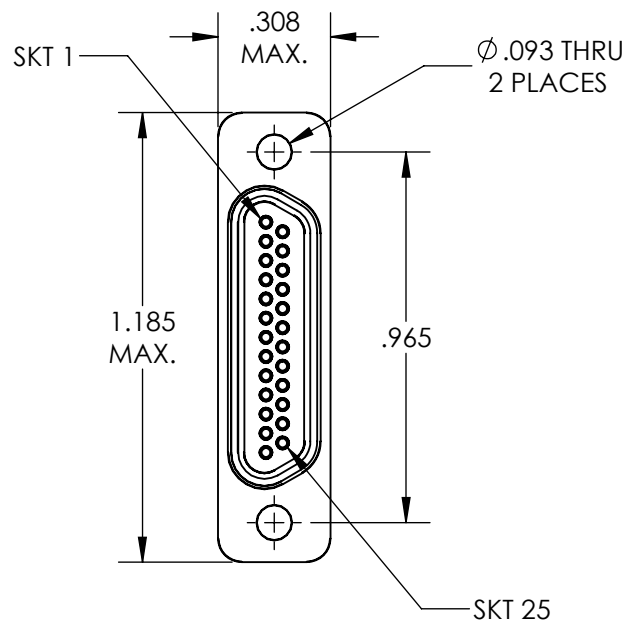


REVISIONS

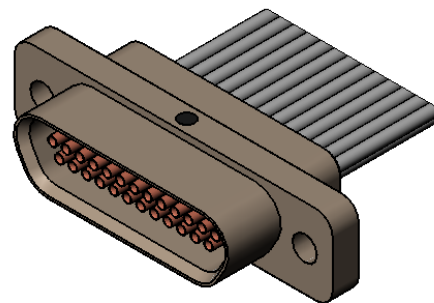
DWG. ISSUE	PART REV.	ECN NO.	DATE
-	-	UMI4732	09/26/2012
-	-		

COLOR CODE

1	BLK
2	BRN
3	RED
4	ORG
5	YEL
6	GRN
7	BLU
8	VIO
9	GRY
10	WHT
11	W/BLK
12	W/BRN
13	W/RED
14	W/ORG
15	W/YEL
16	W/GRN
17	W/BLU
18	W/VIO
19	W/GRY
20	W/BLK/BRN
21	W/BLK/RED
22	W/BLK/ORG
23	W/BLK/YEL
24	W/BLK/GRN
25	W/BLK/BLU



26 AWG TYPE "E" WIRE PER NEMA HP-3-EXBDB 25 PLACES



3. PERFORMANCE SPECIFICATIONS:
 CURRENT RATING: 3A MAX.
 INSULATION RESISTANCE: 5000 MΩ MIN.
 DWV: 600 VAC
 TEMPERATURE RATING: 125°C
 CONTACT RESISTANCE: 8 mΩ MAX AT 2.5 AMPS

MATERIALS:
 SHELL: 6061-T6 ALUMINUM PER AMS-QQ-A200/8, NICKEL PLATED PER AMS 2404
 INSULATOR: PPS PER MIL-M-24519 GST-40F, COLOR: BLK
 SOCKET CONTACTS: C21000 BRASS ALLOY PER ASTM B36, GOLD PLATED PER ASTM B488
 INTERFACIAL SEAL: FLUOROSILICONE PER MIL-R-25988

1. MARKINGS: UMI, UMI PART NO., AND DATE CODE

NOTES: UNLESS OTHERWISE SPECIFIED

QUALITY SYMBOLS MAJOR CRITICAL SPC 	UNLESS SPECIFIED: ALL DIMENSIONS IN INCHES GENERAL TOLERANCES: 3 PLACE ±.005 2 PLACE ±.01 ANGULAR ±2°
	DO NOT SCALE THIRD ANGLE PROJECTION UMI-Mate CAGE CODE 58967



WWW.UMI-C.COM

THIS DRAWING CONTAINS INFORMATION THAT IS PROPRIETARY TO ULTI-MATE INCORPORATED AND SHOULD NOT BE USED WITHOUT WRITTEN PERMISSION.

TITLE: CONNECTOR, RECEPTACLE, SIZE 25, MR25S0-26E5-36.0-S01	
DRAWN BY & DATE: J.BUZOIANU 09/26/2012	SCALE: 2:1
MATERIAL:	SHEET: 1 OF 1
CAD FILENAME: SD-834241530.slddrw	PART NO. 834241530
	REV. -