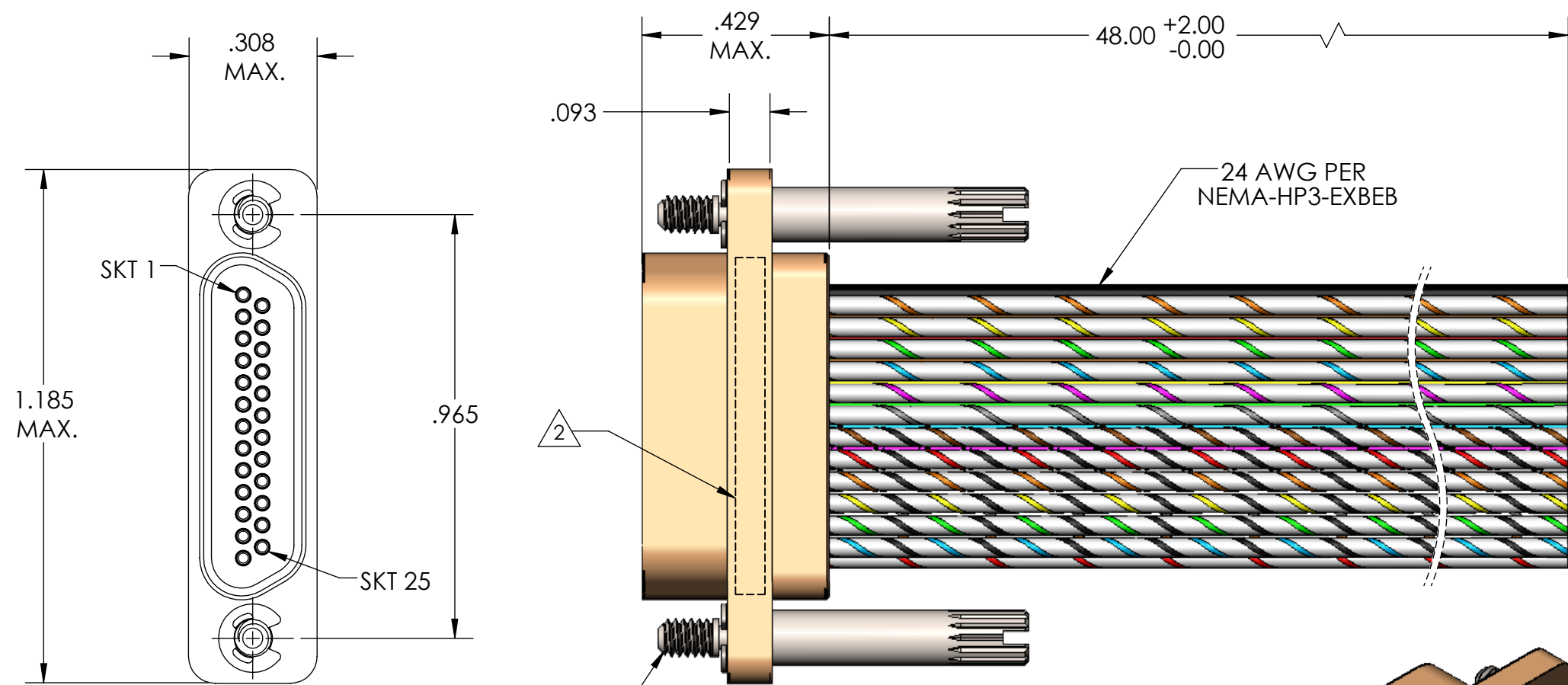


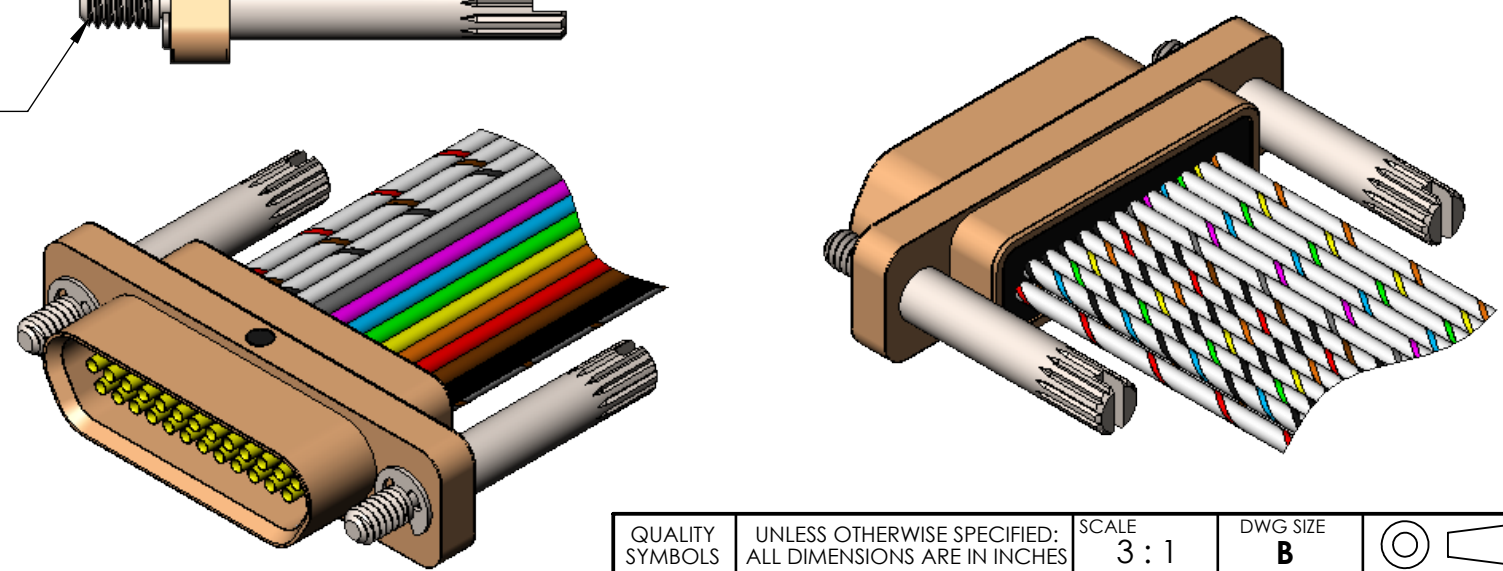
PART REV	DWG ISSUE	DATE	ECN NO.	APPVD BY	REL BY
-	-	6/15/18	UMI6809	DW	DW

F  
E  
D  
C  
B  
A



1	BLK
2	BRN
3	RED
4	ORG
5	YEL
6	GRN
7	BLU
8	VIO
9	GRY
10	WHT
11	W/BLK
12	W/BRN
13	W/RED
14	W/ORG
15	W/YEL
16	W/GRN
17	W/BLU
18	W/VIO
19	W/GRY
20	W/BLK/BRN
21	W/BLK/RED
22	W/BLK/ORG
23	W/BLK/YEL
24	W/BLK/GRN
25	W/BLK/BLU

2-56 JACKSCREW  
HIGH-PROFILE  
SLOTTED HEAD  
2X



4. PERFORMANCE SPECIFICATIONS:  
CURRENT RATING: 3 AMPS MAX.  
INSULATION RESISTANCE: 5000 MEGOHMS MIN.  
DWV: 600 VAC  
TEMPERATURE RATING: 125° C

3 MATERIALS:  
SHELL: 6061-T6 ALUMINUM PER AMS-QQ-A200/8, CADMIUM PLATED PER AMS-QQ-P-416  
INSULATOR: PPS PER MIL-M-24519 GST-40F, COLOR: BLACK  
SOCKET CONTACT: C21000 COPPER ALLOY PER ASTM B36, GOLD PLATED PER ASTM B488  
HARDWARE: PASSIVATED STAINLESS STEEL IAW MIL-DTL-83513/5  
WIRE: 24 AWG PER NEMA-HP3-EXBEB, COLOR CODE: PER MIL-STD-681  
INTERFACIAL SEAL: FLUOROSILICONE PER MIL-R-25988

2 MARKING: "UMI", DATE CODE, UMI PART NUMBER, UMI WORK ORDER NUMBER

1. CONNECTOR ASSEMBLY IS IAW MIL-DTL-83513 UNLESS OTHERWISE SPECIFIED.

NOTES: UNLESS OTHERWISE SPECIFIED.

QUALITY SYMBOLS CRITICAL MAJOR NO SYMBOLS = MINOR DIMENSIONS	UNLESS OTHERWISE SPECIFIED: ALL DIMENSIONS ARE IN INCHES	SCALE 3:1	DWG SIZE B	THIRD ANGLE PROJECTION	REVISE ON CAD ONLY	
	GENERAL TOLERANCES:  3 PLACES ±.005 2 PLACES ±.01 ANGULAR ±2°	DRAWN BY & DATE DU 6/15/18	TITLE: MICRO-D CONNECTOR ASSEMBLY, MR25S06-24E5-48.0			
	ULTI-MATE CAGE CODE 58967	CHECKED BY & DATE DW 6/15/18	MATERIAL: 3	ENG PROJECT #: NONE		
		APPROVED BY & DATE DW 6/15/18	PART NO. 834240606	DRAWING NO. SD-834240606	SHEET NO. 1 of 1	
		CAD FILE NAME SD-834240606.SLDDRW	THIS DRAWING CONTAINS INFORMATION THAT IS PROPRIETARY TO ULTI-MATE INCORPORATED AND SHOULD NOT BE USED WITHOUT WRITTEN PERMISSION.			
				PART REV. -		