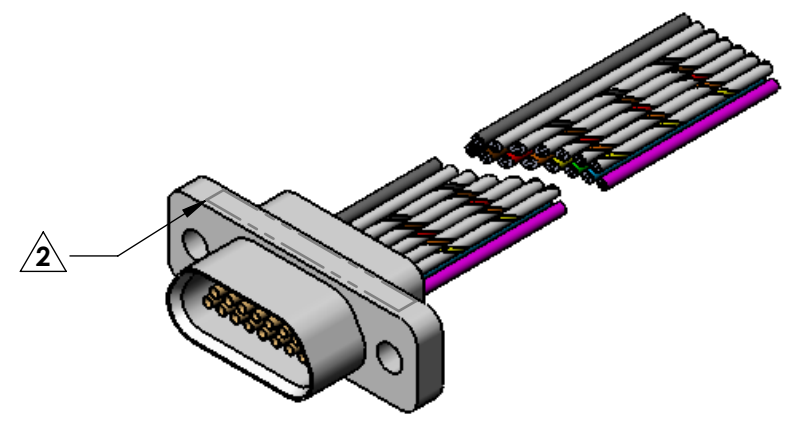
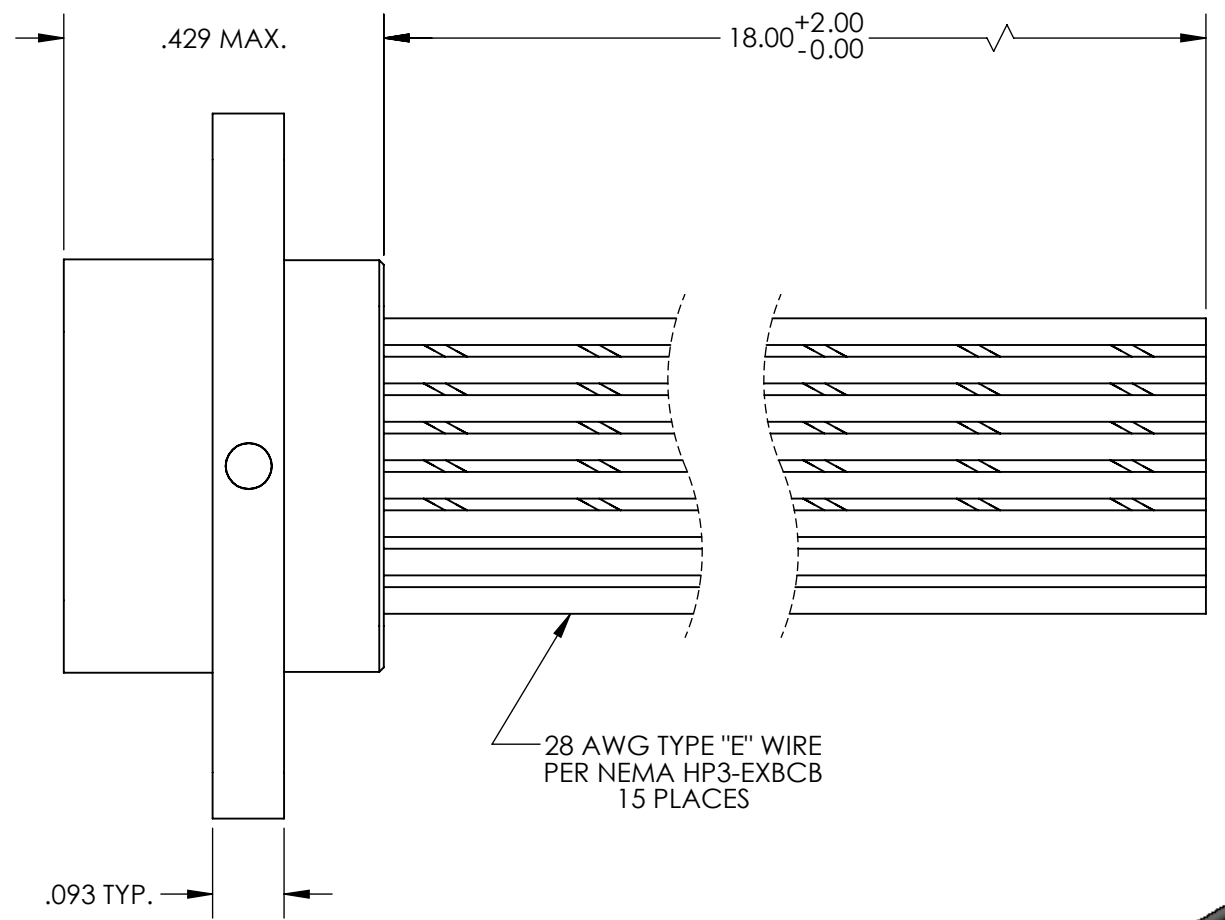
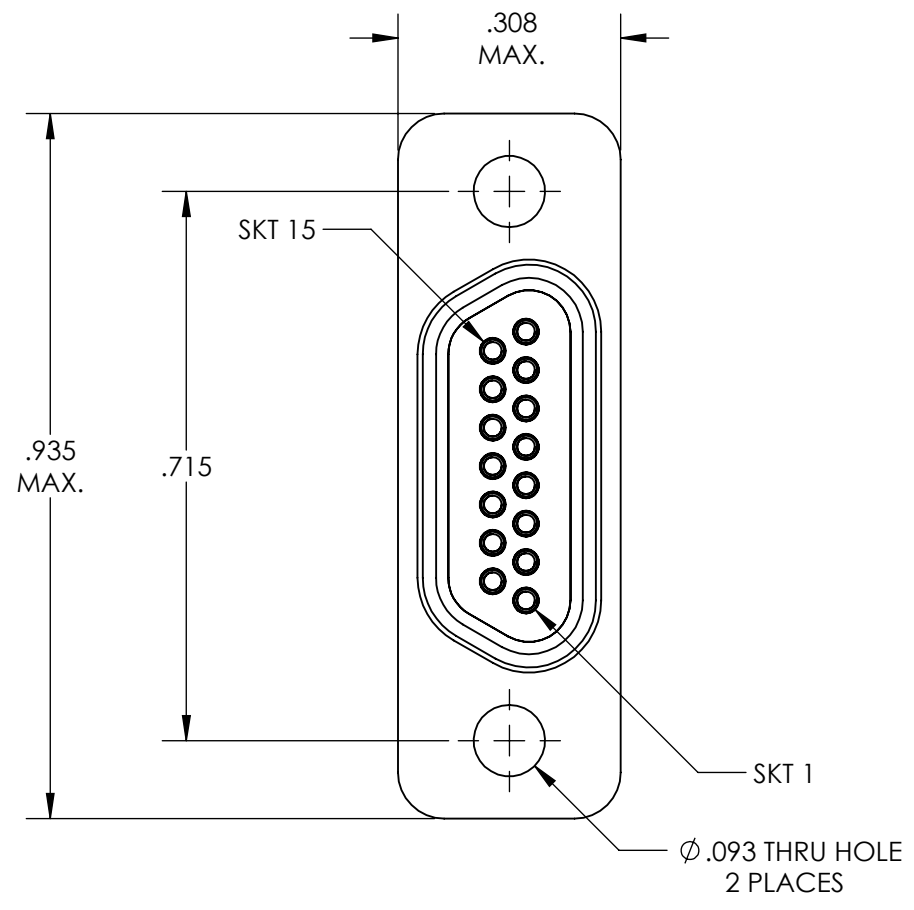


| REVISIONS | | | | | |
|-----------|------------|------------|---------|-----------|---------|
| PART REV. | DWG. ISSUE | DATE | ECN NO. | APPVD. BY | REL. BY |
| - | - | 09/16/2013 | UMI5103 | DW | DW |
| | | | | | |

COLOR CODE

| | |
|----|-------|
| 1 | BLK |
| 2 | BRN |
| 3 | RED |
| 4 | ORG |
| 5 | YEL |
| 6 | GRN |
| 7 | BLU |
| 8 | VIO |
| 9 | GRY |
| 10 | WHT |
| 11 | W/BLK |
| 12 | W/BRN |
| 13 | W/RED |
| 14 | W/ORG |
| 15 | W/YEL |



4. PERFORMANCE SPECIFICATIONS:
 CURRENT RATING: 3A MAX.
 INSULATION RESISTANCE: 5000 MΩ MIN.
 DWV: 600 VAC
 TEMPERATURE RATING: 125°C
 CONTACT RESISTANCE: 8 mΩ MAX AT 2.5 AMPS

3. MATERIALS:
 SHELL: 6061-T6 ALUMINUM PER AMS-QQ-A200/8, NICKEL PLATED PER AMS 2404
 INSULATOR AND BACKSHELL: PPS PER MIL-M-24519 GST-40F, COLOR: BLK
 SOCKET CONTACTS: C21000 BRASS ALLOY PER ASTM B36, GOLD PLATED PER ASTM B488
 HARDWARE: PASSIVATED STAINLESS STEEL IAW MIL-DTL-83513/5
 INTERFACIAL SEAL: FLUOROSILICONE PER MIL-R-25988

2. MARKINGS: UMI, UMI PART NO., AND DATE CODE
 1. CONNECTOR ASSEMBLY IS IAW MIL-DTL-83513 UNLESS OTHERWISE SPECIFIED

NOTES: UNLESS OTHERWISE SPECIFIED

| | | | | | | |
|---|---|--|-----------------------------|----------------------------|---------------------------|--|
| QUALITY SYMBOLS CRITICAL MAJOR NO SYMBOL = MINOR DIMENSION | UNLESS SPECIFIED: ALL DIMENSIONS IN INCHES GENERAL TOLERANCES: 3 PLACE ±.005 2 PLACE ±.01 ANGULAR ±2° ALL EXTERNAL SPECIFICATIONS REFERENCED ON THIS DRAWING SHALL BE THE LATEST REVISION IN EFFECT Ulti-Mate CAGE CODE 58967 | SCALE 4:1 | DWG SIZE B | THIRD ANGLE PROJECTION | REVISE ON CAD ONLY | |
| | DRAWN BY & DATE JB 09/16/2013 | TITLE MICRO-D WIRED CONNECTOR, RECEPTACLE, SIZE 15 MR 15S0-28E5-18.0-S01 | | MATERIAL 3 | | |
| | CHECKED BY & DATE DW 9-20-13 | APPROVED BY & DATE DW 9-20-13 | | ENG PROJECT # | | |
| | CAD FILENAME SD-834221230.slddrw | PART NO. 834221230 | DRAWING NO. SD-834221230 | SHEET NO. 1 OF 1 | | |
| | THIS DRAWING CONTAINS INFORMATION THAT IS PROPRIETARY TO ULTI-MATE INCORPORATED AND SHOULD NOT BE USED WITHOUT WRITTEN PERMISSION. | | | PART REV. - | | |