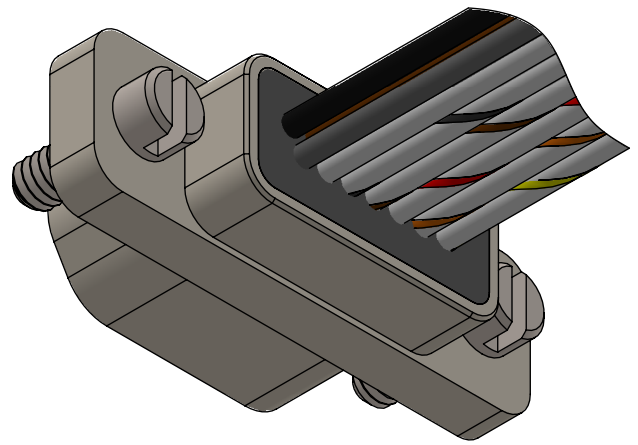
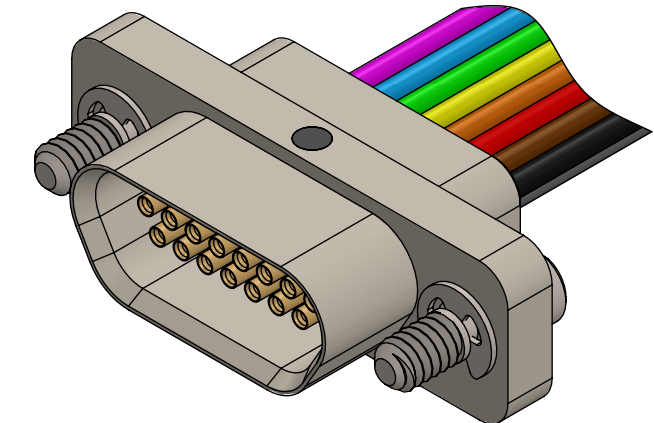
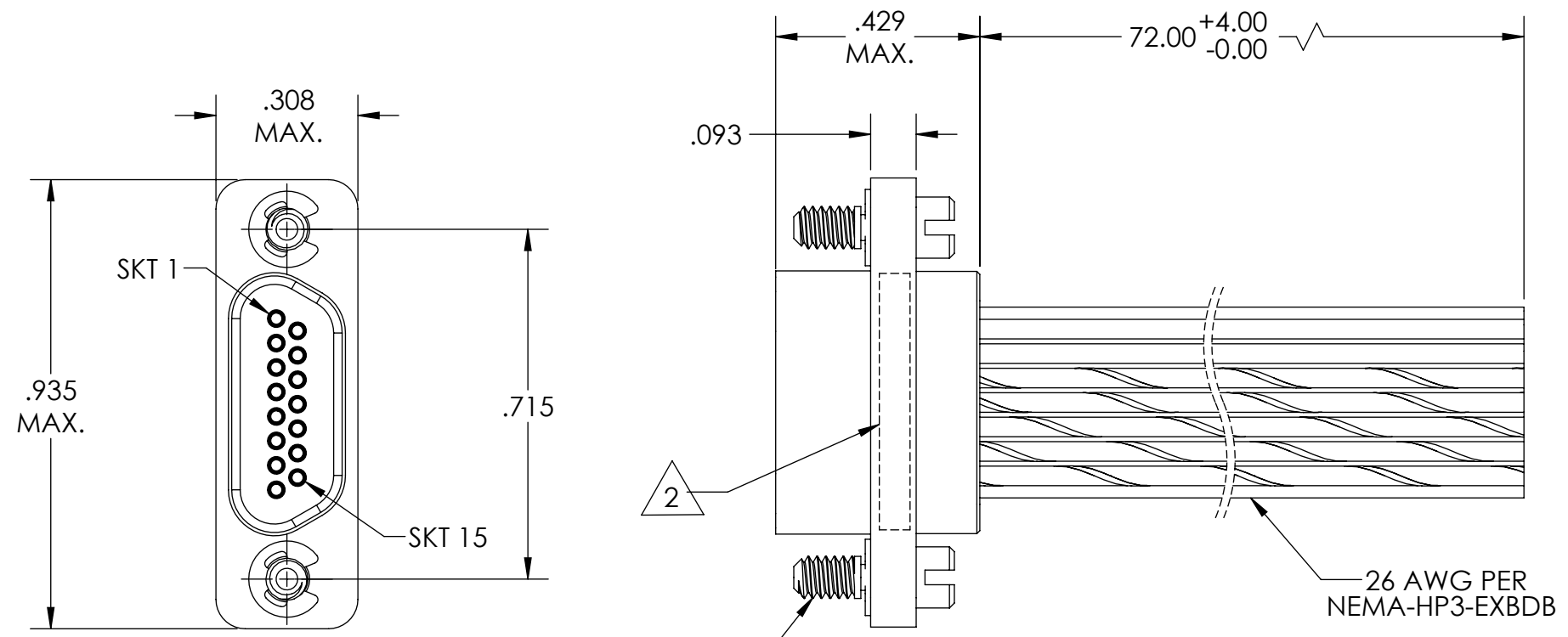


| PART REV | DWG ISSUE | DATE     | ECN NO. | APPVD BY | REL BY |
|----------|-----------|----------|---------|----------|--------|
| -        | -         | 03/19/19 | UMI7078 | FA       | DW     |
|          |           |          |         |          |        |
|          |           |          |         |          |        |

F  
E  
D  
C  
B  
A



2-56 JACKSCREW  
LOW PROFILE  
SLOT HEAD  
2X

|    |       |
|----|-------|
| 1  | BLK   |
| 2  | BRN   |
| 3  | RED   |
| 4  | ORG   |
| 5  | YEL   |
| 6  | GRN   |
| 7  | BLU   |
| 8  | VIO   |
| 9  | GRY   |
| 10 | WHT   |
| 11 | W/BLK |
| 12 | W/BRN |
| 13 | W/RED |
| 14 | W/ORG |
| 15 | W/YEL |

4. PERFORMANCE SPECIFICATIONS:  
CURRENT RATING: 3 AMPS MAX.  
INSULATION RESISTANCE: 5000 MEGOHMS MIN.  
DWV: 600 VAC  
TEMPERATURE RATING: 125° C

3 MATERIALS:  
SHELL: 6061-T6 ALUMINUM PER AMS-QQ-A200/8, NICKEL PLATED PER AMS-2404  
INSULATOR: PPS PER MIL-M-24519 GST-40F, COLOR: BLACK  
SOCKET CONTACTS: C21000 COPPER ALLOY PER ASTM B36, GOLD PLATED PER ASTM B488  
WIRE: 26 AWG PER NEMA-HP3-EXBDB, COLOR CODE PER MIL-STD-681  
HARDWARE: PASSIVATED STAINLESS STEEL IAW MIL-DTL-83513/5  
INTERFACIAL SEAL: FLUOROSILICONE PER MIL-R-25988

2 MARKING: "UMI", DATE CODE, UMI PART NUMBER, WORK ORDER NO.  
1. CONNECTOR ASSEMBLY IS IAW MIL-DTL-83513 UNLESS OTHERWISE SPECIFIED.  
**NOTES: UNLESS OTHERWISE SPECIFIED.**

|   |  |                                  |  |                             |                        |                     |
|---|--|----------------------------------|--|-----------------------------|------------------------|---------------------|
| QUALITY SYMBOLS<br>CRITICAL<br>MAJOR<br>NO SYMBOLS = MINOR DIMENSIONS | UNLESS OTHERWISE SPECIFIED:<br>ALL DIMENSIONS ARE IN INCHES  | SCALE<br>3:1                     | DWG SIZE<br>B  | THIRD ANGLE PROJECTION      | REVISE ON CAD ONLY     |                     |
|   | GENERAL TOLERANCES:<br>3 PLACES ±.005<br>2 PLACES ±.01<br>ANGULAR ±2°  | DRAWN BY & DATE<br>FA 03/19/2019 | TITLE:<br>MICRO-D CONNECTOR ASSEMBLY,<br>MR15S05-26E5-72.0-S01 |                             |                        |                     |
|   | ULTI-MATE CAGE CODE<br>58967   | CHECKED BY & DATE<br>SEE ECN     | MATERIAL:<br>3   |                             | ENG PROJECT #:<br>NONE | SHEET NO.<br>1 of 1 |
|   | CAD FILE NAME<br>SD-834221035.SLDDRW   | APPROVED BY & DATE<br>SEE ECN    | PART NO.<br>834221035  | DRAWING NO.<br>SD-834221035 | PART REV.<br>-         |                     |
|   | THIS DRAWING CONTAINS INFORMATION THAT IS PROPRIETARY TO ULTI-MATE INCORPORATED AND SHOULD NOT BE USED WITHOUT WRITTEN PERMISSION. |                                  |  |                             |                        |                     |

