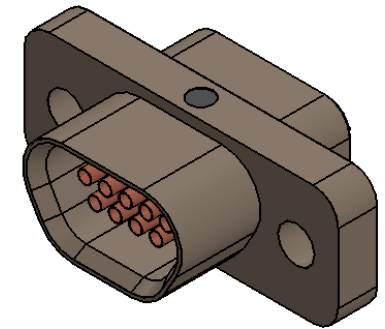
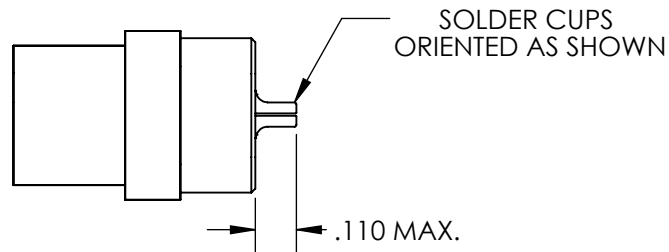
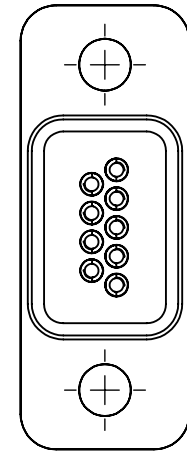
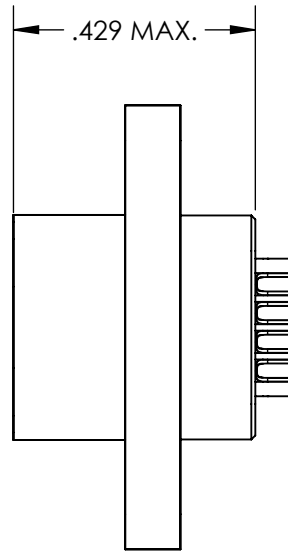
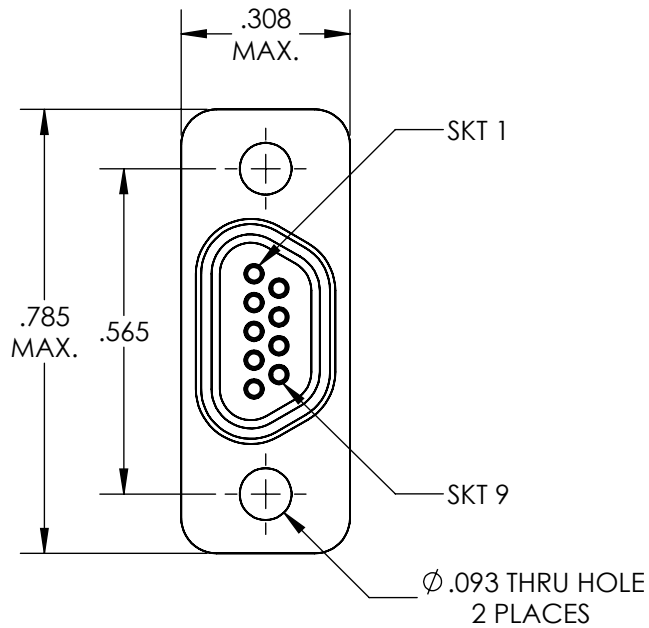


## REVISIONS

DWG. ISSUE	PART REV.	ECN NO.	DATE
-	-	UMI4789	11/12/2012



## 3. PERFORMANCE SPECIFICATIONS:

CURRENT RATING: 3A MAX.  
 INSULATION RESISTANCE: 5000 MΩ MIN.  
 DWV: 600 VAC  
 TEMPERATURE RATING: 125°C  
 CONTACT RESISTANCE: 8 mΩ MAX AT 2.5 AMPS

## MATERIALS:

SHELL: 6061-T6 ALUMINUM PER AMS-QQ-A200/8, NICKEL PLATED PER AMS 2404  
 INSULATOR AND BACKSHELL: PPS PER MIL-M-24519 GST-40F, COLOR: BLK  
 SOCKET CONTACTS: C31400 BRASS ALLOY PER ASTM B140, GOLD PLATED PER ASTM B488  
 INTERFACIAL SEAL: FLUOROSILICONE PER MIL-R-25988

1. MARKINGS: UMI, UMI PART NO., AND DATE CODE

NOTES: UNLESS OTHERWISE SPECIFIED

QUALITY SYMBOLS MAJOR ▼ = CRITICAL C = SPC S =	UNLESS SPECIFIED: ALL DIMENSIONS IN INCHES	SCALE <b>2:1</b>	DWG SIZE <b>A</b>	THIRD ANGLE PROJECTION	<b>REVISE ON CAD ONLY</b>
	GENERAL TOLERANCES: 3 PLACE ±.005 2 PLACE ±.01 ANGULAR ±2°	DRAWN BY & DATE <b>J.BUZOIANU 11/12/2012</b>	TITLE MICRO-D CONNECTOR, RECEPTACLE, SIZE 9 MR0910-S01		MATERIAL ▲
Umi-Mate CAGE CODE <b>58967</b>	CAD FILENAME SD-834211000.slddrw	PART NO. 834211000	DRAWING NO. SD-834211000	SHEET NO. 1 OF 1	
THIS DRAWING CONTAINS INFORMATION THAT IS PROPRIETARY TO ULTI-MATE INCORPORATED AND SHOULD NOT BE USED WITHOUT WRITTEN PERMISSION.				PART REV. -	