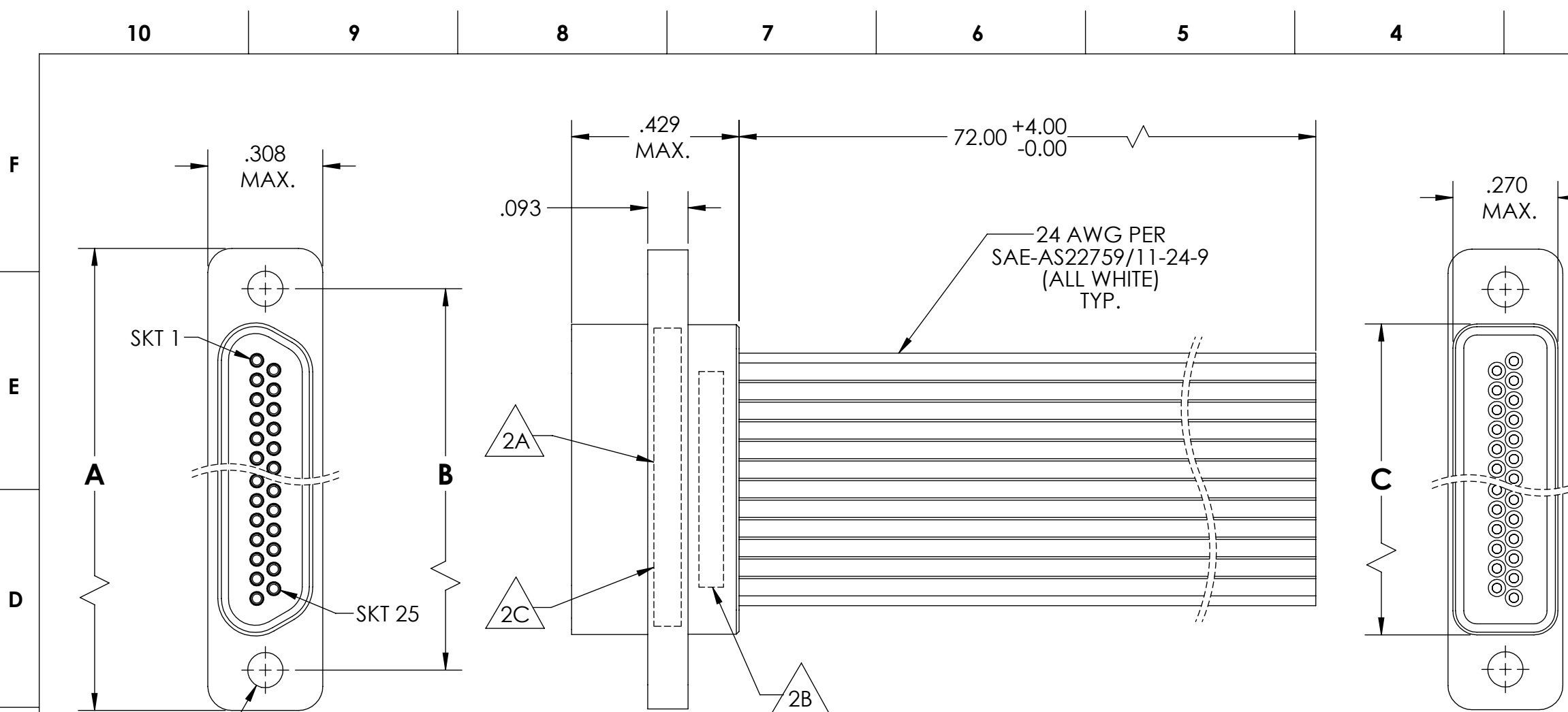
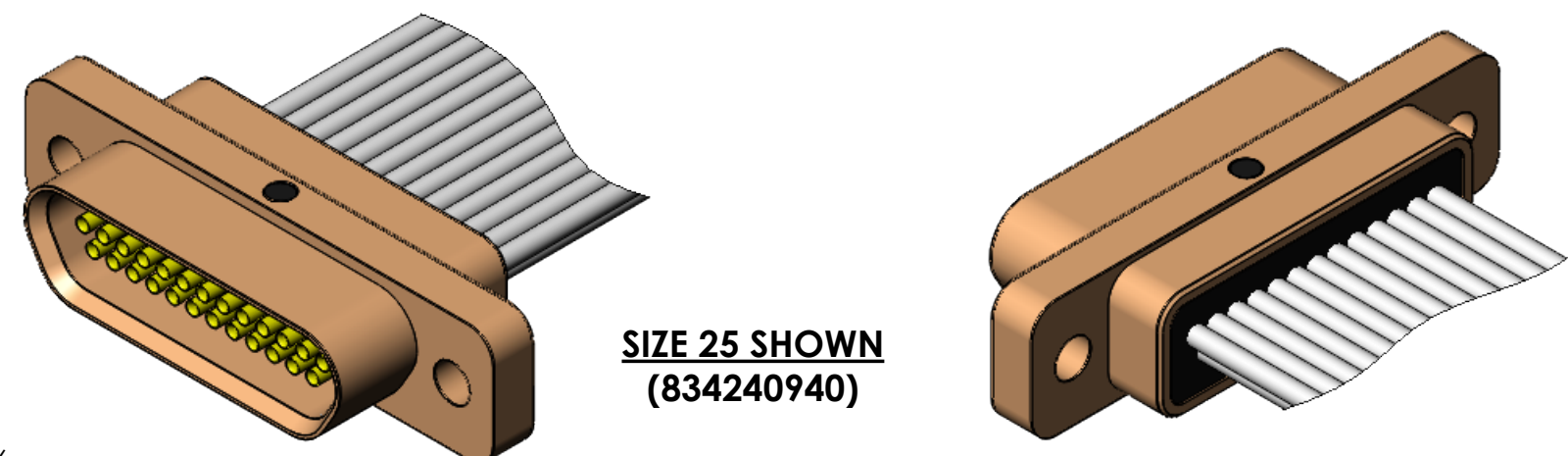


PART REV	DWG ISSUE	DATE	ECN NO.	APPVD BY	REL BY
-	-	3/4/19	UMI7060	DU	DW



T A B L E 1

PART NUMBER	SIZE	A MAX.	B BSC.	C MAX.
834210940	9	.785	.565	.400
834220940	15	.935	.715	.550
834230940	21	1.085	.865	.700
834240940	25	1.185	.965	.800
834250940	31	1.335	1.115	.950
834260940	37	1.485	1.265	1.100



- 5. CONTACT HEIGHTS ARE TO BE PER QA-STD-101.
- 4. PERFORMANCE SPECIFICATIONS:
CURRENT RATING: 3 AMPS MAX.
DWV: 600 VAC
TEMPERATURE RATING: -55°C TO 125°C

3 MATERIALS:
SHELL: 6061-T6 ALUMINUM PER AMS-QQ-A200/8, CADMIUM PLATED PER AMS-QQ-P-416
INSULATOR: PPS PER MIL-M-24519 GST-40F, COLOR: BLACK
SOCKET CONTACTS: C21000 COPPER ALLOY PER ASTM B36, GOLD PLATED PER ASTM B488
WIRE: 24 AWG PER SAE-AS22759/11-24-9, COLOR CODE: ALL WHITE
INTERFACIAL SEAL: FLUOROSILICONE PER MIL-R-25988

- 2. MARKING:
 SIZES 9 & 15 — $\triangle 2A$ "UMI", UMI PART NUMBER (MARK ON FLANGE)
 $\triangle 2B$ DATE CODE, UMI WORK ORDER NUMBER (MARK ON POTTING WELL)
 SIZES 21 THRU 37 — $\triangle 2C$ "UMI", DATE CODE, UMI PART NUMBER, UMI WORK ORDER NUMBER (MARK ON FLANGE)

1. CONNECTOR ASSEMBLY IS IAW MIL-DTL-83513 UNLESS OTHERWISE SPECIFIED.

NOTES: UNLESS OTHERWISE SPECIFIED.

QUALITY SYMBOLS CRITICAL $\triangle C$ MAJOR \blacktriangledown NO SYMBOLS = MINOR DIMENSIONS	UNLESS OTHERWISE SPECIFIED: ALL DIMENSIONS ARE IN INCHES	SCALE 3:1	DWG SIZE B	THIRD ANGLE PROJECTION	REVISE ON CAD ONLY	
	GENERAL TOLERANCES: 3 PLACES $\pm .005$ 2 PLACES $\pm .01$ ANGULAR $\pm 2^\circ$	DRAWN BY & DATE DU 3/4/19		TITLE: MICRO-D CONNECTOR ASSEMBLY, MRXXS0-24M1-72.0, SIZES 9 THRU 37		
	ULTI-MATE CAGE CODE 58967	CHECKED BY & DATE DW 3/4/19		MATERIAL: $\triangle 3$		ENG PROJECT #: NONE
		APPROVED BY & DATE DW 3/4/19		PART NO. SEE TABLE 1		DRAWING NO. SD-834210940
		CAD FILE NAME SD-834210940.sliddrw		SHEET NO. 1 of 1		PART REV. -
THIS DRAWING CONTAINS INFORMATION THAT IS PROPRIETARY TO ULTI-MATE INCORPORATED AND SHOULD NOT BE USED WITHOUT WRITTEN PERMISSION.						

