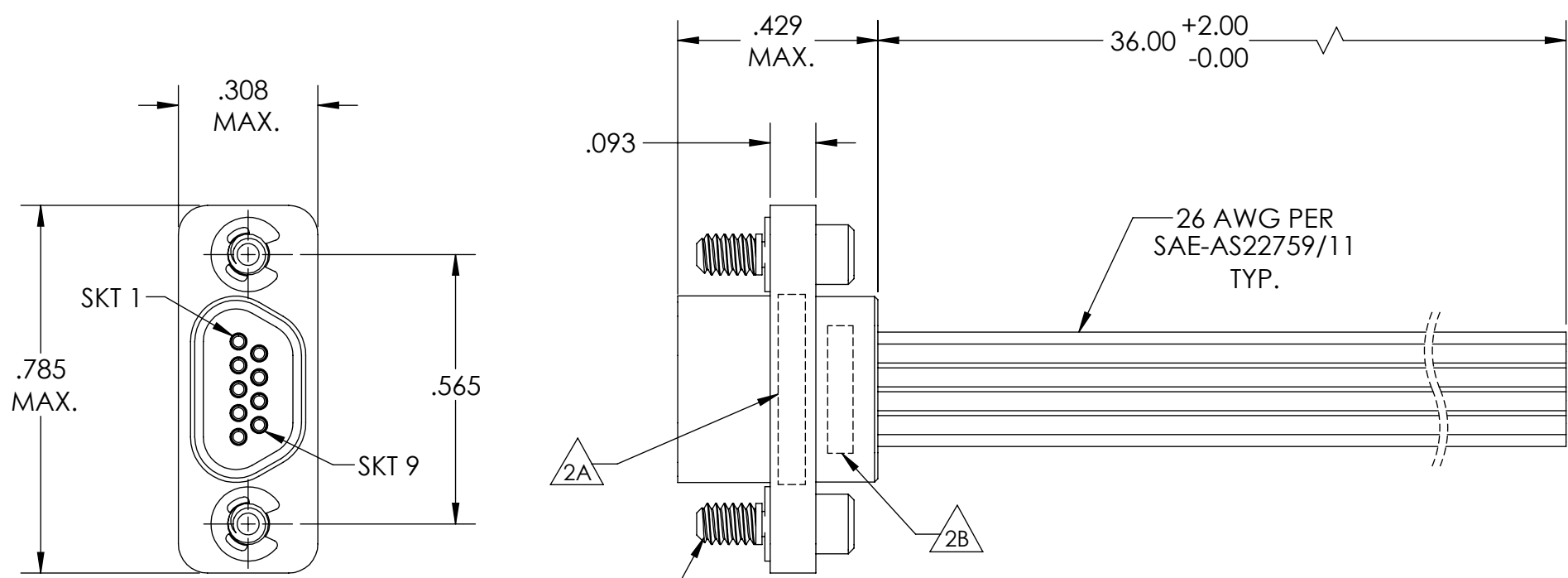


PART REV	DWG ISSUE	DATE	ECN NO.	APPVD BY	REL BY
-	-	8/1/19	UMI7231	DU	DW

F
E
D
C
B
A



1	BLK
2	BRN
3	RED
4	ORG
5	YEL
6	GRN
7	BLU
8	VIO
9	GRY

2-56 JACKSCREW ALLEN HEAD LOW-PROFILE 2X



- 5. CONTACT HEIGHTS ARE TO BE PER QA-STD-101.
- 4. PERFORMANCE SPECIFICATIONS:
CURRENT RATING: 3 AMP MAX.
DWV: 600 VAC
TEMPERATURE RATING: -55°C TO 125°C

3 MATERIALS:
SHELL: 6061-T6 ALUMINUM PER AMS-QQ-A200/8, CADMIUM PLATED PER AMS-QQ-P-416
INSULATOR: PPS PER MIL-M-24519 GST-40F, COLOR: BLACK
SOCKET CONTACTS: C21000 COPPER ALLOY PER ASTM B36, GOLD PLATED PER ASTM B488
WIRES: 26 AWG PER SAE-AS22759/11, REPEATING 10 COLORS PER MIL-STD-681
HARDWARE: PASSIVATED STAINLESS STEEL IAW MIL-DTL-83513/5
INTERFACIAL SEAL: FLUOROSILICONE PER MIL-R-25988

- 2. MARKING: "UMI", DATE CODE, UMI PART NUMBER
 DATE CODE, UMI WORK ORDER NUMBER

1. CONNECTOR ASSEMBLY IS IAW MIL-DTL-83513 UNLESS OTHERWISE SPECIFIED.

NOTES: UNLESS OTHERWISE SPECIFIED.

QUALITY SYMBOLS CRITICAL MAJOR NO SYMBOLS = MINOR DIMENSIONS	UNLESS OTHERWISE SPECIFIED: ALL DIMENSIONS ARE IN INCHES	SCALE 3:1	DWG SIZE B	THIRD ANGLE PROJECTION	REVISE ON CAD ONLY		
	GENERAL TOLERANCES: 3 PLACES ±.005 2 PLACES ±.01 ANGULAR ±2°	DRAWN BY & DATE DU 8/1/19		TITLE: MICRO-D CONNECTOR ASSEMBLY, MR09S02-26M6-36.0, CADMIUM PLATED SHELL			
		CHECKED BY & DATE DW 8/1/19		MATERIAL:	ENG PROJECT #:	NONE	
		APPROVED BY & DATE DW 8/1/19		PART NO. 834210802		DRAWING NO. SD-834210802	SHEET NO. 1 of 1
	ULTI-MATE CAGE CODE 58967	CAD FILE NAME SD-834210802.slddrw		THIS DRAWING CONTAINS INFORMATION THAT IS PROPRIETARY TO ULTI-MATE INCORPORATED AND SHOULD NOT BE USED WITHOUT WRITTEN PERMISSION.			

