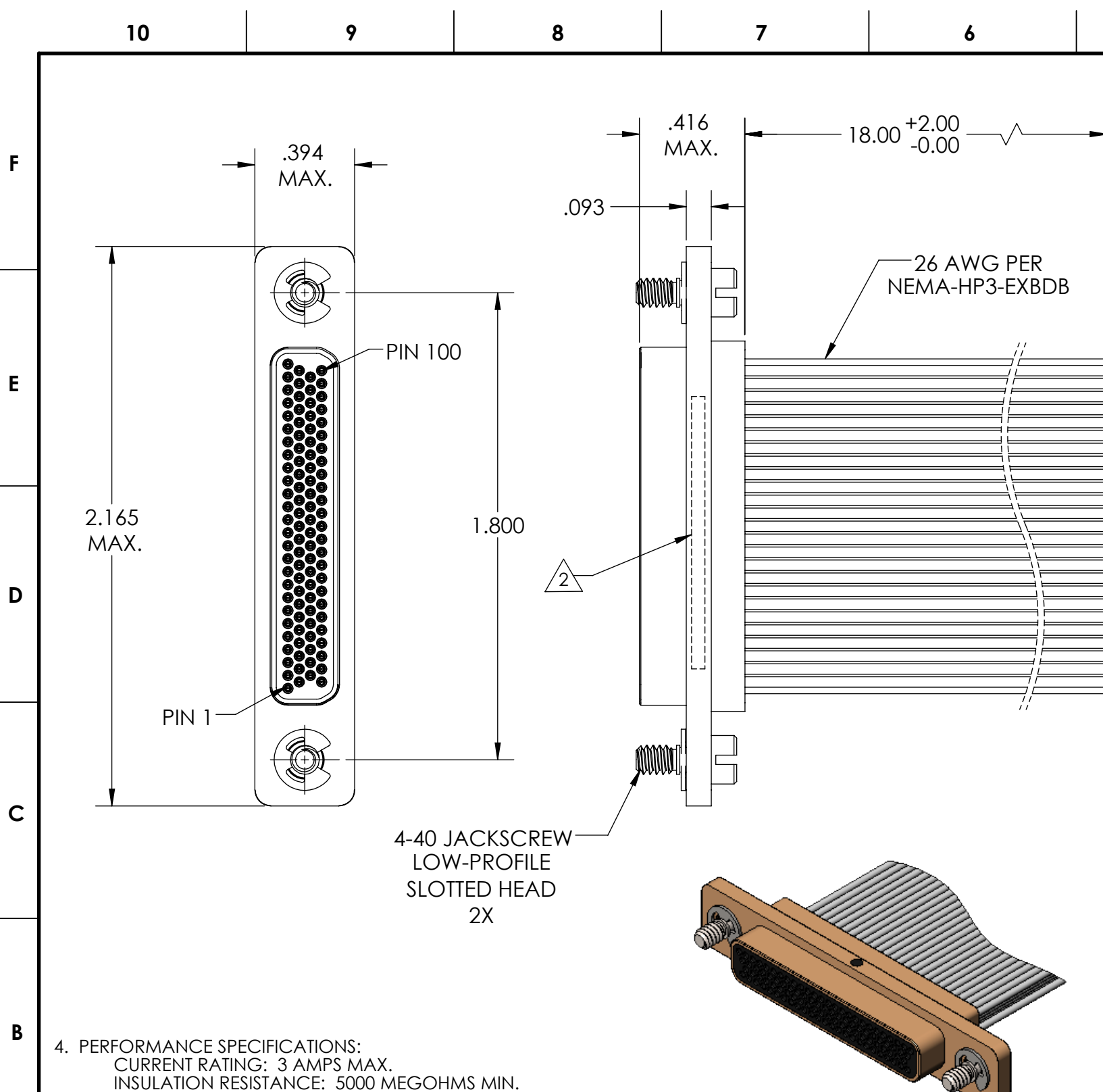
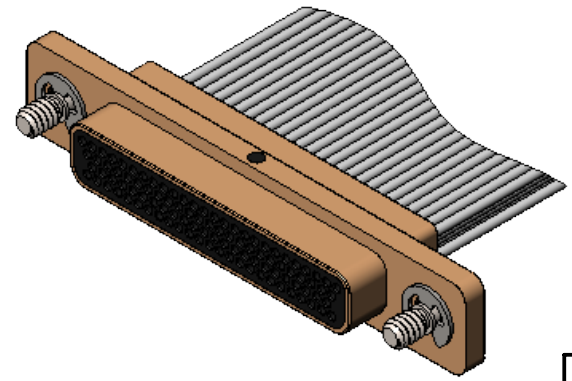


PART REV	DWG ISSUE	DATE	ECN NO.	APPVD BY	REL BY
-	-	10/16/17	UMI6530	DW	DW



1	BLK	26	W/BLK/VIO	51	W/GRN/VIO	76	W/BLK/YEL/VIO
2	BRN	27	W/BLK/GRY	52	W/GRN/GRY	77	W/BLK/YEL/GRY
3	RED	28	W/BRN/RED	53	W/BLU/VIO	78	W/BLK/GRN/BLU
4	ORG	29	W/BRN/ORG	54	W/BLU/GRY	79	W/BLK/GRN/VIO
5	YEL	30	W/BRN/YEL	55	W/VIO/GRY	80	W/BLK/GRN/GRY
6	GRN	31	W/BRN/GRN	56	W/BLK/BRN/RED	81	W/BLK/BLU/VIO
7	BLU	32	W/BRN/BLU	57	W/BLK/BRN/ORG	82	W/BLK/BLU/GRY
8	VIO	33	W/BRN/VIO	58	W/BLK/BRN/YEL	83	W/BLK/VIO/GRY
9	GRY	34	W/BRN/GRY	59	W/BLK/BRN/GRN	84	W/BRN/RED/ORG
10	WHT	35	W/RED/ORG	60	W/BLK/BRN/BLU	95	W/BRN/RED/YEL
11	W/BLK	36	W/RED/YEL	61	W/BLK/BRN/VIO	86	W/BRN/RED/GRN
12	W/BRN	37	W/RED/GRN	62	W/BLK/BRN/GRY	87	W/BRN/RED/BLU
13	W/RED	38	W/RED/BLU	63	W/BLK/RED/ORG	88	W/BRN/RED/VIO
14	W/ORG	39	W/RED/VIO	64	W/BLK/RED/YEL	89	W/BRN/RED/GRY
15	W/YEL	40	W/RED/GRY	65	W/BLK/RED/GRN	90	W/BRN/ORG/YEL
16	W/GRN	41	W/ORG/YEL	66	W/BLK/RED/BLU	91	W/BRN/ORG/GRN
17	W/BLU	42	W/ORG/GRN	67	W/BLK/RED/VIO	92	W/BRN/ORG/BLU
18	W/VIO	43	W/ORG/BLU	68	W/BLK/RED/GRY	93	W/BRN/ORG/VIO
19	W/GRY	44	W/ORG/VIO	69	W/BLK/ORG/YEL	94	W/BRN/ORG/GRY
20	W/BLK/BRN	45	W/ORG/GRY	70	W/BLK/ORG/GRN	95	W/BRN/YEL/GRN
21	W/BLK/RED	46	W/YEL/GRN	71	W/BLK/ORG/BLU	96	W/BRN/YEL/BLU
22	W/BLK/ORG	47	W/YEL/BLU	72	W/BLK/ORG/VIO	97	W/BRN/YEL/VIO
23	W/BLK/YEL	48	W/YEL/VIO	73	W/BLK/ORG/GRY	98	W/BRN/YEL/GRY
24	W/BLK/GRN	49	W/YEL/GRY	74	W/BLK/YEL/GRN	99	W/BRN/GRN/BLU
25	W/BLK/BLU	50	W/GRN/BLU	75	W/BLK/YEL/BLU	100	W/BRN/GRN/VIO



4. PERFORMANCE SPECIFICATIONS:  
 CURRENT RATING: 3 AMPS MAX.  
 INSULATION RESISTANCE: 5000 MEGOHMS MIN.  
 DWV: 600 VAC  
 TEMPERATURE RATING: 125° C

3 MATERIALS:  
 SHELL: 6061-T6 ALUMINUM PER AMS-Q-Q-A200/8, CADMIUM PLATED PER AMS-QQ-P-416  
 INSULATOR: PPS PER MIL-M-24519 GST-40F, COLOR: BLACK  
 PIN CONTACTS: C17200 BERYLLIUM COPPER PER ASTM B194, GOLD PLATED PER ASTM B488  
 HARDWARE: PASSIVATED STAINLESS STEEL IAW MIL-DTL-83513/5  
 WIRE: 26 AWG PER NEMA-HP3-EXBDB, COLOR CODE PER MIL-STD-681

2 MARKING: "UMI", DATE CODE, UMI PART NUMBER, UMI WORK ORDER NUMBER

1. CONNECTOR ASSEMBLY IS IAW MIL-DTL-83513 UNLESS OTHERWISE SPECIFIED.  
**NOTES: UNLESS OTHERWISE SPECIFIED.**

QUALITY SYMBOLS CRITICAL MAJOR NO SYMBOLS = MINOR DIMENSIONS	UNLESS OTHERWISE SPECIFIED: ALL DIMENSIONS ARE IN INCHES	SCALE <b>NONE</b>	DWG SIZE <b>B</b>	THIRD ANGLE PROJECTION	<b>REVISE ON CAD ONLY</b>		
	GENERAL TOLERANCES:  3 PLACES ±.005 2 PLACES ±.01 ANGULAR ±2°	DRAWN BY & DATE <b>DU 10/16/17</b>		TITLE: <b>MICRO-D CONNECTOR ASSEMBLY, MR100P15-26E5-18.0</b>			
		CHECKED BY & DATE <b>DW 10/16/17</b>		MATERIAL: <b>3</b>	ENG PROJECT #: <b>NONE</b>		
		APPROVED BY & DATE <b>DW 10/16/17</b>			PART NO. <b>834180075</b>		
	CAD FILE NAME <b>SD-834180075.SLDDRW</b>		DRAWING NO. <b>SD-834180075</b>		SHEET NO. <b>1 of 1</b>		
ULTI-MATE CAGE CODE <b>58967</b>						THIS DRAWING CONTAINS INFORMATION THAT IS PROPRIETARY TO ULTI-MATE INCORPORATED AND SHOULD NOT BE USED WITHOUT WRITTEN PERMISSION.	