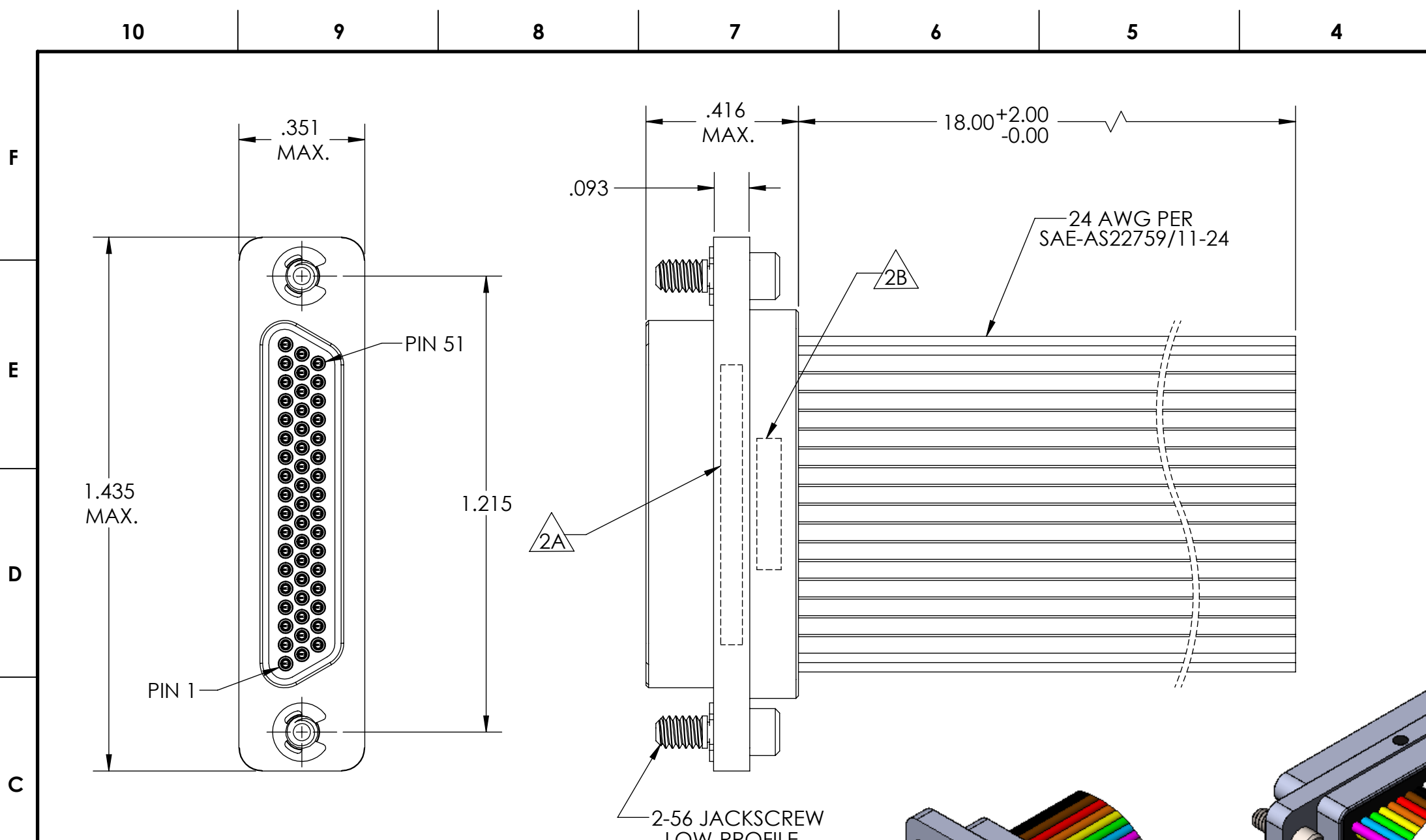
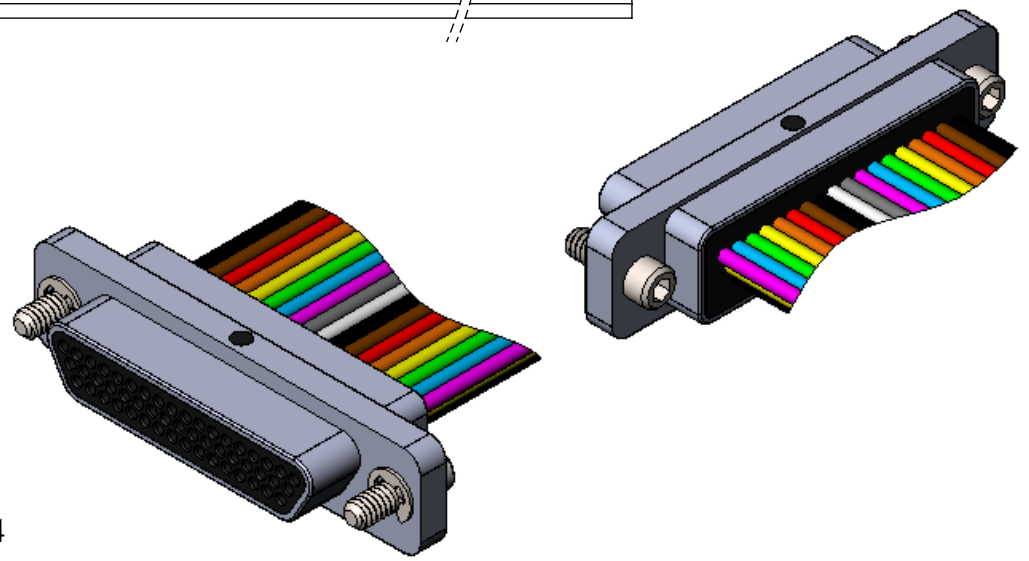


| PART REV | DWG ISSUE | DATE | ECN NO. | APPVD BY | REL BY |
|----------|-----------|---------|---------|----------|--------|
| - | - | 2/15/16 | UMI5881 | DW | DW |



| | | | |
|----|-----|----|-----|
| 1 | BLK | 26 | GRN |
| 2 | BRN | 27 | BLU |
| 3 | RED | 28 | VIO |
| 4 | ORG | 29 | GRY |
| 5 | YEL | 30 | WHT |
| 6 | GRN | 31 | BLK |
| 7 | BLU | 32 | BRN |
| 8 | VIO | 33 | RED |
| 9 | GRY | 34 | ORG |
| 10 | WHT | 35 | YEL |
| 11 | BLK | 36 | GRN |
| 12 | BRN | 37 | BLU |
| 13 | RED | 38 | VIO |
| 14 | ORG | 39 | GRY |
| 15 | YEL | 40 | WHT |
| 16 | GRN | 41 | BLK |
| 17 | BLU | 42 | BRN |
| 18 | VIO | 43 | RED |
| 19 | GRY | 44 | ORG |
| 20 | WHT | 45 | YEL |
| 21 | BLK | 46 | GRN |
| 22 | BRN | 47 | BLU |
| 23 | RED | 48 | VIO |
| 24 | ORG | 49 | GRY |
| 25 | YEL | 50 | WHT |
| | | 51 | BLK |



4. PERFORMANCE SPECIFICATIONS:
 CURRENT RATING: 3 AMPS MAX.
 INSULATION RESISTANCE: 5000 MEGOHMS MIN.
 DWV: 600 VAC
 TEMPERATURE RATING: 125° C

3 MATERIALS:
 SHELL: 6061-T6 ALUMINUM PER AMS-QQ-A200/8, NICKEL PLATED PER AMS-2404
 INSULATOR: PPS PER MIL-M-24519 GST-40F, COLOR: BLACK
 PIN CONTACT: C17200 BERYLLIUM COPPER PER ASTM B194, GOLD PLATED PER ASTM B488
 HARDWARE: PASSIVATED STAINLESS STEEL IAW MIL-DTL-83513/5
 WIRE: 24 AWG PER SAE-AS22759/11-24, REPEATING 10 COLORS

2. MARKING:
 2A "UMI", DATE CODE, UMI PART NUMBER
 2B UMI WORK ORDER NUMBER

1. CONNECTOR ASSEMBLY IS IAW MIL-DTL-83513 UNLESS OTHERWISE SPECIFIED.
NOTES: UNLESS OTHERWISE SPECIFIED.

| | | | | | | |
|---|---|---|----------------------|--|------------------------------------|--|
| QUALITY SYMBOLS CRITICAL C MAJOR NO SYMBOLS = MINOR DIMENSIONS | UNLESS OTHERWISE SPECIFIED: ALL DIMENSIONS ARE IN INCHES | SCALE 3:1 | DWG SIZE B | THIRD ANGLE PROJECTION | REVISE ON CAD ONLY | |
| | GENERAL TOLERANCES: 3 PLACES ±.005 2 PLACES ±.01 ANGULAR ±2° | DRAWN BY & DATE DU 2/15/16 | | TITLE: MICRO-D CONNECTOR ASSEMBLY, MR51-3P02-24M6-18.0-S01 | | |
| | ULTI-MATE CAGE CODE 58967 | CHECKED BY & DATE DW 2/15/16 | | MATERIAL: 3 | ENG PROJECT #: NONE | |
| | | APPROVED BY & DATE DW 2/15/16 | | PART NO. 834171882 | DRAWING NO. SD-834171882 | |
| | | CAD FILE NAME SD-834171882.SLDDRW | | THIS DRAWING CONTAINS INFORMATION THAT IS PROPRIETARY TO ULTI-MATE INCORPORATED AND SHOULD NOT BE USED WITHOUT WRITTEN PERMISSION. | | |