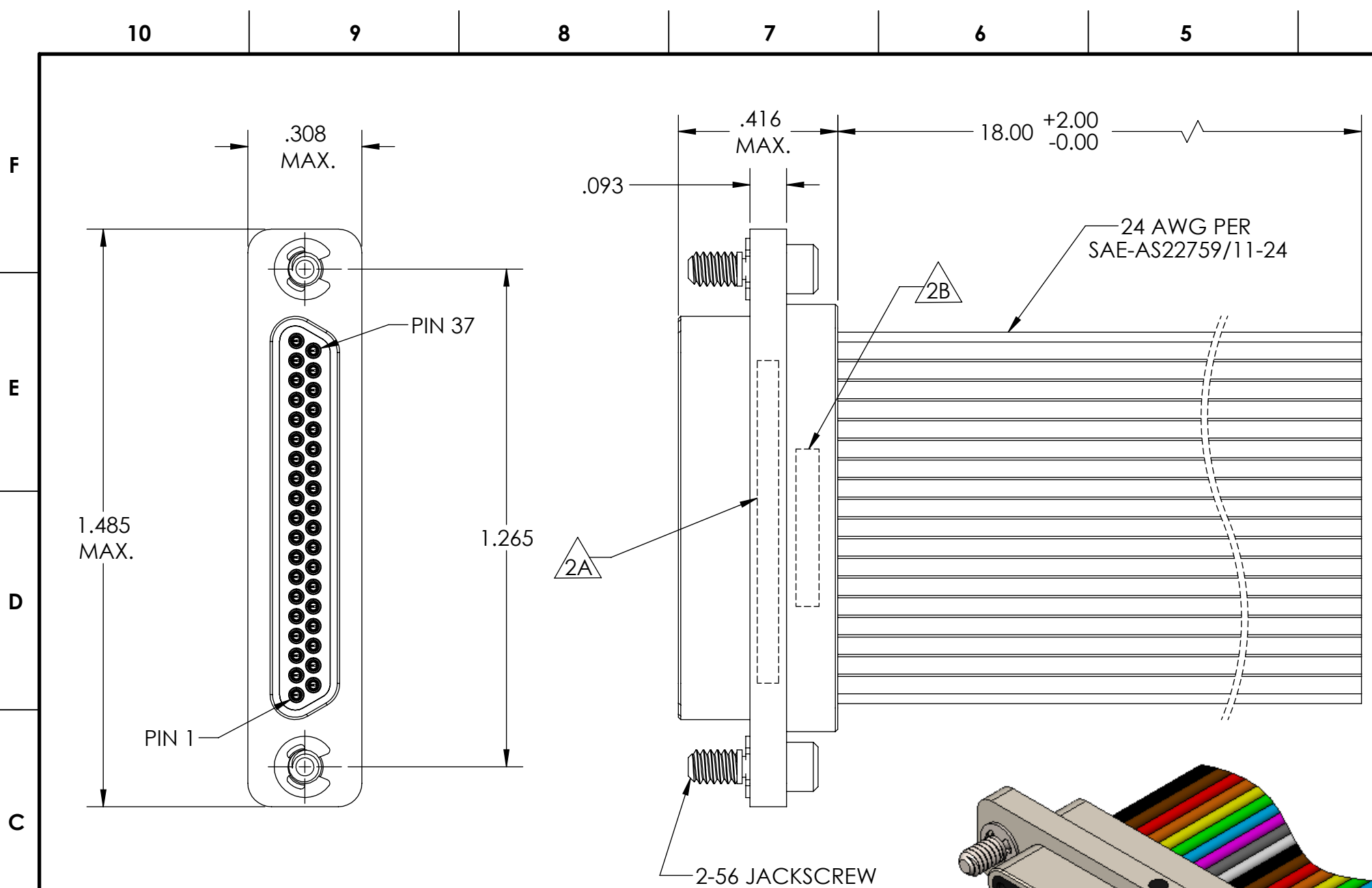
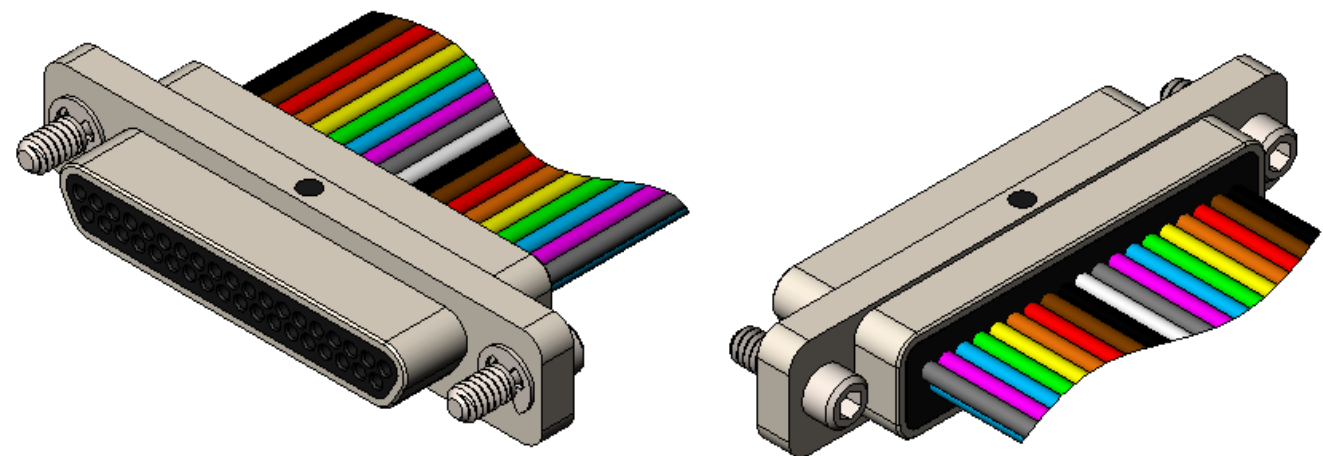


PART REV	DWG ISSUE	DATE	ECN NO.	APPVD BY	REL BY
-	-	2/15/16	UMI5881	DW	DW



1	BLK	19	GRY
2	BRN	20	WHT
3	RED	21	BLK
4	ORG	22	BRN
5	YEL	23	RED
6	GRN	24	ORG
7	BLU	25	YEL
8	VIO	26	GRN
9	GRY	27	BLU
10	WHT	28	VIO
11	BLK	29	GRY
12	BRN	30	WHT
13	RED	31	BLK
14	ORG	32	BRN
15	YEL	33	RED
16	GRN	34	ORG
17	BLU	35	YEL
18	VIO	36	GRN
		37	BLU



4. PERFORMANCE SPECIFICATIONS:
 CURRENT RATING: 3 AMPS MAX.
 INSULATION RESISTANCE: 5000 MEGOHMS MIN.
 DWV: 600 VAC
 TEMPERATURE RATING: 125° C

3 MATERIALS:
 SHELL: 6061-T6 ALUMINUM PER AMS-QQ-A200/8, NICKEL PLATED PER AMS-2404
 INSULATOR: PPS PER MIL-M-24519 GST-40F, COLOR: BLACK
 PIN CONTACT: C17200 BERYLLIUM COPPER PER ASTM B194, GOLD PLATED PER ASTM B488
 HARDWARE: PASSIVATED STAINLESS STEEL IAW MIL-DTL-83513/5
 WIRE: 24 AWG PER SAE-AS22759/11-24, REPEATING 10 COLORS

2. MARKING:
 2A "UMI", DATE CODE, UMI PART NUMBER
 2B UMI WORK ORDER NUMBER

1. CONNECTOR ASSEMBLY IS IAW MIL-DTL-83513 UNLESS OTHERWISE SPECIFIED.

NOTES: UNLESS OTHERWISE SPECIFIED.

QUALITY SYMBOLS CRITICAL MAJOR NO SYMBOLS = MINOR DIMENSIONS	UNLESS OTHERWISE SPECIFIED: ALL DIMENSIONS ARE IN INCHES	SCALE 3:1	DWG SIZE B	THIRD ANGLE PROJECTION	REVISE ON CAD ONLY
	GENERAL TOLERANCES: 3 PLACES ±.005 2 PLACES ±.01 ANGULAR ±2°	DRAWN BY & DATE DU 2/15/16	TITLE: MICRO-D CONNECTOR ASSEMBLY, MR37P02-24M6-18.0-S01		
	ULTI-MATE CAGE CODE 58967	CHECKED BY & DATE DW 2/15/16	MATERIAL: 3	ENG PROJECT #: NONE	
		APPROVED BY & DATE DW 2/15/16	PART NO. 834161882	DRAWING NO. SD-834161882	
		CAD FILE NAME SD-834161882.SLDDRW	THIS DRAWING CONTAINS INFORMATION THAT IS PROPRIETARY TO ULTI-MATE INCORPORATED AND SHOULD NOT BE USED WITHOUT WRITTEN PERMISSION.		