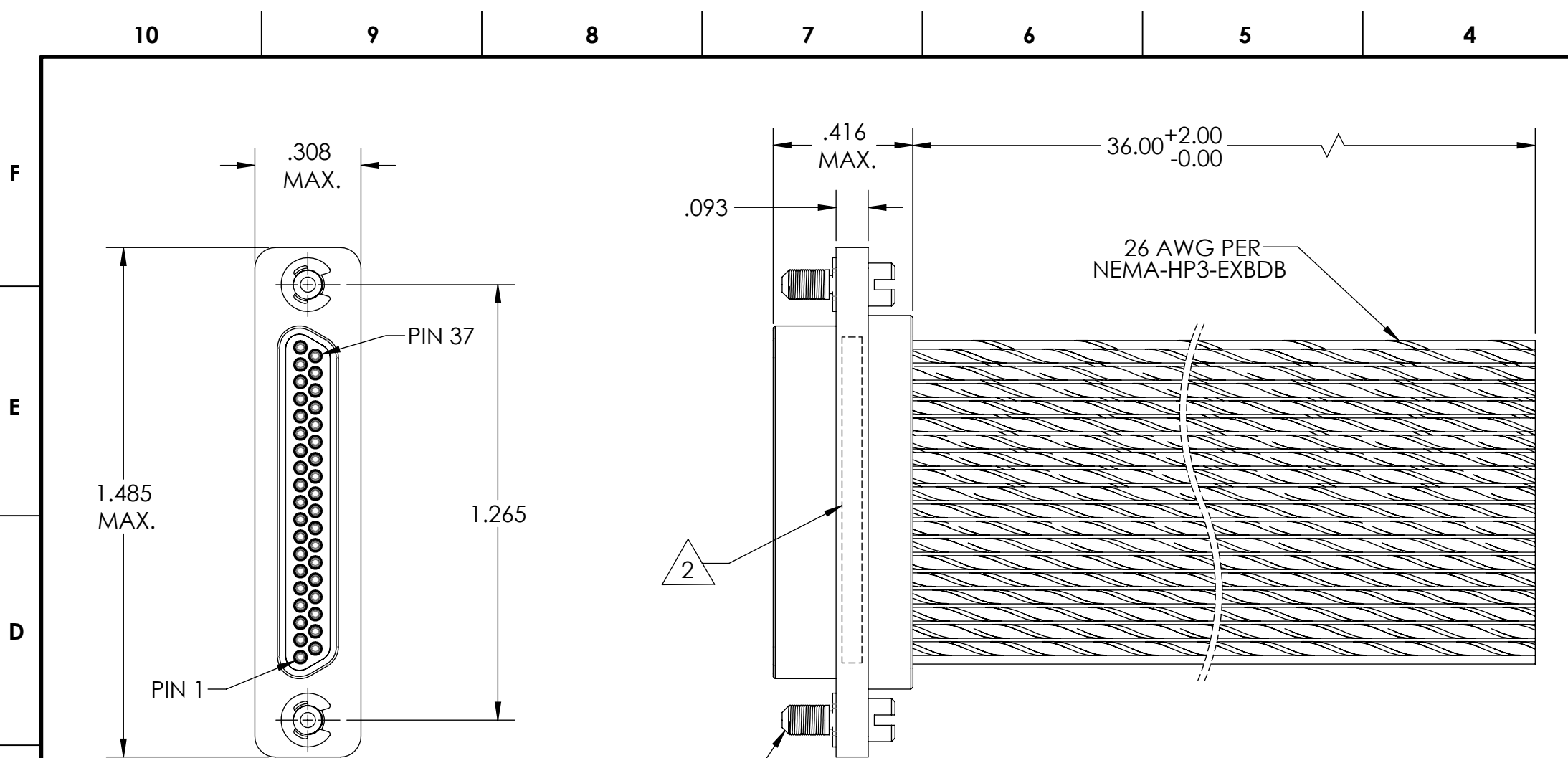
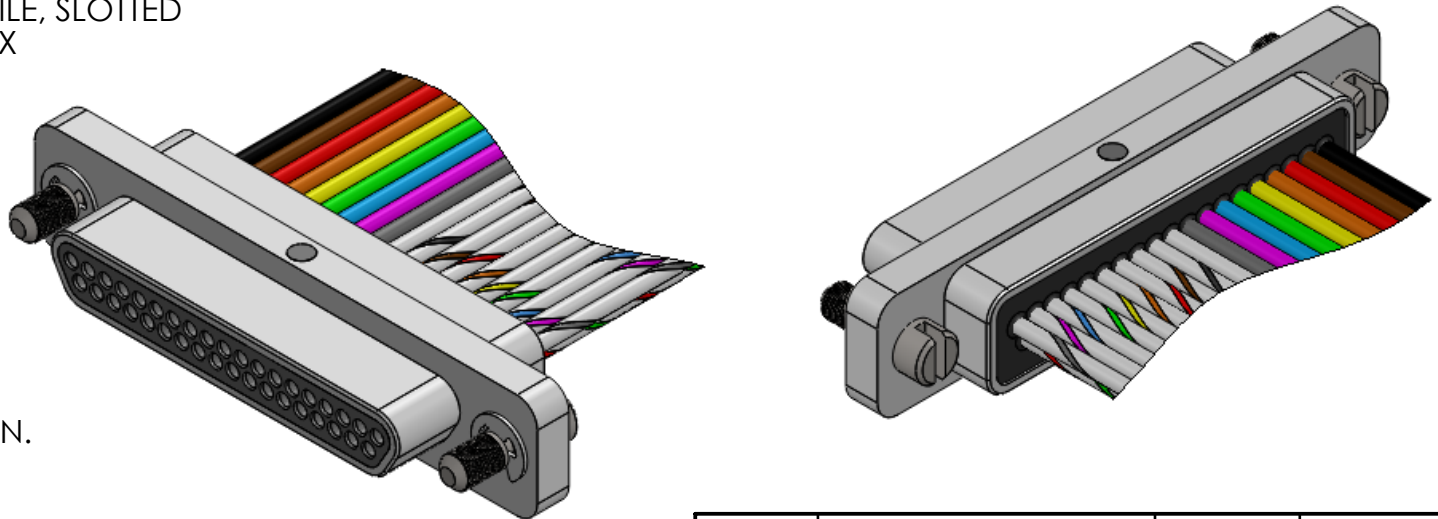


PART REV	DWG ISSUE	DATE	ECN NO.	APPVD BY	REL BY
-	-	1/27/15	UMI5519	DW	DW



Pin	Color	Pin	Color
1	BLK	19	W/GRY
2	BRN	20	W/BLK/BRN
3	RED	21	W/BLK/RED
4	ORG	22	W/BLK/ORG
5	YEL	23	W/BLK/YEL
6	GRN	24	W/BLK/GRN
7	BLU	25	W/BLK/BLU
8	VIO	26	W/BLK/VIO
9	GRY	27	W/BLK/GRY
10	WHT	28	W/BRN/RED
11	W/BLK	29	W/BRN/ORG
12	W/BRN	30	W/BRN/YEL
13	W/RED	31	W/BRN/GRN
14	W/ORG	32	W/BRN/BLU
15	W/YEL	33	W/BRN/VIO
16	W/GRN	34	W/BRN/GRY
17	W/BLU	35	W/RED/ORG
18	W/VIO	36	W/RED/YEL
		37	W/RED/GRN



4. PERFORMANCE SPECIFICATIONS:  
 CURRENT RATING: 3 AMPS MAX.  
 INSULATION RESISTANCE: 5000 MEGOHMS MIN.  
 DWV: 600 VAC  
 TEMPERATURE RATING: 125° C

3 MATERIALS:  
 SHELL: 6061-T6 ALUMINUM PER AMS-QQ-A200/8, NICKEL PLATED PER AMS-2404  
 INSULATOR: PPS PER MIL-M-24519 GST-40F, COLOR: BLACK  
 PIN CONTACTS: C17200 BERYLLIUM COPPER PER ASTM B194, GOLD PLATED PER ASTM B488  
 WIRE: 26 AWG PER NEMA-HP3-EXBDB, COLOR CODE: PER MIL-STD-681  
 HARDWARE: PASSIVATED STAINLESS STEEL IAW MIL-DTL-83513/5

2 MARKING: "UMI", DATE CODE, UMI PART NUMBER

1. CONNECTOR ASSEMBLY IS IAW MIL-DTL-83513 UNLESS OTHERWISE SPECIFIED.

**NOTES: UNLESS OTHERWISE SPECIFIED.**

QUALITY SYMBOLS CRITICAL MAJOR NO SYMBOLS = MINOR DIMENSIONS	UNLESS OTHERWISE SPECIFIED: ALL DIMENSIONS ARE IN INCHES	SCALE NONE	DWG SIZE B	THIRD ANGLE PROJECTION	REVISE ON CAD ONLY		
	GENERAL TOLERANCES:  3 PLACES ±.005 2 PLACES ±.01 ANGULAR ±2°	DRAWN BY & DATE DU 1/27/15		TITLE: MICRO-D CONNECTOR ASSEMBLY, "MR" SERIES, MR37P05-26E5-36.0-S01			
		CHECKED BY & DATE DW 1/27/15		MATERIAL: 3	ENG PROJECT #: NONE		
		APPROVED BY & DATE DW 1/27/15			DRAWING NO. SD-834161535		
	ULTI-MATE CAGE CODE 58967		CAD FILE NAME SD-834161535.SLDDRW	PART NO. 834161535	PART REV. -		
THIS DRAWING CONTAINS INFORMATION THAT IS PROPRIETARY TO ULTI-MATE INCORPORATED AND SHOULD NOT BE USED WITHOUT WRITTEN PERMISSION.							