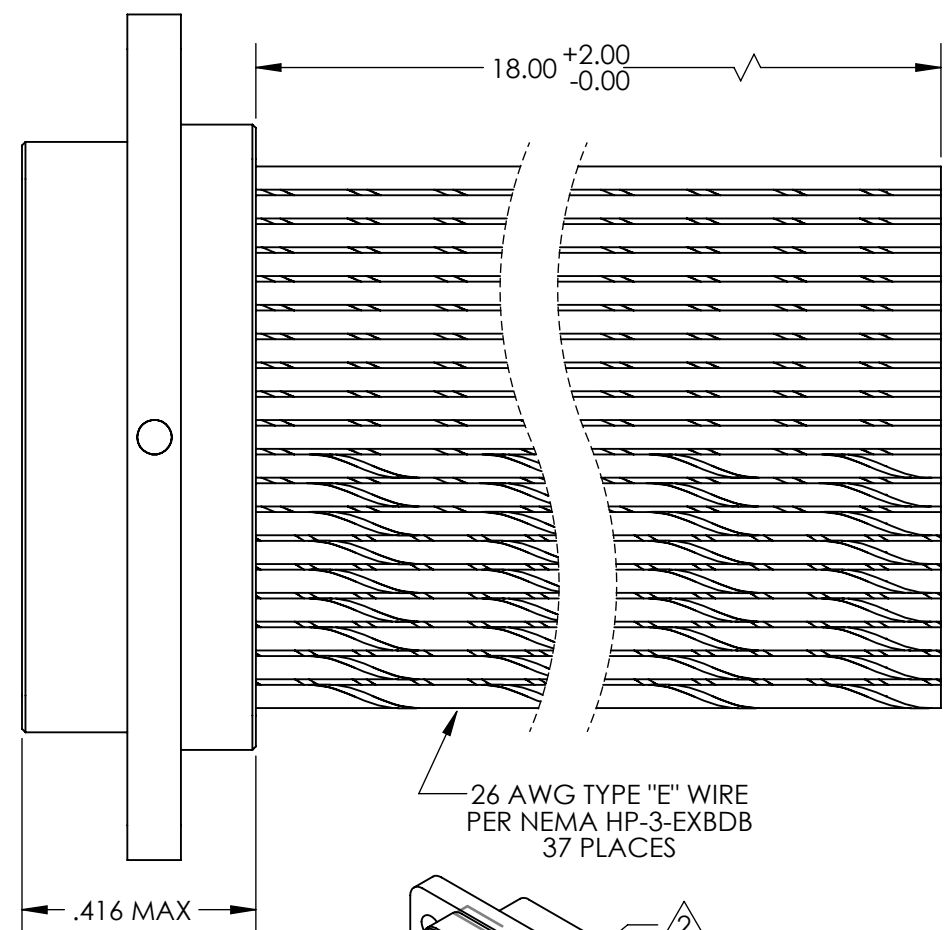
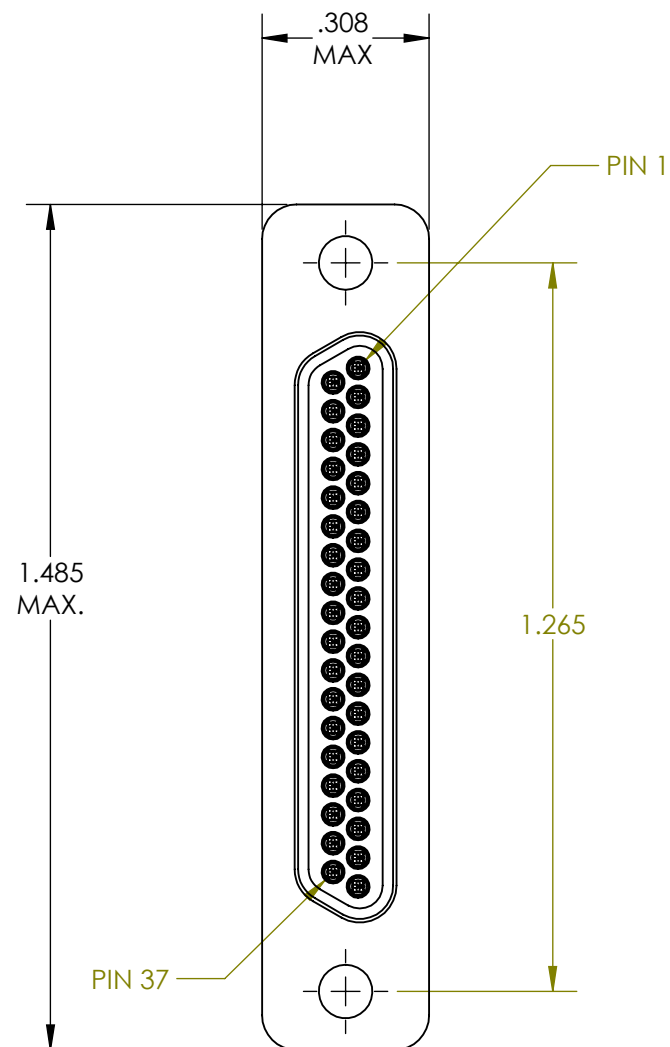


REVISIONS

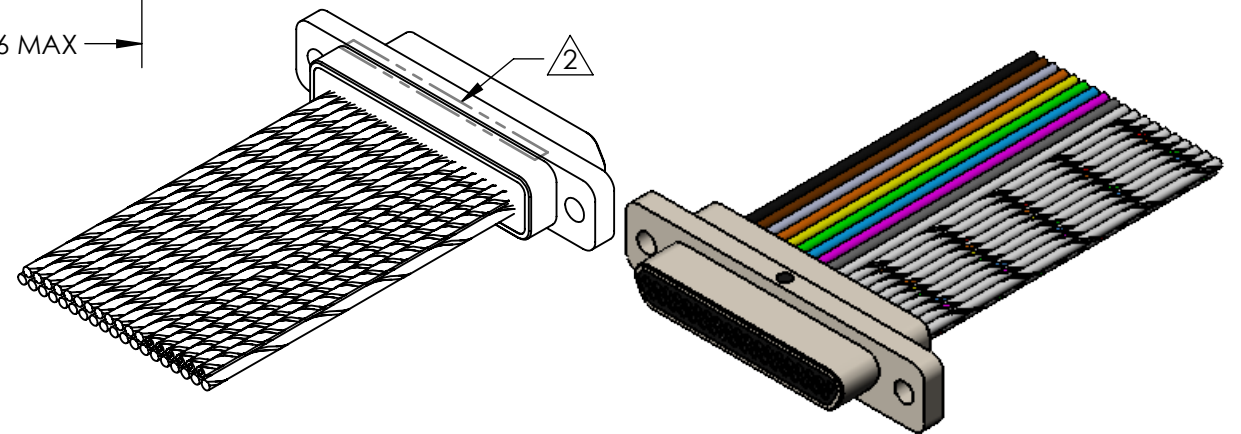
PART REV.	DWG. ISSUE	DATE	ECN NO.	APPVD. BY	REL. BY
-	-	07/12/2013	UMI5030	DW	DW

COLOR CODE

1	BLK	20	W/BLK/BRN
2	BRN	21	W/BLK/RED
3	RED	22	W/BLK/ORG
4	ORG	23	W/BLK/YEL
5	YEL	24	W/BLK/GRN
6	GRN	25	W/BLK/BLU
7	BLU	26	W/BLK/VIO
8	VIO	27	W/BLK/GRY
9	GRY	28	W/BRN/RED
10	WHT	29	W/BRN/ORG
11	W/BLK	30	W/BRN/YEL
12	W/BRN	31	W/BRN/GRN
13	W/RED	32	W/BRN/BLU
14	W/ORG	33	W/BRN/VIO
15	W/YEL	34	W/BRN/GRY
16	W/GRN	35	W/RED/ORG
17	W/BLU	36	W/RED/YEL
18	W/VIO	37	W/RED/GRN
19	W/GRY		



26 AWG TYPE "E" WIRE PER NEMA HP-3-EXBDB 37 PLACES



4. PERFORMANCE SPECIFICATIONS:
 CURRENT RATING: 3A MAX.
 INSULATION RESISTANCE: 5000 MΩ MIN.
 DWV: 600 VAC
 TEMPERATURE RATING: 125°C
 CONTACT RESISTANCE: 8 mΩ MAX AT 2.5 AMPS

3 MATERIALS:
 SHELL: 6061-T6 ALUMINUM PER AMS-QQ-A200/8, NICKEL PLATED PER AMS 2404
 INSULATOR AND BACKSHELL: PPS PER MIL-M-24519 GST-40F, COLOR: BLK
 PIN CONTACTS: C17200 BERYLLIUM COPPER PER ASTM B194, GOLD PLATED PER ASTM B488
 HARDWARE: PASSIVATED STAINLESS STEEL IAW MIL-DTL-83513/5

2 MARKINGS: UMI, UMI PART NO., AND DATE CODE
 1. CONNECTOR ASSEMBLY IS IAW MIL-DTL-83513 UNLESS OTHERWISE SPECIFIED

NOTES: UNLESS OTHERWISE SPECIFIED

QUALITY SYMBOLS CRITICAL MAJOR NO SYMBOL = MINOR DIMENSION	UNLESS SPECIFIED: ALL DIMENSIONS IN INCHES GENERAL TOLERANCES: 3 PLACE ±.002 2 PLACE ±.005 ANGULAR ±2° Ulti-Mate CAGE CODE 58967	SCALE 3:1	DWG SIZE B	THIRD ANGLE PROJECTION	REVISE ON CAD ONLY		
		DRAWN BY & DATE JB 07/12/2013		TITLE MICRO-D WIRED CONNECTOR, PLUG, SIZE 37 MR37P0-26E5-18.0-S01			
		CHECKED BY & DATE SEE ECN		MATERIAL			
		APPROVED BY & DATE SEE ECN					
CAD FILENAME SD-834161070.slddrw		PART NO. 834161070	DRAWING NO. SD-834161070	SHEET NO. 1 OF 1			
THIS DRAWING CONTAINS INFORMATION THAT IS PROPRIETARY TO ULTI-MATE INCORPORATED AND SHOULD NOT BE USED WITHOUT WRITTEN PERMISSION.							