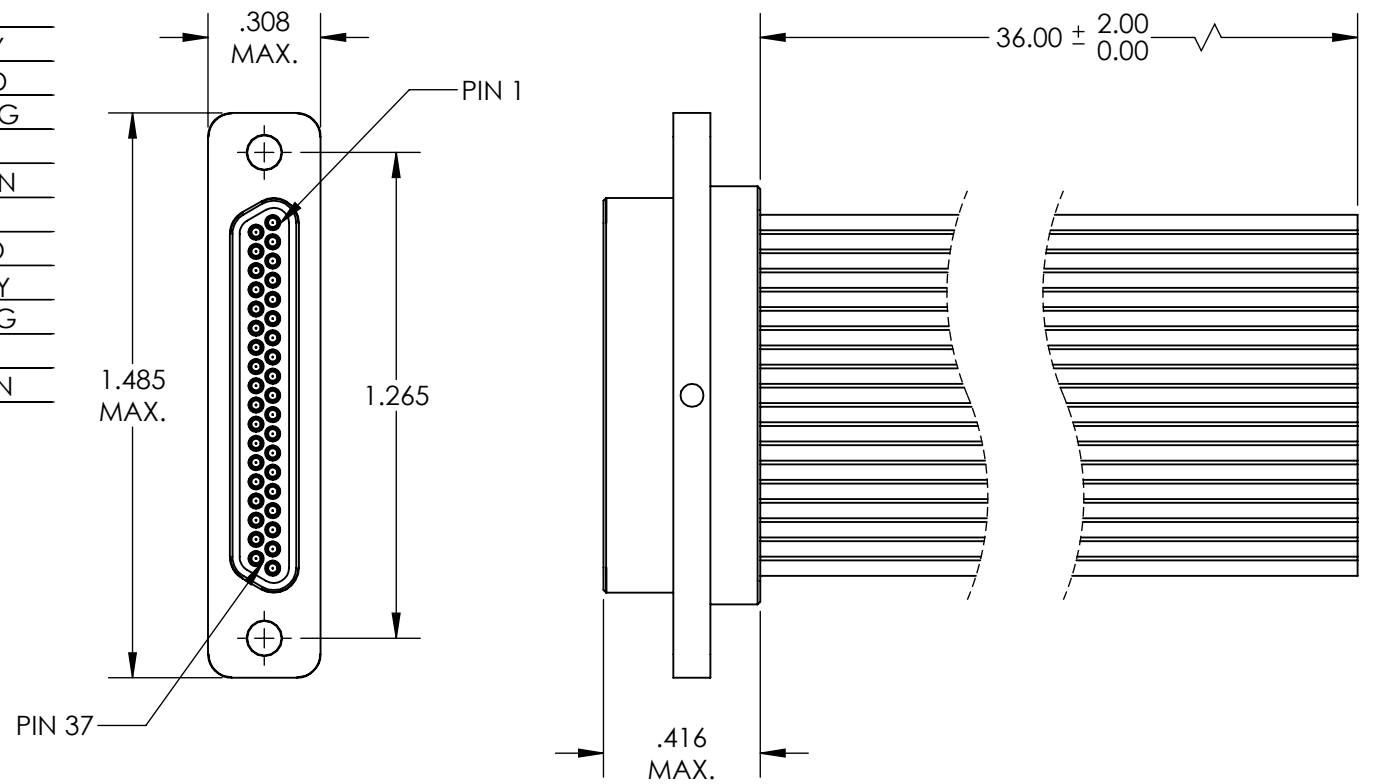


REVISIONS

DWG. ISSUE	PART REV.	ECN NO.	DATE
-	-	UMI 4694	08/31/2012
-	-		

COLOR CODE (PER MIL-STD-681)

1	BLK	20	W/BLK/BRN
2	BRN	21	W/BLK/RED
3	RED	22	W/BLK/ORG
4	ORG	23	W/BLK/YEL
5	YEL	24	W/BLK/GRN
6	GRN	25	W/BLK/BLU
7	BLU	26	W/BLK/VIO
8	VIO	27	W/BLK/GRY
9	GRY	28	W/BRN/RED
10	WHT	29	W/BRN/ORG
11	W/BLK	30	W/BRN/YEL
12	W/BRN	31	W/BRN/GRN
13	W/RED	32	W/BRN/BLU
14	W/ORG	33	W/BRN/VIO
15	W/YEL	34	W/BRN/GRY
16	W/GRN	35	W/RED/ORG
17	W/BLU	36	W/RED/YEL
18	W/VIO	37	W/RED/GRN
19	W/GRY		



3. PERFORMANCE SPECIFICATIONS:  
 CURRENT RATING: SIGNAL SOCKETS: 3A MAX  
 INSULATION RESISTANCE: 5000 MΩ  
 DWV: 600 VAC  
 TEMPERATURE RATING: 125°C  
 CONTACT RESISTANCE: 8 mΩ MAX AT 2.5 AMPS

MATERIALS:  
 SHELL: 6061-T6 ALUMINUM PER SAE-AMS-QQ-A200/8 CADMIUM PLATED  
 PER SAE-AMS-QQ-P-416  
 INSULATOR AND BACKSHELL: PPS PER MIL-M-24519 GST-40F,  
 COLOR: BLACK  
 PIN CONTACTS: C17200 BERYLLIUM COPPER PER ASTM B194,  
 GOLD PLATED PER ASTM B488

1. MARKINGS: UMI, UMI PART NO., AND DATE CODE  
 NOTES: UNLESS OTHERWISE SPECIFIED

QUALITY SYMBOLS MAJOR  CRITICAL  SPC 	UNLESS SPECIFIED: ALL DIMENSIONS IN INCHES GENERAL TOLERANCES: 3 PLACE ±.005 2 PLACE ±.01 ANGULAR ±2°	 WWW.UMI-C.COM
	DO NOT SCALE  THIRD ANGLE PROJECTION	
	Ulti-Mate CAGE CODE <b>58967</b>	

THIS DRAWING CONTAINS INFORMATION THAT IS PROPRIETARY TO ULTI-MATE INCORPORATED AND SHOULD NOT BE USED WITHOUT WRITTEN PERMISSION.

TITLE: RECTANGULAR CONNECTOR, SIZE 37, PLUG		
DRAWN BY & DATE: JBUZOIANU 08/31/2012	SCALE: 2:1	
MATERIAL:		SHEET: 1 OF 1
CAD FILENAME: SD-834160530.slddrw	PART NO. 834160530	REV. -