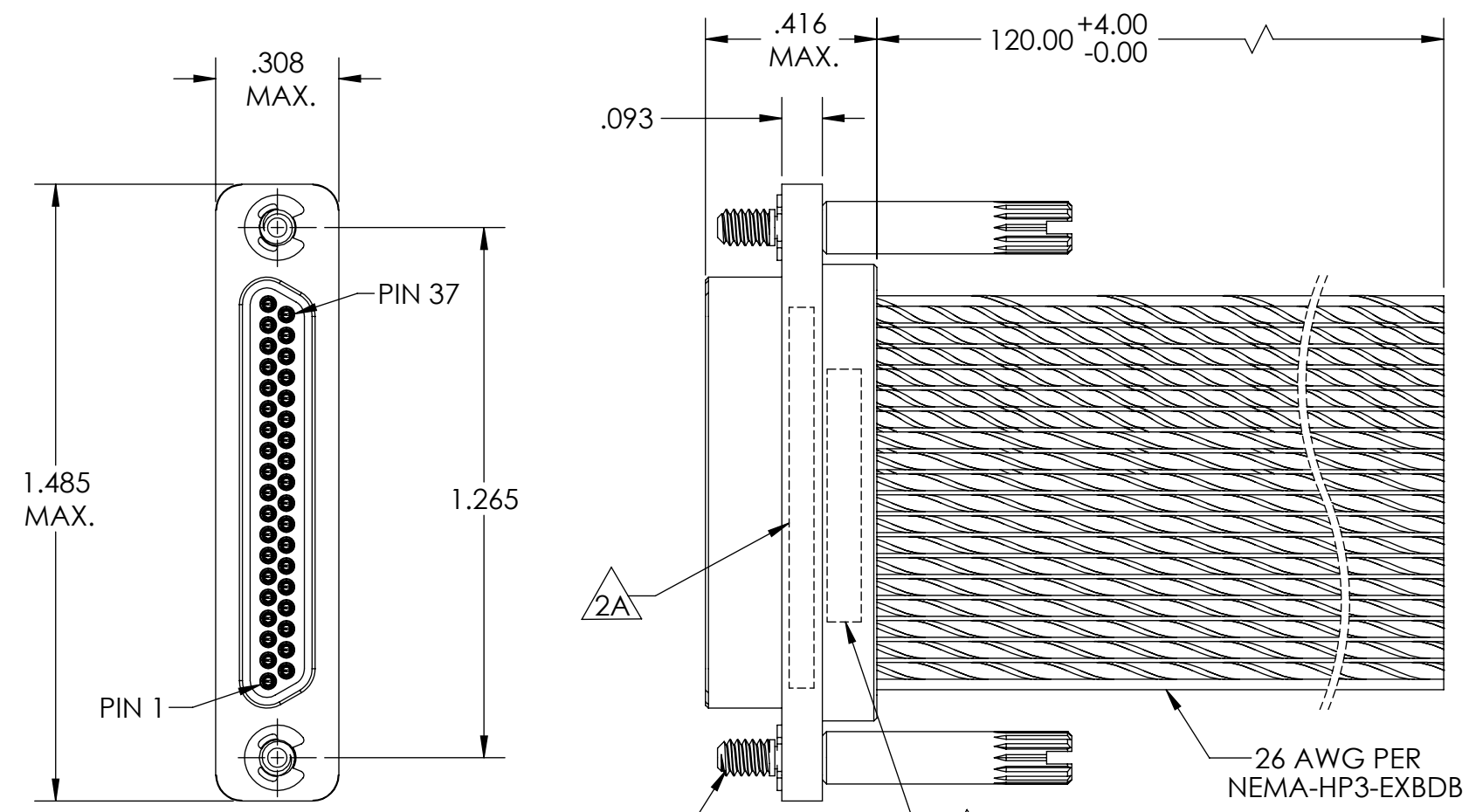
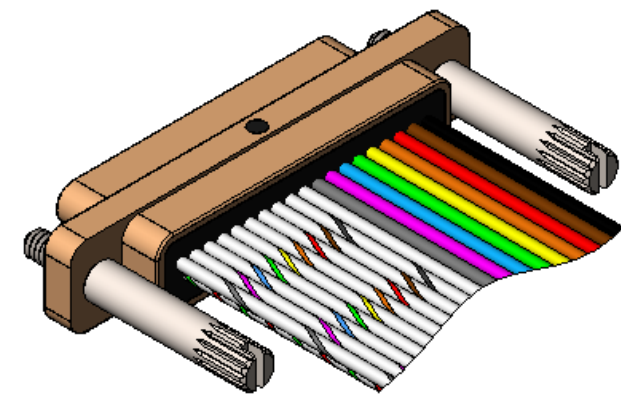
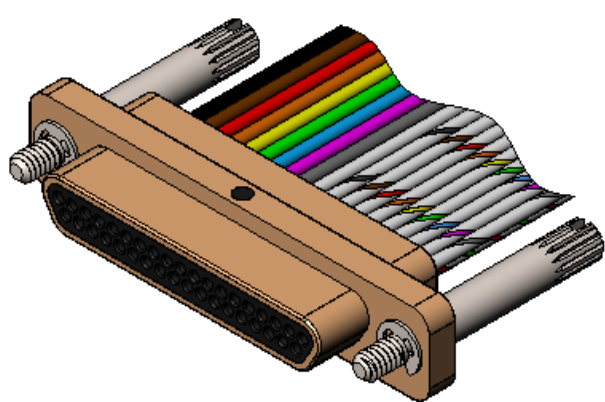


PART REV	DWG ISSUE	DATE	ECN NO.	APPVD BY	REL BY
-	-	4/28/16	UMI5959	DW	DW

F
E
D
C
B
A



1	BLK	20	W/BLK/BRN
2	BRN	21	W/BLK/RED
3	RED	22	W/BLK/ORG
4	ORG	23	W/BLK/YEL
5	YEL	24	W/BLK/GRN
6	GRN	25	W/BLK/BLU
7	BLU	26	W/BLK/VIO
8	VIO	27	W/BLK/GRY
9	GRY	28	W/BRN/RED
10	WHT	29	W/BRN/ORG
11	W/BLK	30	W/BRN/YEL
12	W/BRN	31	W/BRN/GRN
13	W/RED	32	W/BRN/BLU
14	W/ORG	33	W/BRN/VIO
15	W/YEL	34	W/BRN/GRY
16	W/GRN	35	W/RED/ORG
17	W/BLU	36	W/RED/YEL
18	W/VIO	37	W/RED/GRN
19	W/GRY		



4. PERFORMANCE SPECIFICATIONS:
 CURRENT RATING: 3 AMPS MAX.
 INSULATION RESISTANCE: 5000 MEGOHMS MIN.
 DWV: 600 VAC
 TEMPERATURE RATING: 125° C

3 MATERIALS:
 SHELL: 6061-T6 ALUMINUM PER AMS-QQ-A200/8, CADMIUM PLATED PER AMS-QQ-P-416
 INSULATOR: PPS PER MIL-M-24519 GST-40F, COLOR: BLACK
 PIN CONTACT: C17200 BERYLLIUM COPPER PER ASTM B194, GOLD PLATED PER ASTM B488
 HARDWARE: PASSIVATED STAINLESS STEEL IAW MIL-DTL-83513/5
 WIRE: 26 AWG PER NEMA-HP-EXBDB, COLOR CODE PER MIL-STD-681

2. MARKING:
 2A "UMI", DATE CODE, UMI PART NUMBER
 2B UMI WORK ORDER NUMBER

1. CONNECTOR ASSEMBLY IS IAW MIL-DTL-83513 UNLESS OTHERWISE SPECIFIED.
NOTES: UNLESS OTHERWISE SPECIFIED.

QUALITY SYMBOLS	UNLESS OTHERWISE SPECIFIED: ALL DIMENSIONS ARE IN INCHES	SCALE NONE	DWG SIZE B	THIRD ANGLE PROJECTION	REVISE ON CAD ONLY
CRITICAL C	GENERAL TOLERANCES: 3 PLACES ±.005 2 PLACES ±.01 ANGULAR ±2°	DRAWN BY & DATE DU 4/28/16	TITLE: MICRO-D CONNECTOR ASSEMBLY, MR37P06-26E5-120.0, CADMIUM PLT SHELL		
MAJOR	ULTI-MATE CAGE CODE 58967	CHECKED BY & DATE DW 4/28/16	MATERIAL: 3	ENG PROJECT #: NONE	
NO SYMBOLS = MINOR DIMENSIONS		APPROVED BY & DATE DW 4/28/16	PART NO. 834160346	DRAWING NO. SD-834160346	
THIS DRAWING CONTAINS INFORMATION THAT IS PROPRIETARY TO ULTI-MATE INCORPORATED AND SHOULD NOT BE USED WITHOUT WRITTEN PERMISSION.					