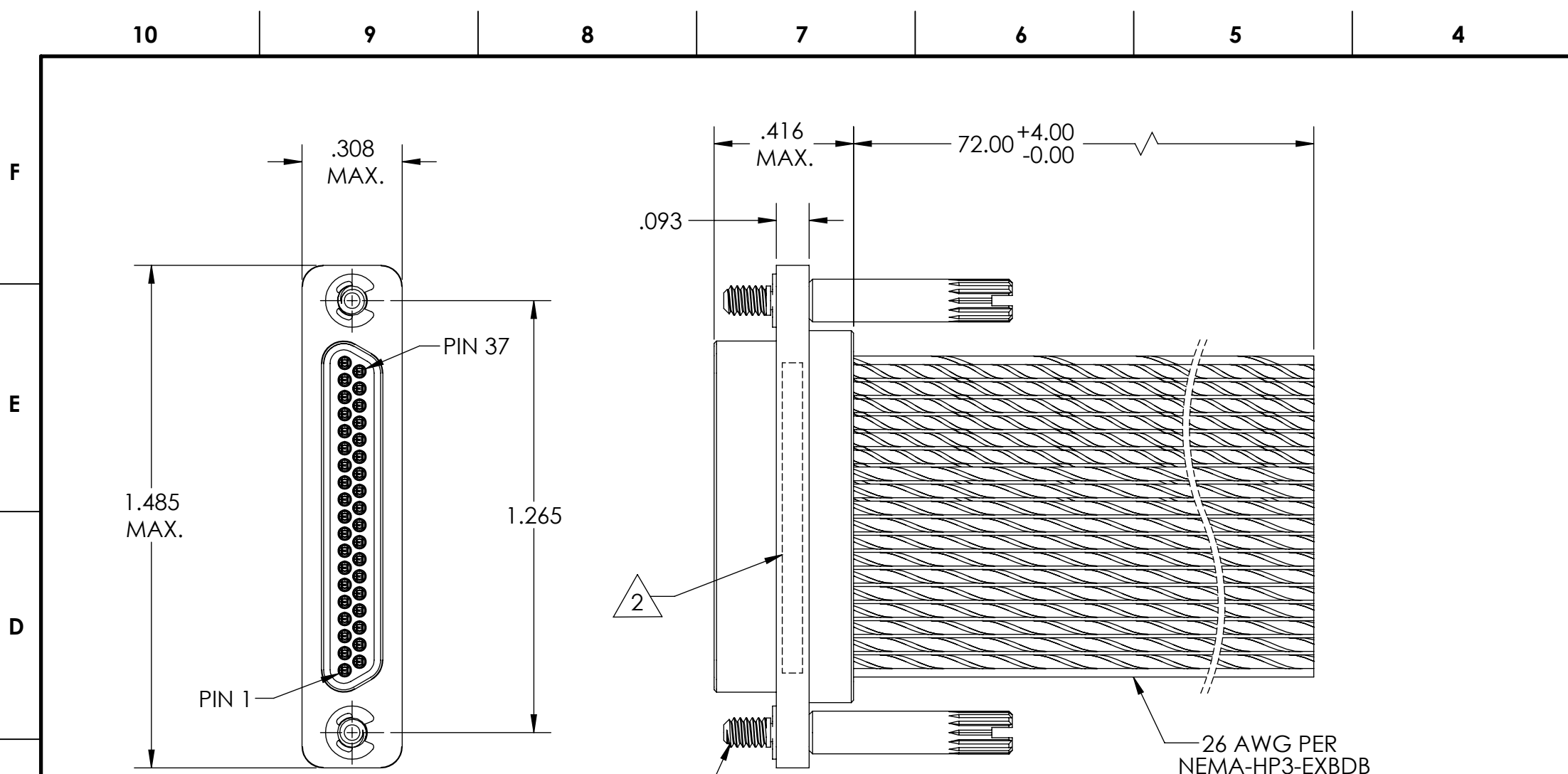


PART REV	DWG ISSUE	DATE	ECN NO.	APPVD BY	REL BY
-	-	7/7/17	UMI6423	DW	DW



1	BLK	20	W/BLK/BRN
2	BRN	21	W/BLK/RED
3	RED	22	W/BLK/ORG
4	ORG	23	W/BLK/YEL
5	YEL	24	W/BLK/GRN
6	GRN	25	W/BLK/BLU
7	BLU	26	W/BLK/VIO
8	VIO	27	W/BLK/GRY
9	GRY	28	W/BRN/RED
10	WHT	29	W/BRN/ORG
11	W/BLK	30	W/BRN/YEL
12	W/BRN	31	W/BRN/GRN
13	W/RED	32	W/BRN/BLU
14	W/ORG	33	W/BRN/VIO
15	W/YEL	34	W/BRN/GRY
16	W/GRN	35	W/RED/ORG
17	W/BLU	36	W/RED/YEL
18	W/VIO	37	W/RED/GRN
19	W/GRY		



4. PERFORMANCE SPECIFICATIONS:
 CURRENT RATING: 3 AMPS MAX.
 INSULATION RESISTANCE: 5000 MEGOHMS MIN.
 DWV: 600 VAC
 TEMPERATURE RATING: 125° C

3 MATERIALS:
 SHELL: 6061-T6 ALUMINUM PER AMS-QQ-A200/8, CADMIUM PLATED PER AMS-QQ-P-416
 INSULATOR: PPS PER MIL-M-24519 GST-40F, COLOR: BLACK
 PIN CONTACT: C17200 BERYLLIUM COPPER PER ASTM B194, GOLD PLATED PER ASTM B488
 HARDWARE: PASSIVATED STAINLESS STEEL IAW MIL-DTL-83513/5
 WIRE: 26 AWG PER NEMA-HP3-EXBDB, COLOR CODE PER MIL-STD-681

2 MARKING: "UMI", DATE CODE, UMI PART NUMBER, UMI WORK ORDER NUMBER

1. CONNECTOR ASSEMBLY IS IAW MIL-DTL-83513 UNLESS OTHERWISE SPECIFIED.
NOTES: UNLESS OTHERWISE SPECIFIED.

QUALITY SYMBOLS	UNLESS OTHERWISE SPECIFIED; ALL DIMENSIONS ARE IN INCHES	SCALE	DWG SIZE	THIRD ANGLE PROJECTION	REVISE ON CAD ONLY
CRITICAL C	GENERAL TOLERANCES: 3 PLACES ±.005 2 PLACES ±.01 ANGULAR ±2°	NONE	B	THIRD ANGLE PROJECTION	REVISE ON CAD ONLY
MAJOR ▲	UNLESS OTHERWISE SPECIFIED; ALL DIMENSIONS ARE IN INCHES	DRAWN BY & DATE DU 7/7/17		TITLE: MICRO-D CONNECTOR ASSEMBLY, MR37P06-26E5-72.0, CADMIUM PLT SHELL	
NO SYMBOLS = MINOR DIMENSIONS	UNLESS OTHERWISE SPECIFIED; ALL DIMENSIONS ARE IN INCHES	CHECKED BY & DATE DW 7/7/17		MATERIAL: 3	
	UNLESS OTHERWISE SPECIFIED; ALL DIMENSIONS ARE IN INCHES	APPROVED BY & DATE DW 7/7/17		ENG PROJECT #: NONE	
	UNLESS OTHERWISE SPECIFIED; ALL DIMENSIONS ARE IN INCHES	CAD FILE NAME SD-834160036.SLDDRW		PART NO. 834160036	
	UNLESS OTHERWISE SPECIFIED; ALL DIMENSIONS ARE IN INCHES	DRAWING NO. SD-834160036		SHEET NO. 1 of 1	
	UNLESS OTHERWISE SPECIFIED; ALL DIMENSIONS ARE IN INCHES	MULTI-MATE CAGE CODE 58967		PART REV. -	
	THIS DRAWING CONTAINS INFORMATION THAT IS PROPRIETARY TO ULTI-MATE INCORPORATED AND SHOULD NOT BE USED WITHOUT WRITTEN PERMISSION.				

