

1

2

3

4

5

6

7

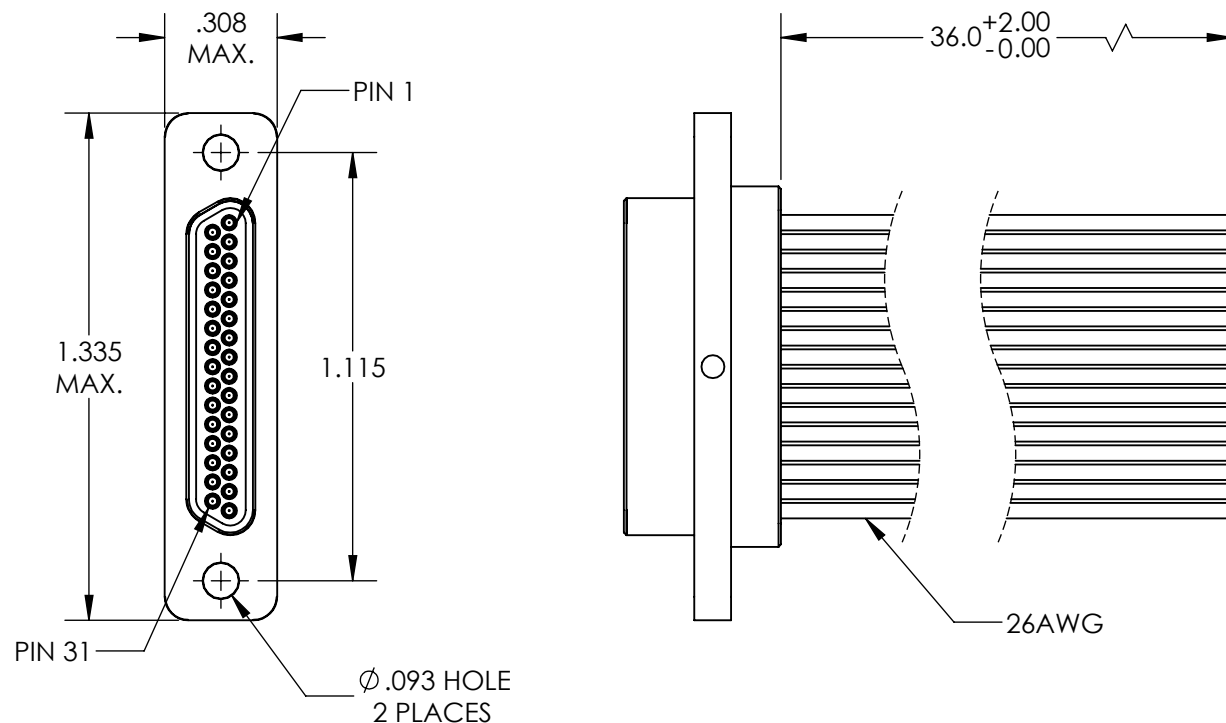
8

DWG# SD-834150530

## REVISIONS

DWG. ISSUE	PART REV.	ECN NO.	DATE
-	-	UMI4736	10/01/2012
-	-		

1	BLK
2	BRN
3	RED
4	ORG
5	YEL
6	GRN
7	BLU
8	VIO
9	GRY
10	WHT
11	W/BLK
12	W/BRN
13	W/RED
14	W/ORG
15	W/YEL
16	W/GRN
17	W/BLU
18	W/VIO
19	W/GRY
20	W/BLK/BRN
21	W/BLK/RED
22	W/BLK/ORG
23	W/BLK/YEL
24	W/BLK/GRN
25	W/BLK/BLU
26	W/BLK/VIO
27	W/BLK/GRY
28	W/BRN/RED
29	W/BRN/ORG
30	W/BRN/YEL
31	W/BRN/GRN



## 3. PERFORMANCE SPECIFICATIONS:

CURRENT RATING: 3A MAX.

INSULATION RESISTANCE: 5000 MΩ MIN.

DWV: 600 VAC

TEMPERATURE RATING: 125°C

CONTACT RESISTANCE: 8 mΩ MAX AT 2.5 AMPS

## MATERIALS:

SHELL: 6061-T6 ALUMINUM PER AMS-QQ-A200/8,  
CADMIUM PLATED PER AMS-QQ-P-416INSULATOR: PPS PER MIL-M-24519 GST-40F,  
COLOR: BLKPIN CONTACTS: C17200 BERYLLIUM COPPER PER ASTM B194,  
GOLD PLATED PER ASTM B488

INTERFACIAL SEAL: FLUOROSILICONE PER MIL-R-2598

## 1. MARKINGS: UMI, UMI PART NO., AND DATE CODE

NOTES: UNLESS OTHERWISE SPECIFIED

## QUALITY SYMBOLS

MAJOR



CRITICAL



SPC



## UNLESS SPECIFIED:

ALL DIMENSIONS IN INCHES

GENERAL TOLERANCES:  
3 PLACE ±.005  
2 PLACE ±.01  
ANGULAR ±2°

DO NOT SCALE

Ulti-Mate CAGE CODE  
**58967**

WWW.UMI-C.COM

THIS DRAWING CONTAINS INFORMATION THAT IS  
PROPRIETARY TO ULTI-MATE INCORPORATED AND  
SHOULD NOT BE USED WITHOUT WRITTEN PERMISSION.TITLE:  
MICRO-D CONNECTOR, PLUG  
SIZE 31, MR31P0-26E5-36.0DRAWN BY & DATE:  
J.BUZOIANU 10/01/2012SCALE:  
2:1

MATERIAL:

SHEET:  
1 OF 1CAD FILENAME:  
SD-834150530.slddrwPART NO.  
834150530REV.  
-