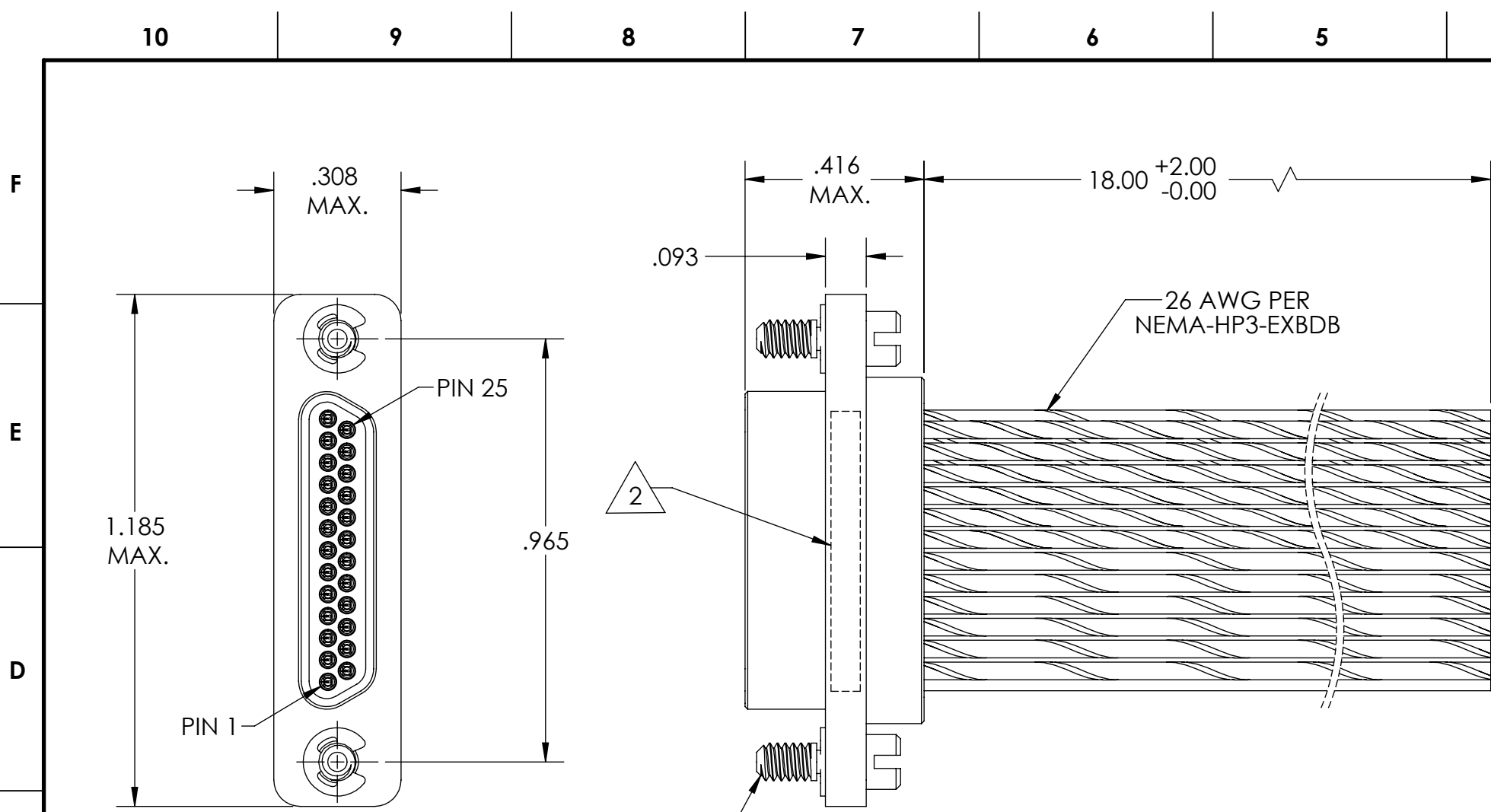
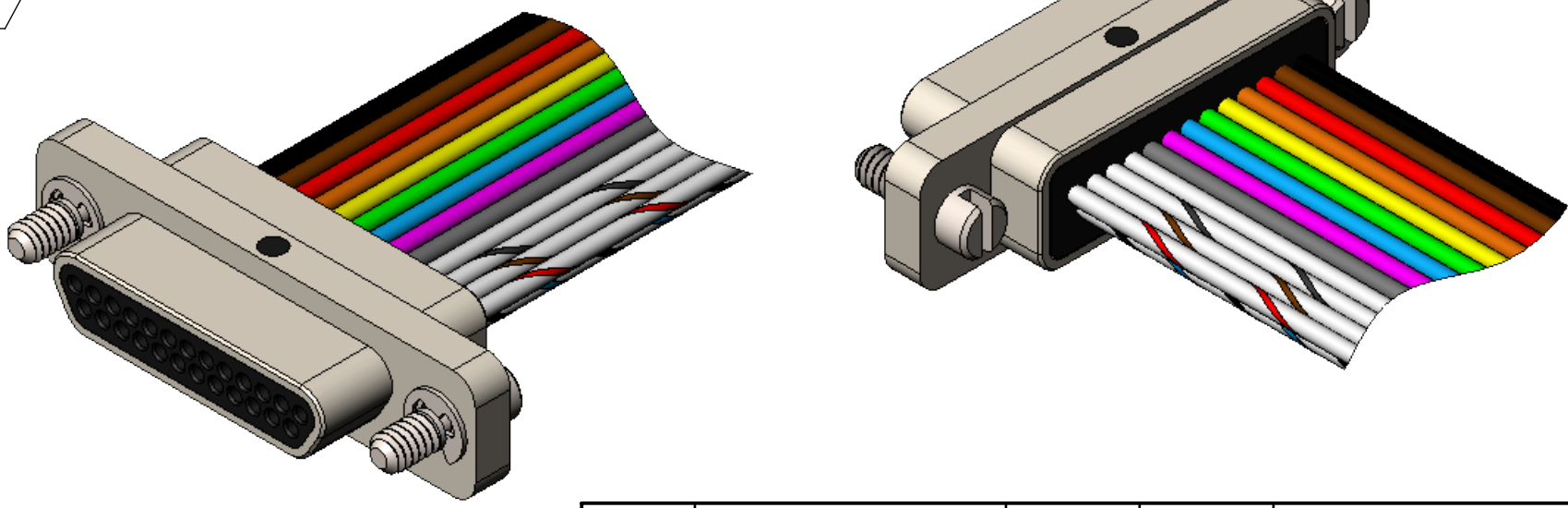


PART REV	DWG ISSUE	DATE	ECN NO.	APPVD BY	REL BY
-	-	6/13/17	UMI6392	DW	DW



2-56 JACKSCREW
LOW-PROFILE
SLOT HEAD
2X



1	BLK
2	BRN
3	RED
4	ORG
5	YEL
6	GRN
7	BLU
8	VIO
9	GRY
10	WHT
11	W/BLK
12	W/BRN
13	W/RED
14	W/ORG
15	W/YEL
16	W/GRN
17	W/BLU
18	W/VIO
19	W/GRY
20	W/BLK/BRN
21	W/BLK/RED
22	W/BLK/ORG
23	W/BLK/YEL
24	W/BLK/GRN
25	W/BLK/BLU

5. CONNECTOR ASSEMBLY IS RoHS COMPLIANT.

4. PERFORMANCE SPECIFICATIONS:
CURRENT RATING: 3 AMPS MAX.
INSULATION RESISTANCE: 5000 MEGOHMS MIN.
DWV: 600 VAC
TEMPERATURE RATING: 125° C

3 MATERIALS:
SHELL: 6061-T6 ALUMINUM PER AMS-QQ-A200/8, NICKEL PLATED PER AMS 2404
INSULATOR: PPS PER MIL-M-24519 GST-40F, COLOR: BLACK
PIN CONTACTS: C17200 BERYLLIUM COPPER PER ASTM B194, GOLD PLATED PER ASTM B488
WIRE: 26 AWG PER NEMA-HP3-EXBDB, COLOR CODED PER MIL-STD-681
HARDWARE: PASSIVATED STAINLESS STEEL IAW MIL-DTL-83513/5

2 MARKING: "UMI", DATE CODE, UMI PART NUMBER, UMI WORK ORDER NUMBER

1. CONNECTOR ASSEMBLY IS IAW MIL-DTL-83513 UNLESS OTHERWISE SPECIFIED.

NOTES: UNLESS OTHERWISE SPECIFIED.

QUALITY SYMBOLS CRITICAL MAJOR NO SYMBOLS = MINOR DIMENSIONS	UNLESS OTHERWISE SPECIFIED: ALL DIMENSIONS ARE IN INCHES	SCALE 3:1	DWG SIZE B	THIRD ANGLE PROJECTION	REVISE ON CAD ONLY		
	GENERAL TOLERANCES: 3 PLACES ±.005 2 PLACES ±.01 ANGULAR ±2°	DRAWN BY & DATE DU 6/13/17		TITLE: MICRO-D CONNECTOR ASSEMBLY, MR25P05-26E5-18.0-S01, LOW-PROFILE JACKSCREWS			
		CHECKED BY & DATE DW 6/13/17		MATERIAL: 3	ENG PROJECT #: NONE		
		APPROVED BY & DATE DW 6/13/17		PART NO. 834141075	DRAWING NO. SD-834141075		
	ULTI-MATE CAGE CODE 58967	CAD FILE NAME SD-834141075.SLDDRW	PART NO. 834141075		DRAWING NO. SD-834141075	PART REV. -	
THIS DRAWING CONTAINS INFORMATION THAT IS PROPRIETARY TO ULTI-MATE INCORPORATED AND SHOULD NOT BE USED WITHOUT WRITTEN PERMISSION.							