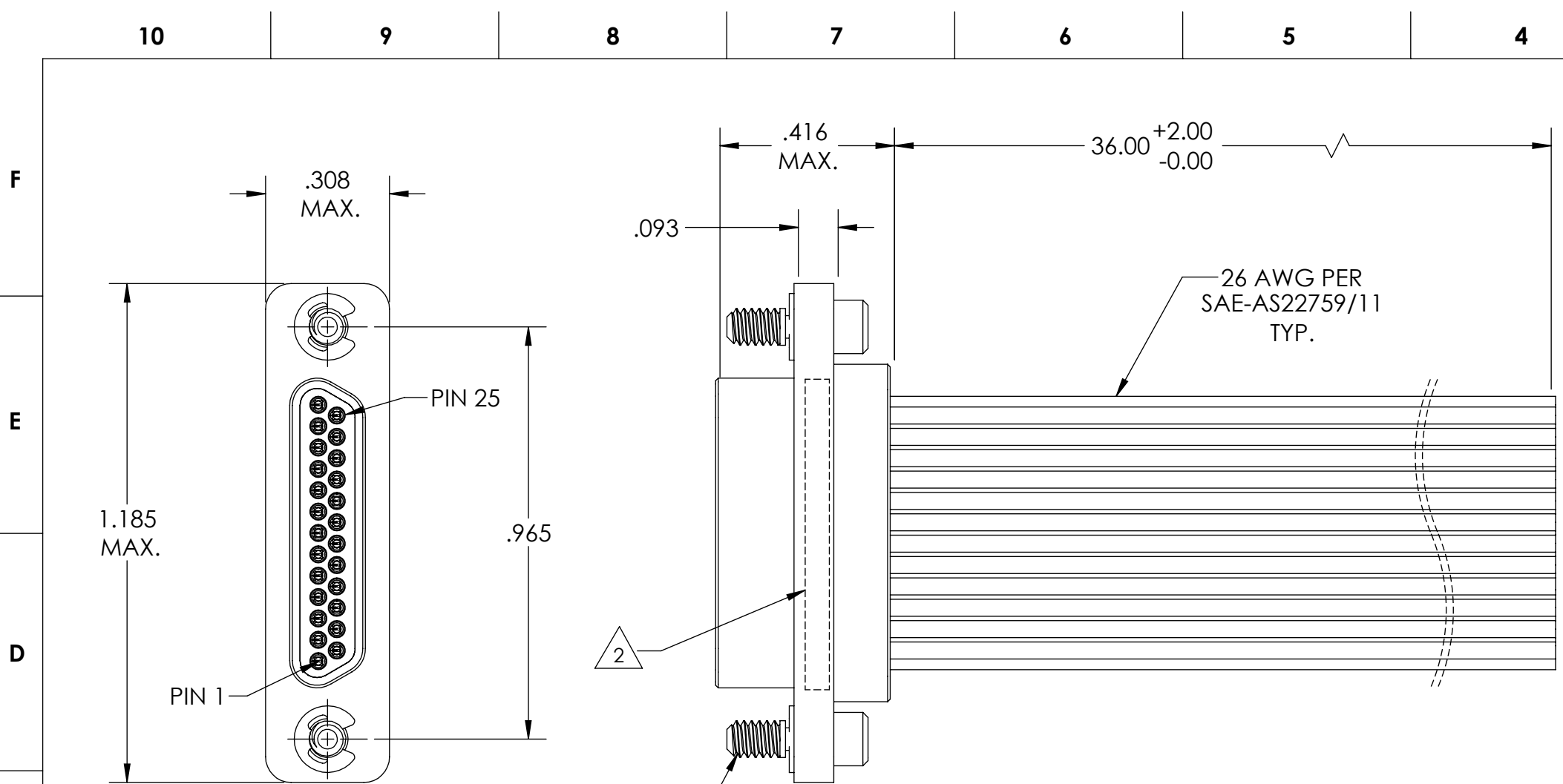
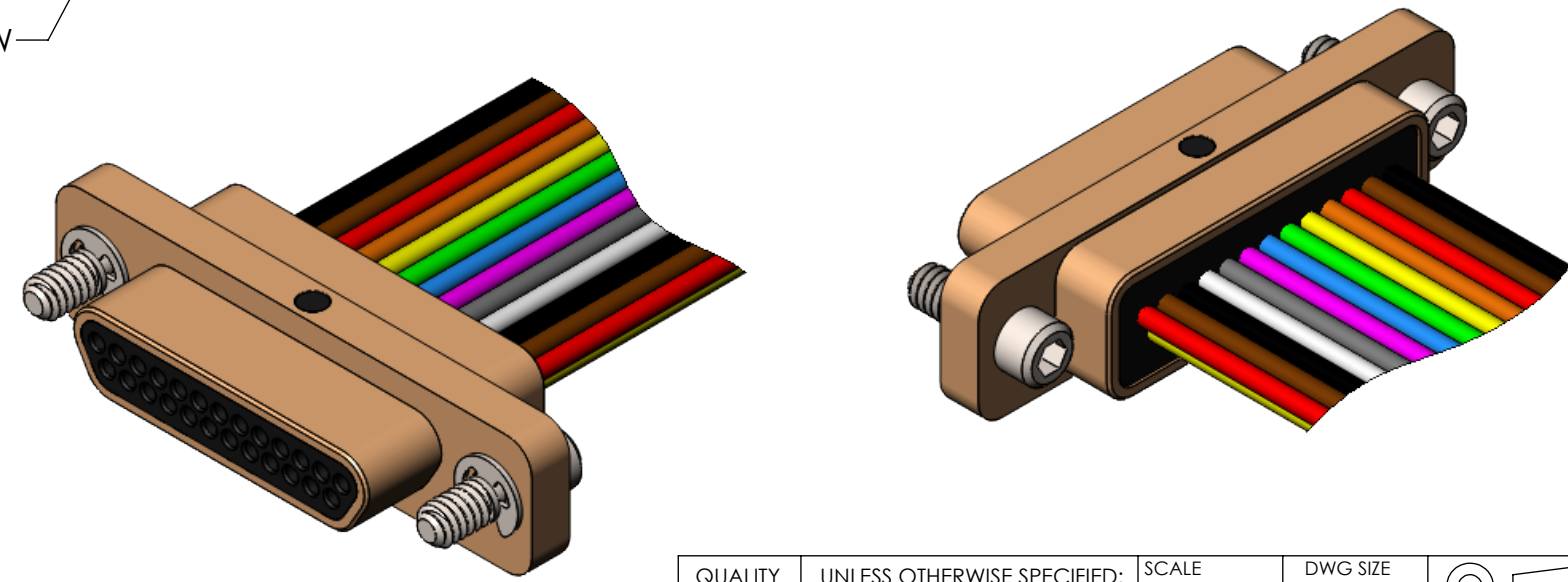


PART REV	DWG ISSUE	DATE	ECN NO.	APPVD BY	REL BY
-	-	8/1/19	UMI7231	DU	DW



1	BLK
2	BRN
3	RED
4	ORG
5	YEL
6	GRN
7	BLU
8	VIO
9	GRY
10	WHT
11	BLK
12	BRN
13	RED
14	ORG
15	YEL
16	GRN
17	BLU
18	VIO
19	GRY
20	WHT
21	BLK
22	BRN
23	RED
24	ORG
25	YEL

2-56 JACKSCREW  
ALLEN HEAD  
LOW-PROFILE  
2X



- 5. CONTACT HEIGHTS ARE TO BE PER QA-STD-101.
- 4. PERFORMANCE SPECIFICATIONS:  
CURRENT RATING: 3 AMP MAX.  
DWV: 600 VAC  
TEMPERATURE RATING: -55°C TO 125°C

3 MATERIALS:  
SHELL: 6061-T6 ALUMINUM PER AMS-QQ-A200/8, CADMIUM PLATED PER AMS-QQ-P-416  
INSULATOR: PPS PER MIL-M-24519 GST-40F, COLOR: BLACK  
PIN CONTACTS: C17200 BERYLLIUM COPPER PER ASTM B194, GOLD PLATED PER ASTM B488  
WIRES: 26 AWG PER SAE-AS22759/11, REPEATING 10 COLORS PER MIL-STD-681  
HARDWARE: PASSIVATED STAINLESS STEEL IAW MIL-DTL-83513/5

2 MARKING: "UMI", DATE CODE, UMI PART NUMBER, UMI WORK ORDER NUMBER

1. CONNECTOR ASSEMBLY IS IAW MIL-DTL-83513 UNLESS OTHERWISE SPECIFIED.

**NOTES: UNLESS OTHERWISE SPECIFIED.**

QUALITY SYMBOLS CRITICAL C MAJOR ▼ NO SYMBOLS = MINOR DIMENSIONS	UNLESS OTHERWISE SPECIFIED: ALL DIMENSIONS ARE IN INCHES	SCALE <b>3:1</b>	DWG SIZE <b>B</b>	THIRD ANGLE PROJECTION	<b>REVISE ON CAD ONLY</b>		
	GENERAL TOLERANCES:  3 PLACES ±.005 2 PLACES ±.01 ANGULAR ±2°	DRAWN BY & DATE <b>DU 8/1/19</b>		TITLE: <b>MICRO-D CONNECTOR ASSEMBLY, MR25P02-26M6-36.0, CADMIUM PLATED SHELL</b>			
		CHECKED BY & DATE <b>DW 8/1/19</b>		MATERIAL:	ENG PROJECT #:		
		APPROVED BY & DATE <b>DW 8/1/19</b>		3	<b>NONE</b>		
	ULTI-MATE CAGE CODE <b>58967</b>	CAD FILE NAME <b>SD-834140802.slddrw</b>	PART NO. <b>834140802</b>	DRAWING NO. <b>SD-834140802</b>	SHEET NO. <b>1 of 1</b>	PART REV. <b>-</b>	
THIS DRAWING CONTAINS INFORMATION THAT IS PROPRIETARY TO ULTI-MATE INCORPORATED AND SHOULD NOT BE USED WITHOUT WRITTEN PERMISSION.							