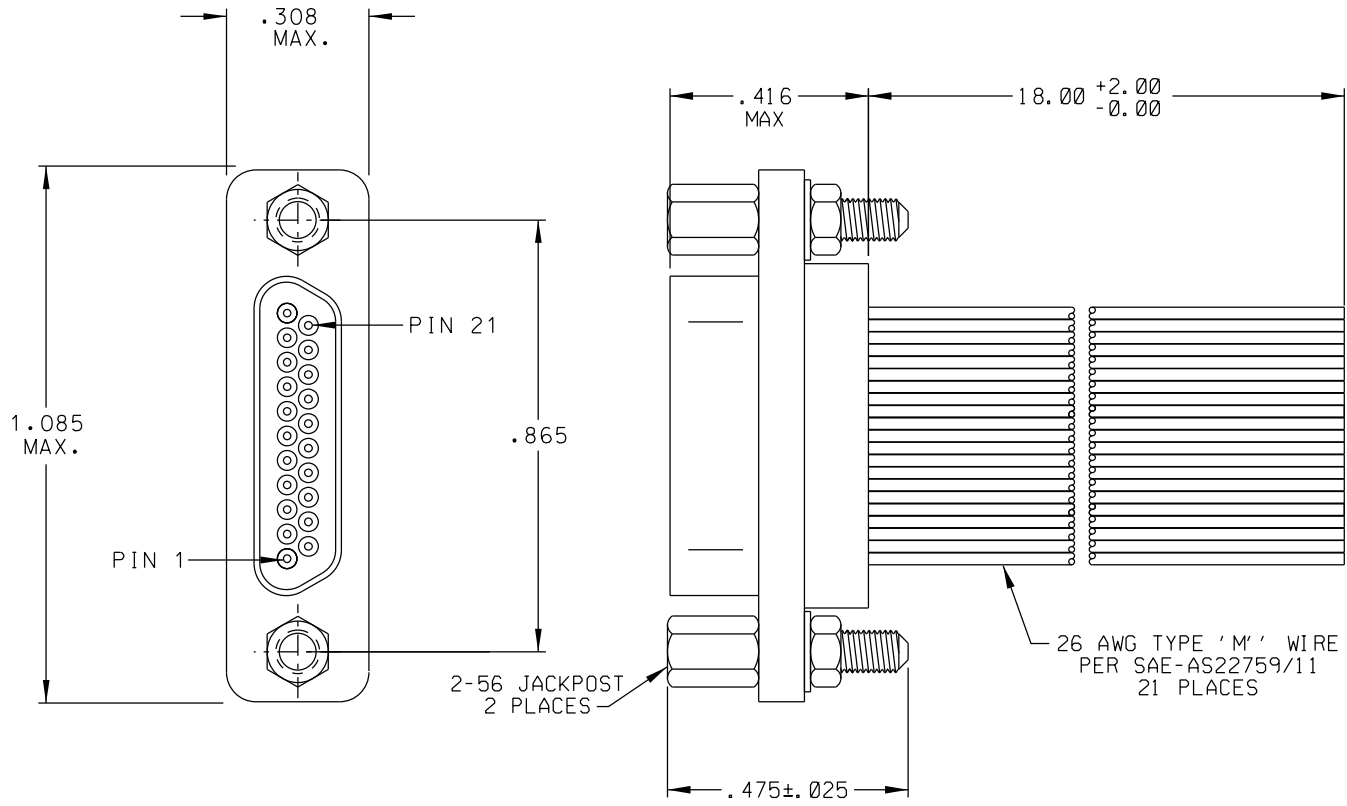


PART REV	DWG ISSUE	DATE	ECN NO.	APPVD BY	REL BY
-	-	10-18-11	UMI 4488		



1	BLK
2	BRN
3	RED
4	ORG
5	YEL
6	GRN
7	BLU
8	VIO
9	GRY
10	WHT
11	W/BLK
12	W/BRN
13	W/RED
14	W/ORG
15	W/YEL
16	W/GRN
17	W/BLU
18	W/VIO
19	W/GRY
20	W/BLK/BRN
21	W/BLK/RED

26 AWG TYPE 'M' WIRE  
PER SAE-AS22759/11  
21 PLACES

**MATERIALS:**  
 SHELL: 6061-T6 ALUMINUM PER SAE-AMS-QQ-A-200/8, CADMIUM PLATED PER AMS-QQ-P-416  
 INSULATOR: PPS PER MIL-M-24519 GST-40F, COLOR: BLACK  
 PIN CONTACTS: BERYLLIUM COPPER PER ASTM B194, GOLD PLATED PER ASTM B488  
 HARDWARE: STAINLESS STEEL, PASSIVATED PER AMS-2700  
 1. MARKING: UMI, DATE CODE, UMI P/N.  
 NOTES: UNLESS OTHERWISE SPECIFIED.

<b>QUALITY SYMBOLS</b> MAJOR ▼ = 0 CRITICAL ▽ = 0 SPC S = 0	UNLESS SPECIFIED: ALL DIMENSIONS IN INCHES GENERAL TOLERANCES: 3 PLACE ± .005 2 PLACE ± .01 ANGULAR ± 2°	SCALE 4 : 1 DWG SIZE B	THIRD ANGLE PROJECTION	REVISE ON CAD ONLY	
	DRAWN BY & DATE DW 12-6-10	TITLE: CONNECTOR ASSEMBLY, MR21P07-26M5-18.0			
	CHECKED BY & DATE	MATERIAL: Uti-Mate Connector Inc.			
	APPROVED BY & DATE	CAD FILENAME SD-834130187.DGN	PART NO. 834130187	DRAWING NO. SD-834130187	SHEET NO. 1 OF 1
Uti-Mate CAGE CODE <b>58967</b>					THIS DRAWING CONTAINS INFORMATION THAT IS PROPRIETARY TO ULTI-MATE INCORPORATED AND SHOULD NOT BE USED WITHOUT WRITTEN PERMISSION.
					REV -