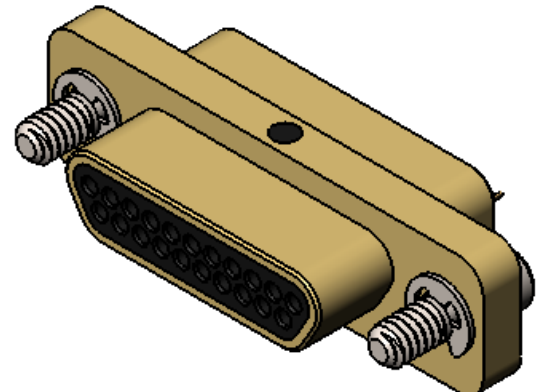
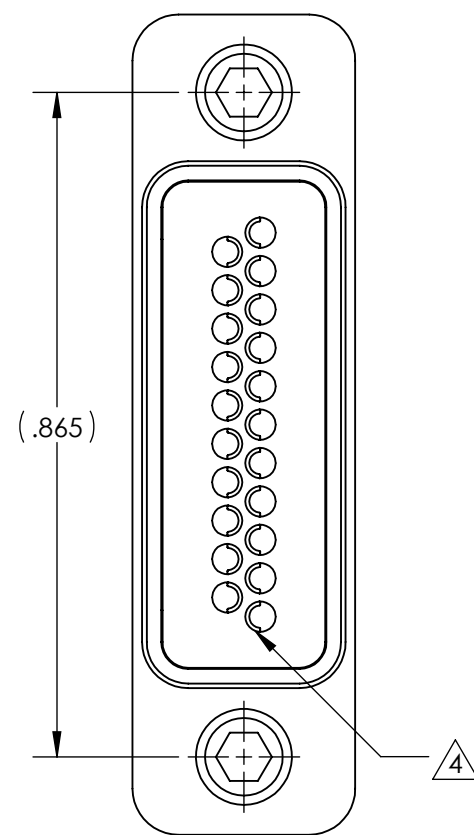
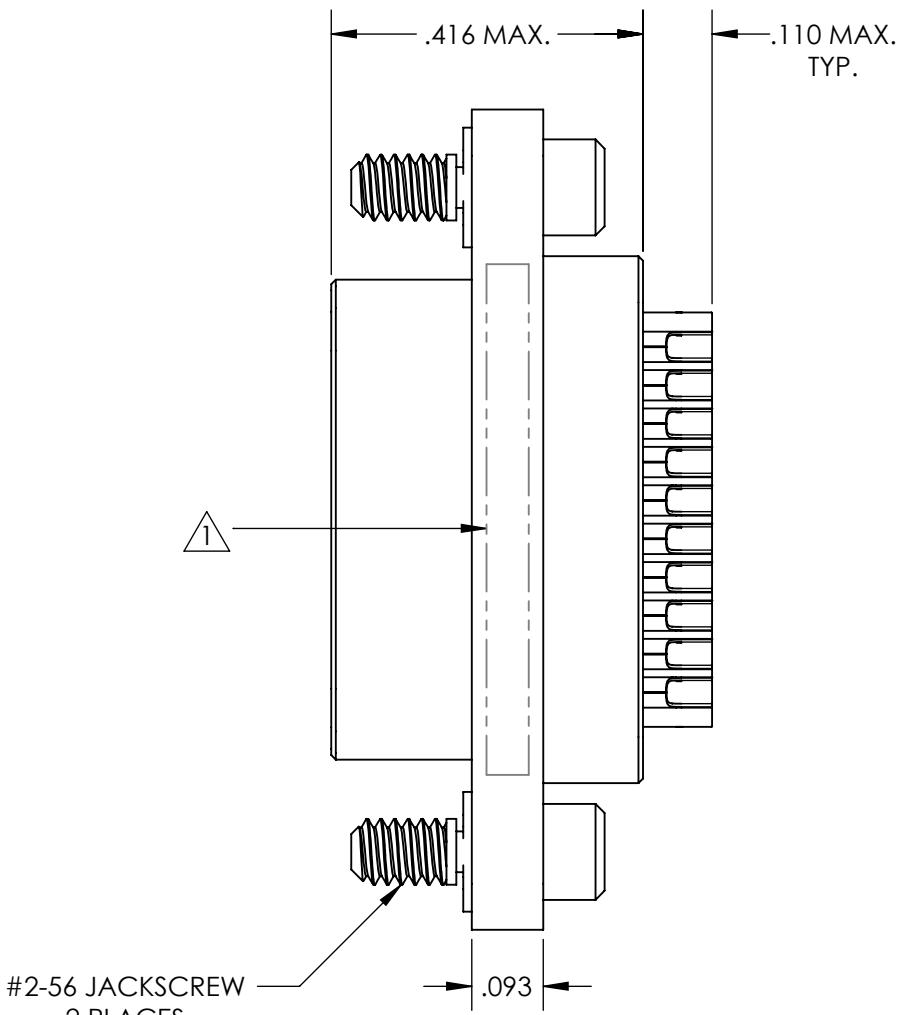
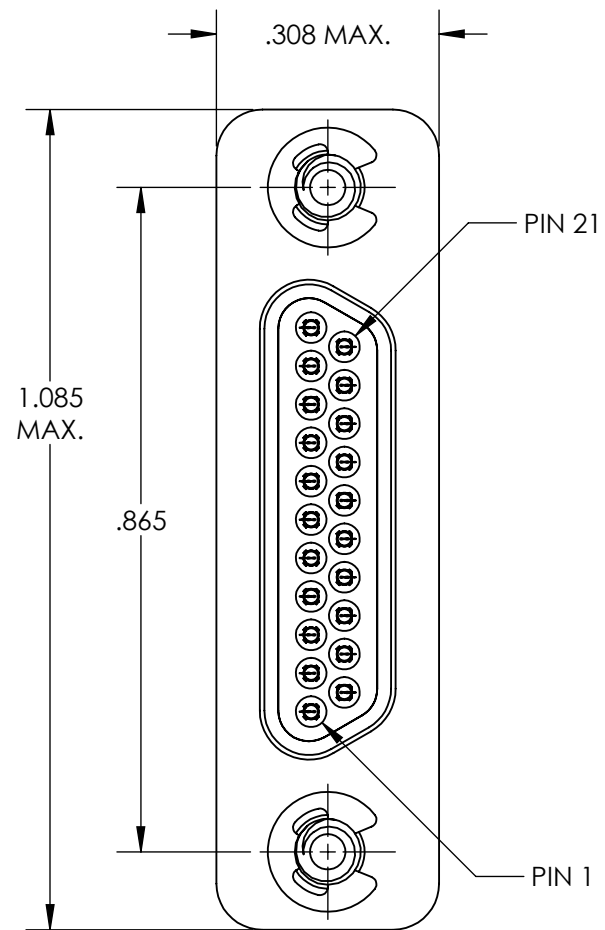


REVISIONS

| PART REV. | DWG. ISSUE | DATE       | ECN NO. | APPVD. BY | REL. BY |
|-----------|------------|------------|---------|-----------|---------|
| -         | -          | 10/13/2015 | UMI5767 | DW        | DW      |



△ 4 SOLDER CUPS TO BE ORIENTED AS SHOWN

3. PERFORMANCE SPECIFICATIONS:  
 CURRENT RATING: 3A MAX.  
 INSULATION RESISTANCE: 5000 MΩ MIN.  
 DWV: 600 VAC  
 TEMPERATURE RATING: 125 °C

△ 2 MATERIALS:  
 SHELL: 6061-T6 ALUMINUM PER AMS-QQ-A200/8, CADMIUM PLATED PER AMS-QQ-P-416  
 INSULATOR: PPS PER MIL-M-24519 GST-40F, COLOR: BLK  
 PIN CONTACTS: C17200 BERYLLIUM COPPER PER ASTM B194, GOLD PLATED PER ASTM B488  
 HARDWARE: PASSIVATED STAINLESS STEEL IAW MIL-DTL-83513/5

△ 1 MARKINGS: UMI, UMI PART NO., AND DATE CODE

**NOTES: UNLESS OTHERWISE SPECIFIED**

|                                                                                 |                                                                                               |                                     |                       |                                                                         |                            |                |
|---------------------------------------------------------------------------------|-----------------------------------------------------------------------------------------------|-------------------------------------|-----------------------|-------------------------------------------------------------------------|----------------------------|----------------|
| QUALITY SYMBOLS<br>CRITICAL<br>△ C<br>MAJOR<br>▼<br>NO SYMBOL = MINOR DIMENSION | <b>UNLESS SPECIFIED:</b><br>ALL DIMENSIONS IN INCHES                                          | SCALE 4:1                           | DWG SIZE B            | THIRD ANGLE PROJECTION                                                  | <b>REVISE ON CAD ONLY</b>  |                |
|                                                                                 | GENERAL TOLERANCES:                                                                           | DRAWN BY & DATE<br>JB 10/13/2015    |                       | TITLE<br>MICRO-D SOLDERABLE CONNECTOR, PLUG (PINS), 21 POSITION MR21N02 |                            |                |
|                                                                                 | 3 PLACE ±.005<br>2 PLACE ±.01<br>ANGULAR ±2°                                                  | CHECKED BY & DATE<br>DW 10-13-15    |                       | MATERIAL △ 2                                                            |                            |                |
|                                                                                 | ALL EXTERNAL SPECIFICATIONS REFERENCED ON THIS DRAWING SHALL BE THE LATEST REVISION IN EFFECT | APPROVED BY & DATE<br>DW 10-13-15   |                       | ENG PROJECT #                                                           |                            |                |
|                                                                                 | Ulti-Mate CAGE CODE<br><b>58967</b>                                                           | CAD FILENAME<br>SD-834130002.slddrw | PART NO.<br>834130002 | DRAWING NO.<br>SD-834130002                                             | SHEET NO.<br><b>1 OF 1</b> | PART REV.<br>- |

THIS DRAWING CONTAINS INFORMATION THAT IS PROPRIETARY TO ULTI-MATE INCORPORATED AND SHOULD NOT BE USED WITHOUT WRITTEN PERMISSION.