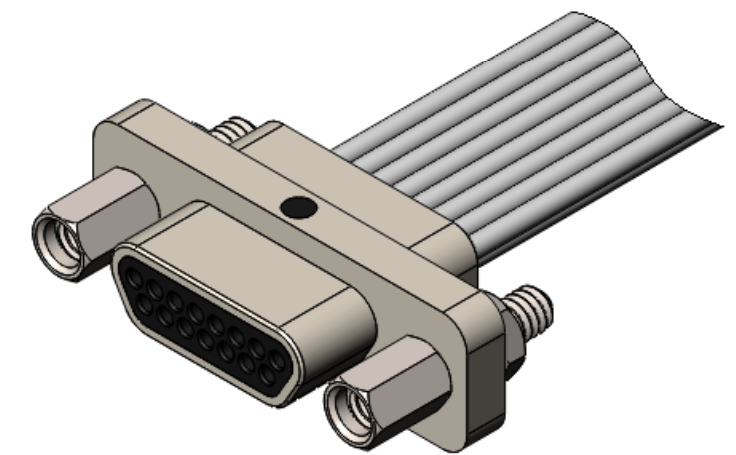
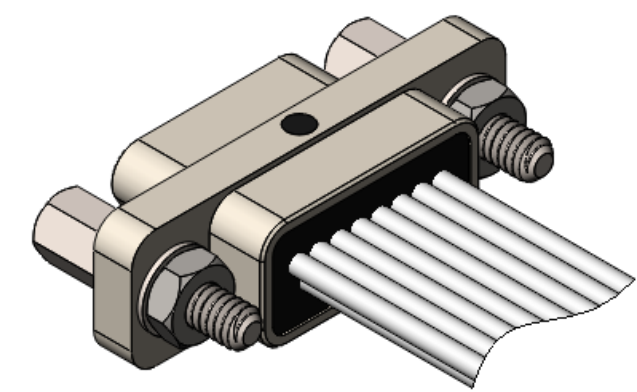
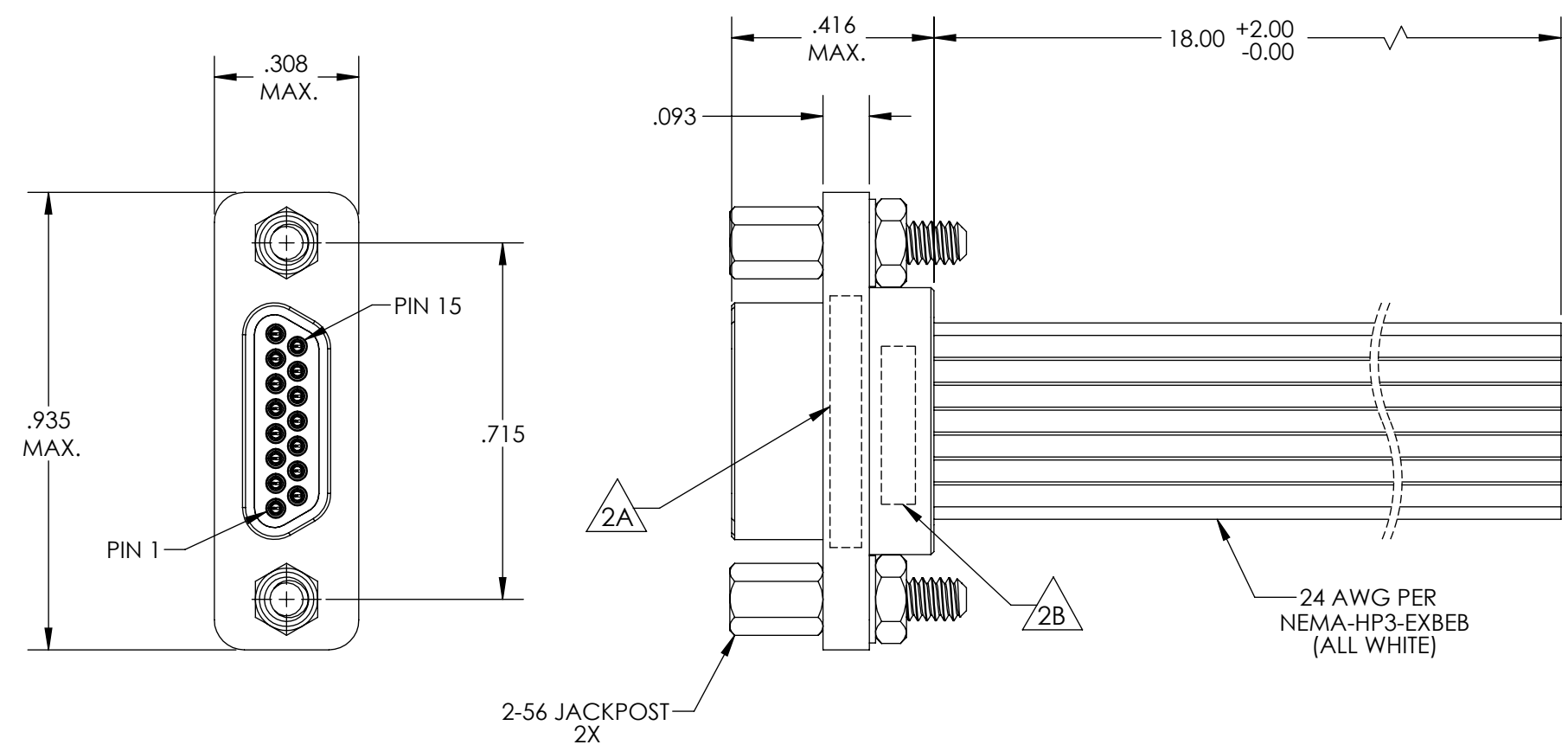


PART REV	DWG ISSUE	DATE	ECN NO.	APPVD BY	REL BY
-	-	6/28/16	UMI6014	DW	DW

F  
E  
D  
C  
B  
A



4. PERFORMANCE SPECIFICATIONS:  
CURRENT RATING: 3 AMPS MAX.  
DWV: 600 VAC  
TEMPERATURE RATING: 125° C

3 MATERIALS:  
SHELL: 6061-T6 ALUMINUM PER AMS-QQ-A200/8, NICKEL PLATED PER AMS-2404  
INSULATOR: PPS PER MIL-M-24519 GST-40F, COLOR: BLACK  
PIN CONTACTS: C17200 BERYLLIUM COPPER PER ASTM B194, GOLD PLATED PER ASTM B488  
WIRE: 24 AWG PER NEMA-HP3-EXBEB, ALL WHITE  
HARDWARE: PASSIVATED STAINLESS STEEL IAW MIL-DTL-83513/5

2. MARKING: **2A** "UMI", DATE CODE, UMI PART NUMBER  
**2B** UMI PART NUMBER WORK ORDER NUMBER

1. CONNECTOR ASSEMBLY IS IAW MIL-DTL-83513 UNLESS OTHERWISE SPECIFIED.

**NOTES: UNLESS OTHERWISE SPECIFIED.**

QUALITY SYMBOLS CRITICAL <b>C</b> MAJOR <b>▼</b> NO SYMBOLS = MINOR DIMENSIONS	UNLESS OTHERWISE SPECIFIED: ALL DIMENSIONS ARE IN INCHES	SCALE <b>3 : 1</b>	DWG SIZE <b>B</b>	THIRD ANGLE PROJECTION	<b>REVISE ON CAD ONLY</b>		
	GENERAL TOLERANCES:  3 PLACES ±.005 2 PLACES ±.01 ANGULAR ±2°	DRAWN BY & DATE <b>DU 6/28/16</b>		TITLE: <b>MICRO-D CONNECTOR ASSEMBLY, MR15P07-24E1-18.0-S01, 2-56 JACKPOST, NICKEL PLATED SHELL</b>			
		CHECKED BY & DATE <b>DW 6/28/16</b>		MATERIAL: <b>3</b>	ENG PROJECT #: <b>NONE</b>		
		APPROVED BY & DATE <b>DW 6/28/16</b>		PART NO. <b>834121387</b>	DRAWING NO. <b>SD-834121387</b>		
	ULTI-MATE CAGE CODE <b>58967</b>	CAD FILE NAME <b>SD-834121387.sliddrw</b>		PART REV. <b>-</b>			
THIS DRAWING CONTAINS INFORMATION THAT IS PROPRIETARY TO ULTI-MATE INCORPORATED AND SHOULD NOT BE USED WITHOUT WRITTEN PERMISSION.							