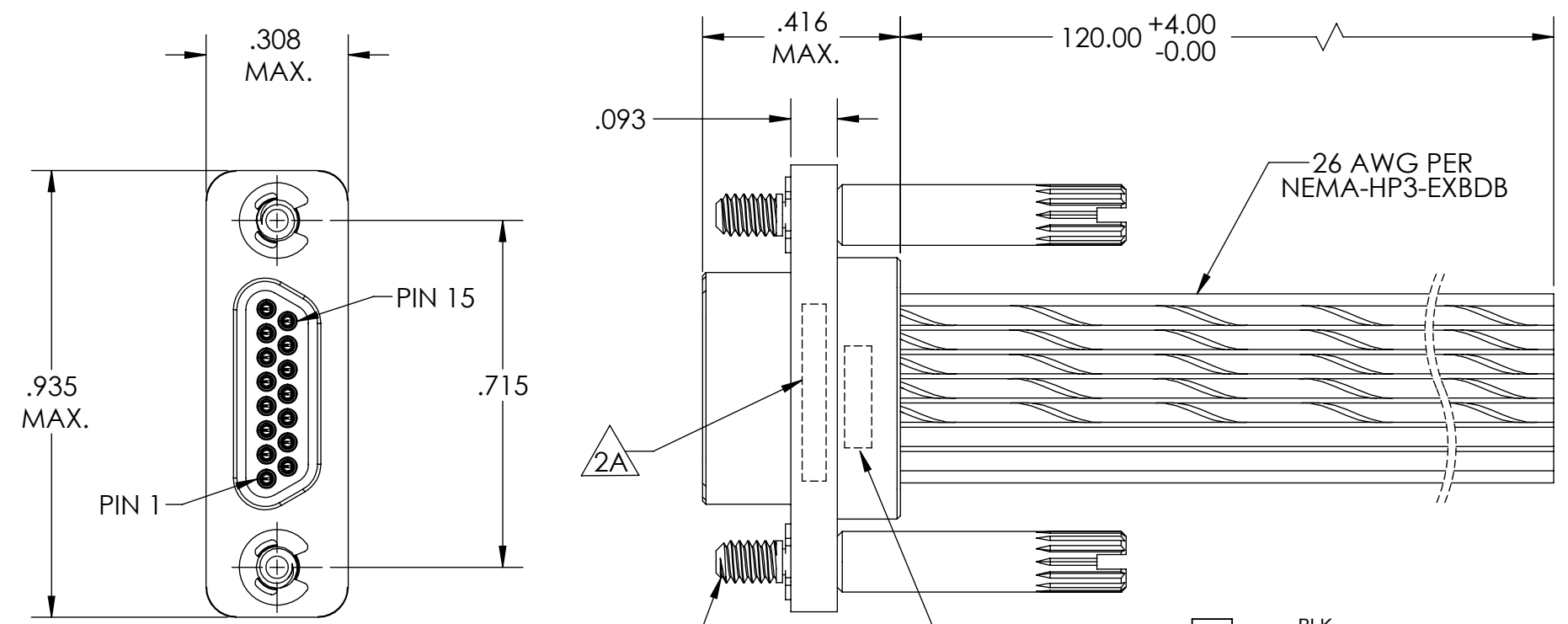


PART REV	DWG ISSUE	DATE	ECN NO.	APPVD BY	REL BY
-	-	4/28/16	UMI5959	DW	DW

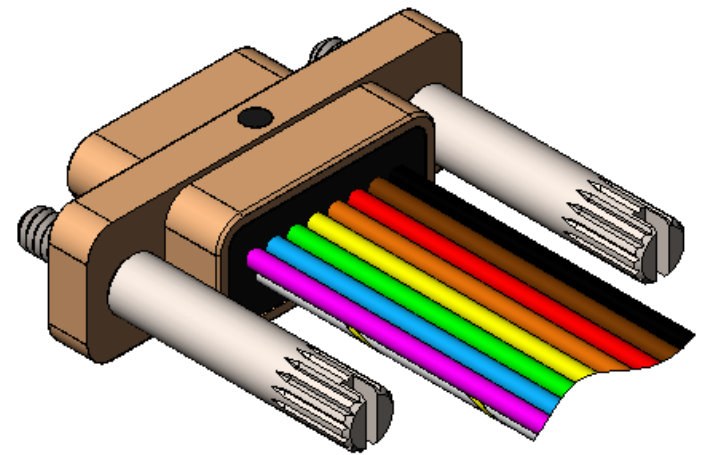
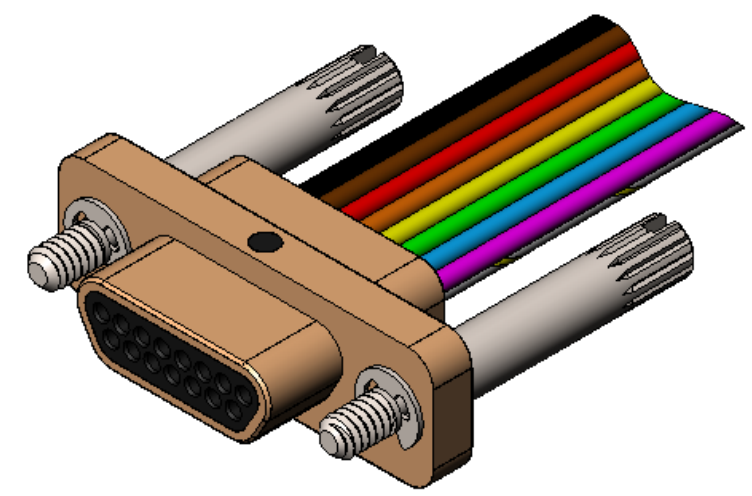
F
E
D
C
B
A



2-56 JACKSCREW
HIGH-PROFILE
SLOTTED
2X

26 AWG PER
NEMA-HP3-EXBDB

1	BLK
2	BRN
3	RED
4	ORG
5	YEL
6	GRN
7	BLU
8	VIO
9	GRY
10	WHT
11	W/BLK
12	W/BRN
13	W/RED
14	W/ORG
15	W/YEL



4. PERFORMANCE SPECIFICATIONS:
CURRENT RATING: 3 AMPS MAX.
INSULATION RESISTANCE: 5000 MEGOHMS MIN.
DWV: 600 VAC
TEMPERATURE RATING: 125° C

3 MATERIALS:
SHELL: 6061-T6 ALUMINUM PER AMS-QQ-A200/8, CADMIUM PLATED PER AMS-QQ-P-416
INSULATOR: PPS PER MIL-M-24519 GST-40F, COLOR: BLACK
PIN CONTACT: C17200 BERYLLIUM COPPER PER ASTM B194, GOLD PLATED PER ASTM B488
HARDWARE: PASSIVATED STAINLESS STEEL IAW MIL-DTL-83513/5
WIRE: 26 AWG PER NEMA-HP-EXBDB, COLOR CODE PER MIL-STD-681

2. MARKING:
2A "UMI", DATE CODE, UMI PART NUMBER
2B UMI WORK ORDER NUMBER

1. CONNECTOR ASSEMBLY IS IAW MIL-DTL-83513 UNLESS OTHERWISE SPECIFIED.
NOTES: UNLESS OTHERWISE SPECIFIED.

QUALITY SYMBOLS CRITICAL MAJOR NO SYMBOLS = MINOR DIMENSIONS	UNLESS OTHERWISE SPECIFIED: ALL DIMENSIONS ARE IN INCHES	SCALE 3:1	DWG SIZE B	THIRD ANGLE PROJECTION	REVISE ON CAD ONLY		
	GENERAL TOLERANCES: 3 PLACES ±.005 2 PLACES ±.01 ANGULAR ±2°	DRAWN BY & DATE DU 4/28/16	TITLE: MICRO-D CONNECTOR ASSEMBLY, MR15P06-26E5-120.0, CADMIUM PLT SHELL		MATERIAL: 3	ENG PROJECT #: NONE	
	ULTI-MATE CAGE CODE 58967	CHECKED BY & DATE DW 4/28/16	APPROVED BY & DATE DW 4/28/16	CAD FILE NAME SD-834120346.SLDDRW	PART NO. 834120346	DRAWING NO. SD-834120346	SHEET NO. 1 of 1
	THIS DRAWING CONTAINS INFORMATION THAT IS PROPRIETARY TO ULTI-MATE INCORPORATED AND SHOULD NOT BE USED WITHOUT WRITTEN PERMISSION.						PART REV. -