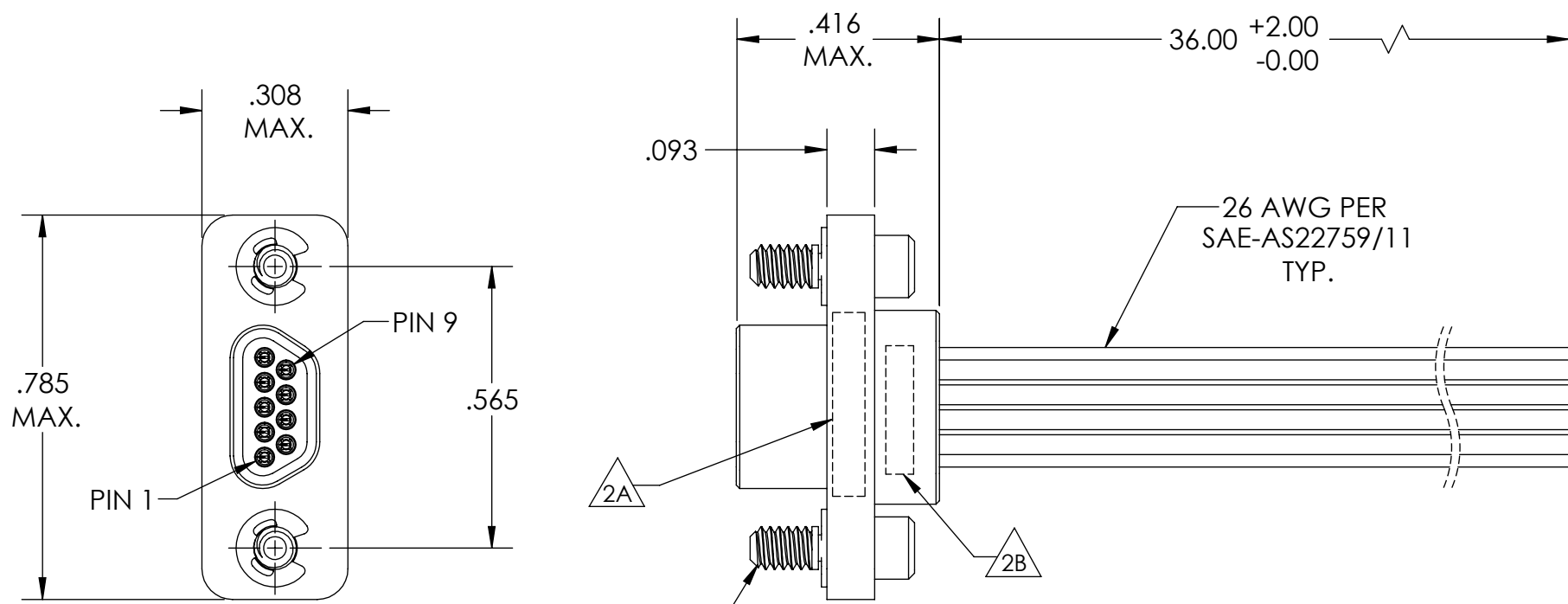


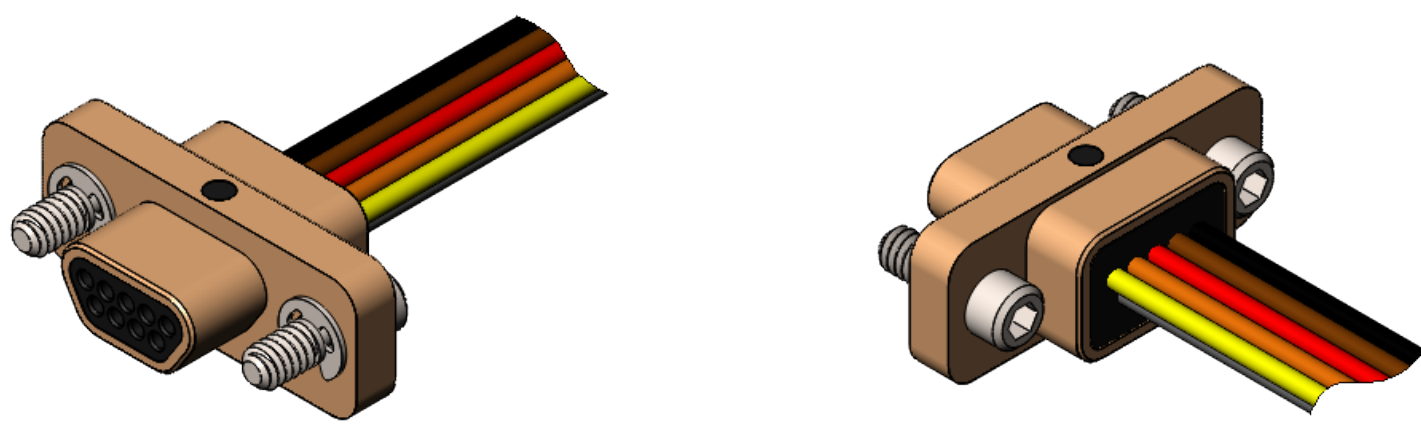
PART REV	DWG ISSUE	DATE	ECN NO.	APPVD BY	REL BY
-	-	8/1/19	UMI7231	DU	DW

F
E
D
C
B
A



1	BLK
2	BRN
3	RED
4	ORG
5	YEL
6	GRN
7	BLU
8	VIO
9	GRY

2-56 JACKSCREW
ALLEN HEAD
LOW-PROFILE
2X



- 5. CONTACT HEIGHTS ARE TO BE PER QA-STD-101.
- 4. PERFORMANCE SPECIFICATIONS:
CURRENT RATING: 3 AMP MAX.
DWV: 600 VAC
TEMPERATURE RATING: -55°C TO 125°C

3 MATERIALS:
SHELL: 6061-T6 ALUMINUM PER AMS-QQ-A200/8, CADMIUM PLATED PER AMS-QQ-P-416
INSULATOR: PPS PER MIL-M-24519 GST-40F, COLOR: BLACK
PIN CONTACTS: C17200 BERYLLIUM COPPER PER ASTM B194, GOLD PLATED PER ASTM B488
WIRES: 26 AWG PER SAE-AS22759/11, REPEATING 10 COLORS PER MIL-STD-681
HARDWARE: PASSIVATED STAINLESS STEEL IAW MIL-DTL-83513/5

- 2. MARKING: $\triangle 2A$ "UMI", DATE CODE, UMI PART NUMBER
 $\triangle 2B$ DATE CODE, UMI WORK ORDER NUMBER
- 1. CONNECTOR ASSEMBLY IS IAW MIL-DTL-83513 UNLESS OTHERWISE SPECIFIED.

NOTES: UNLESS OTHERWISE SPECIFIED.

QUALITY SYMBOLS CRITICAL $\triangle C$ MAJOR \blacktriangledown NO SYMBOLS = MINOR DIMENSIONS	UNLESS OTHERWISE SPECIFIED; ALL DIMENSIONS ARE IN INCHES	SCALE 3:1	DWG SIZE B	THIRD ANGLE PROJECTION		REVISE ON CAD ONLY		
	GENERAL TOLERANCES: 3 PLACES $\pm .005$ 2 PLACES $\pm .01$ ANGULAR $\pm 2^\circ$	DRAWN BY & DATE DU 8/1/19		TITLE: MICRO-D CONNECTOR ASSEMBLY, MR09P02-26M6-36.0, CADMIUM PLATED SHELL				
		CHECKED BY & DATE DW 8/1/19		MATERIAL:	ENG PROJECT #:			
		APPROVED BY & DATE DW 8/1/19		$\triangle 3$	NONE			
	ULTI-MATE CAGE CODE 58967	CAD FILE NAME SD-834110802.slddrw	PART NO. 834110802	DRAWING NO. SD-834110802	SHEET NO. 1 of 1	PART REV. -		
THIS DRAWING CONTAINS INFORMATION THAT IS PROPRIETARY TO ULTI-MATE INCORPORATED AND SHOULD NOT BE USED WITHOUT WRITTEN PERMISSION.								