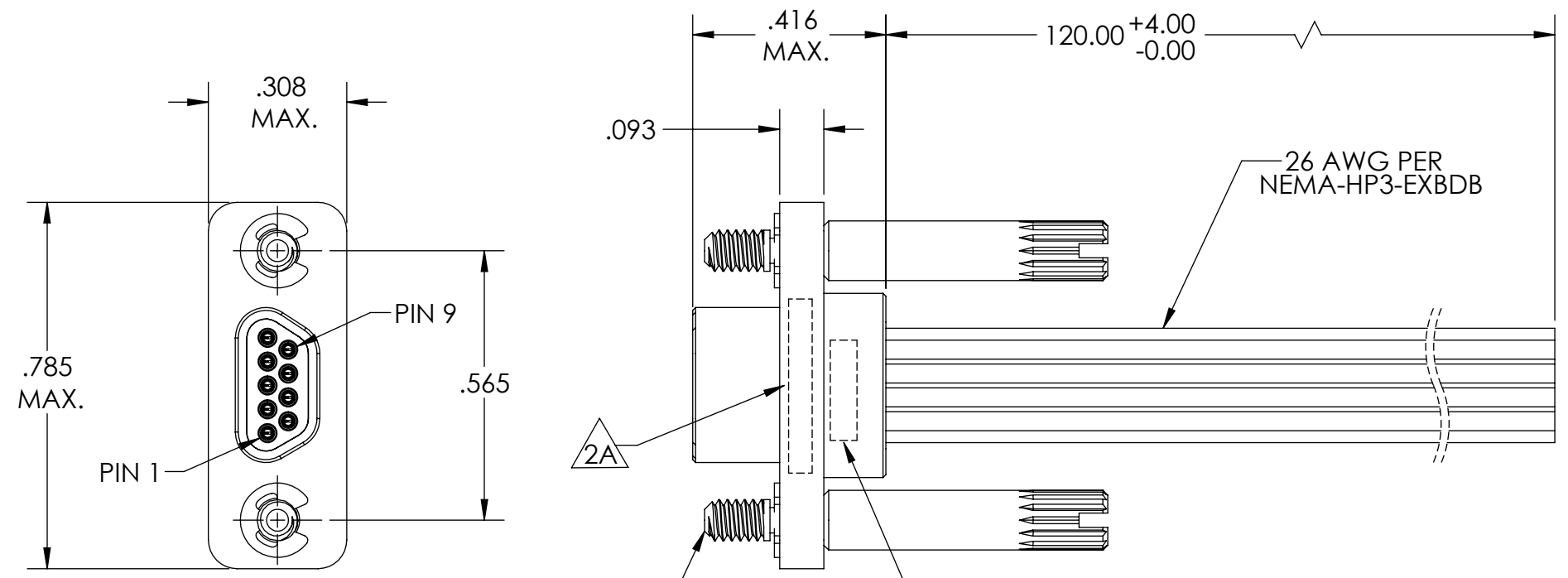


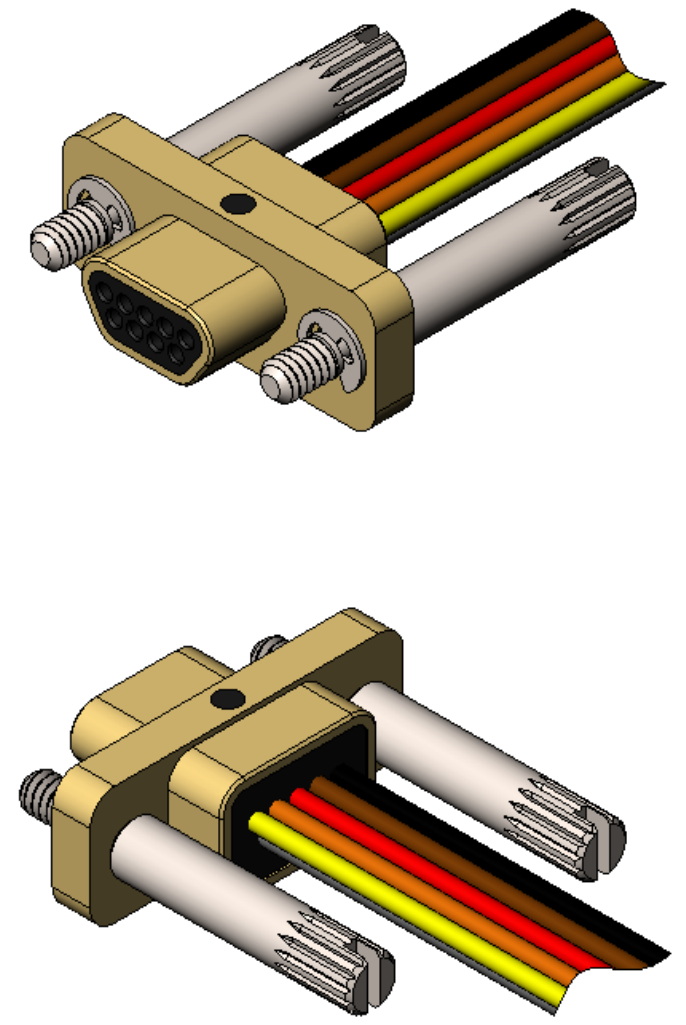
PART REV	DWG ISSUE	DATE	ECN NO.	APPVD BY	REL BY
-	-	4/28/16	UMI5959	DW	DW

F  
E  
D  
C  
B  
A



2-56 JACKSCREW  
HIGH-PROFILE  
SLOTTED  
2X

1	BLK
2	BRN
3	RED
4	ORG
5	YEL
6	GRN
7	BLU
8	VIO
9	GRY



4. PERFORMANCE SPECIFICATIONS:  
CURRENT RATING: 3 AMPS MAX.  
INSULATION RESISTANCE: 5000 MEGOHMS MIN.  
DWV: 600 VAC  
TEMPERATURE RATING: 125° C

3 MATERIALS:  
SHELL: 6061-T6 ALUMINUM PER AMS-QQ-A200/8, CADMIUM PLATED PER AMS-QQ-P-416  
INSULATOR: PPS PER MIL-M-24519 GST-40F, COLOR: BLACK  
PIN CONTACT: C17200 BERYLLIUM COPPER PER ASTM B194, GOLD PLATED PER ASTM B488  
HARDWARE: PASSIVATED STAINLESS STEEL IAW MIL-DTL-83513/5  
WIRE: 26 AWG PER NEMA-HP-EXBDB, COLOR CODE PER MIL-STD-681

2. MARKING:  
2A "UMI", DATE CODE, UMI PART NUMBER  
2B UMI WORK ORDER NUMBER

1. CONNECTOR ASSEMBLY IS IAW MIL-DTL-83513 UNLESS OTHERWISE SPECIFIED.  
**NOTES: UNLESS OTHERWISE SPECIFIED.**

QUALITY SYMBOLS CRITICAL MAJOR NO SYMBOLS = MINOR DIMENSIONS	UNLESS OTHERWISE SPECIFIED: ALL DIMENSIONS ARE IN INCHES	SCALE 3:1	DWG SIZE B	THIRD ANGLE PROJECTION	REVISE ON CAD ONLY	
	GENERAL TOLERANCES:  3 PLACES ±.005 2 PLACES ±.01 ANGULAR ±2°	DRAWN BY & DATE DU 4/28/16	TITLE: <b>MICRO-D CONNECTOR ASSEMBLY, MR09P06-26E5-120.0, CADMIUM PLT SHELL</b>			
		CHECKED BY & DATE DW 4/28/16	MATERIAL: 3	ENG PROJECT #: NONE		
		APPROVED BY & DATE DW 4/28/16	PART NO. 834110346	DRAWING NO. SD-834110346		
	ULTI-MATE CAGE CODE <b>58967</b>	CAD FILE NAME SD-834110346.SLDDRW	THIS DRAWING CONTAINS INFORMATION THAT IS PROPRIETARY TO ULTI-MATE INCORPORATED AND SHOULD NOT BE USED WITHOUT WRITTEN PERMISSION.			