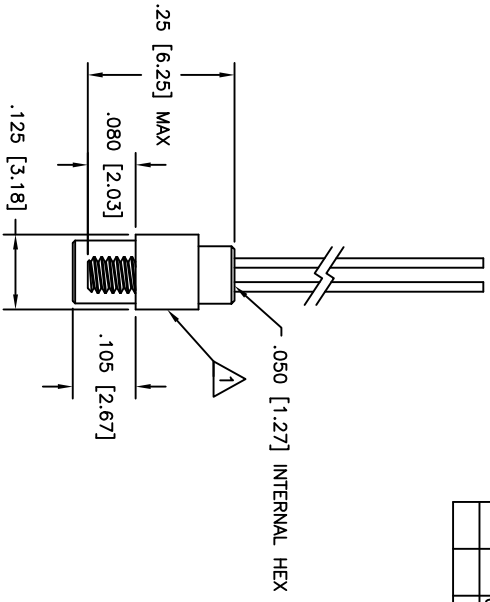
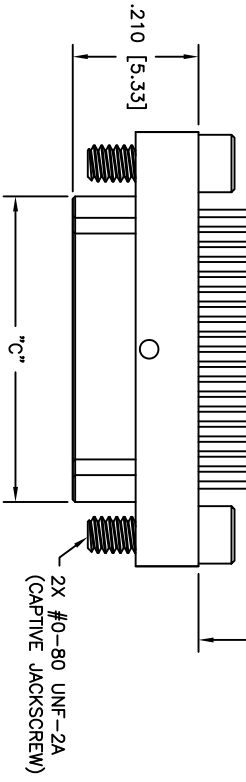
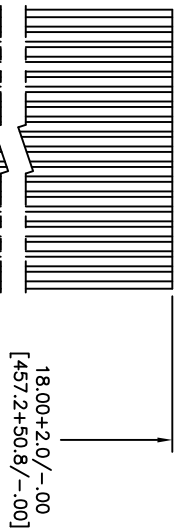
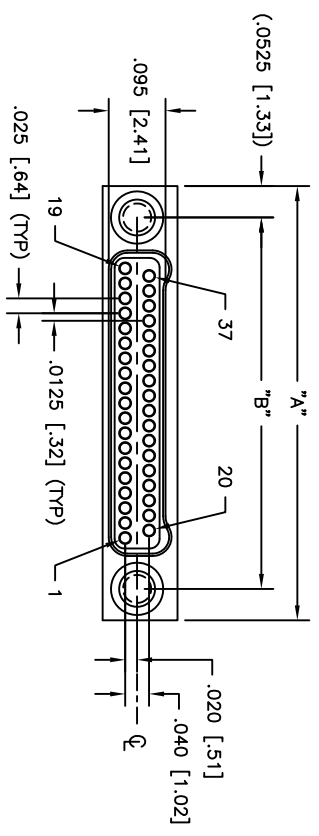


PART DWG REV ISSUE	DATE	ECN NO.	APP'D BY	REL BY
-	02/17/11	UMI4304	TPOWBART	PER



WIRING COLOR CODE

1, 11, 21, 31	BLACK
2, 12, 22, 32	BROWN
3, 13, 23, 33	RED
4, 14, 24, 34	ORANGE
5, 15, 25, 35	YELLOW
6, 16, 26, 36	GREEN
7, 17, 27, 37	BLUE
8, 18, 28	VIOLET
9, 19, 29	GRAY
10, 20, 30	WHITE



PART NO.	SIZE	"A"	"B"	"C"
833318622	9	.375 [9.52]	.270 [6.86]	.160 [4.06]
833328622	15	.450 [11.43]	.345 [8.76]	.235 [5.97]
833338622	21	.525 [13.33]	.420 [10.67]	.310 [7.87]
833348622	25	.575 [14.60]	.470 [11.94]	.360 [9.14]
833358622	31	.650 [16.51]	.545 [13.84]	.435 [11.05]
833368622	37	.725 [18.41]	.620 [15.75]	.510 [12.95]
833378622	51	.900 [22.86]	.795 [20.19]	.685 [17.40]
833388622	65	1.075 [27.30]	.970 [24.64]	.860 [21.84]

3. PERFORMANCE: MEETS OR EXCEEDS M32139 PERFORMANCE SPECIFICATIONS
 CONTACT RATING: 1 AMPERE MAXIMUM
 DMV: 250 VAC
 INSULATION RESISTANCE: 5000 MEGOHMS MINIMUM @ 100 VDC
 CONTACT RESISTANCE: 0.071 VOLT MAXIMUM DROP @ 1.0 AMPS (.071 OHMS)
 W/6.00" OF WIRE LISTED BELOW, PER MIL-DTL-32139

2. MATERIALS: SHELL & INSULATOR: LCP (LIQUID CRYSTAL POLYMER) GLCP-30F
 CONTACT: BERYLLIUM COPPER PER ASTM B194, GOLD PLATED PER ASTM B488
 LEADS: 30 AWG, NEMA HP3, TYPE ET, COLOR CODED PER MIL-DTL-681, SYSTEM 1,
 EXCEPT USING 10 SOLID REPEATING COLORS
 HARDWARE: 303 STAINLESS PER ASTM 582

1. MARKINGS: UMI, DATE CODE, UMI P/N AS SPACE PERMITS, OTHERWISE BAG OR TAG
 NOTES: UNLESS OTHERWISE SPECIFIED

QUALITY SYMBOLS	UNLESS SPECIFIED, ALL DIMENSIONS IN INCHES	SCALE	DWG SIZE	THIRD ANGLE PROJECTION	REVISE ON CAD ONLY
MAJOR =	GENERAL TOLERANCES:	5:1	B		
CRITICAL =	3 PLACE ±.005	DRAWN BY & DATE	03-09-10	TITLE:	NANO-D DUAL ROW, PLASTIC CONNECTOR
C =	2 PLACE ±.010	CHECKED BY & DATE		MATERIAL:	MALE, SIZE XX, NPLXX-2P02-30F6-18.0
SPC =	ANGULAR ±2°	APPROVED BY & DATE			
		SEE ECN			
		CAD FILENAME	SD-833368622.DWG	PART NO.	SD-833368622
		Uti+MATE CAGE CODE	58967	DRAWING NO.	SD-833368622
		THIS DRAWING CONTAINS INFORMATION THAT IS PROPRIETARY TO UTTI-MATE			
		INCORPORATED AND SHOULD NOT BE USED WITHOUT WRITTEN PERMISSION			
				SHEET NO.	1 OF 1
				REV	-