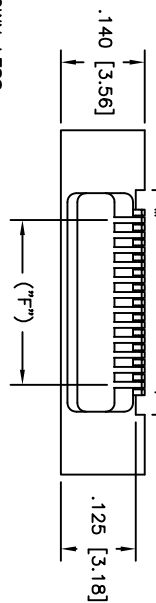


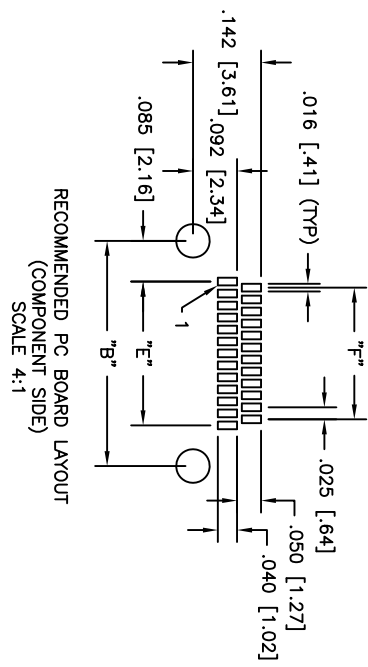
.010 [ .25 ] X .005 [ .13 ] (TYP)



VIEW SHOWN LESS COMPONENTS FOR CLARITY

2X #0-80 UNF-2B

2X HOLE FOR OPTION ALIGNMENT POST



RECOMMENDED PC BOARD LAYOUT (COMPONENT SIDE) SCALE 4:1

DWG 8-30-2022

PART NO.	SIZE	"A"	"B"	"C"	"D"	"E"	"F"
832410217	9	.375 [9.52]	.270 [6.86]	.163 [4.06]	.175 [4.44]	.100 [2.54]	.075 [1.90]
832420217	15	.450 [11.43]	.345 [8.76]	.238 [5.97]	.250 [6.35]	.175 [4.44]	.150 [3.81]
832430217	21	.525 [13.33]	.420 [10.67]	.313 [7.87]	.325 [8.25]	.250 [6.35]	.225 [5.71]
832440217	25	.575 [14.60]	.470 [11.94]	.363 [9.14]	.375 [9.52]	.300 [7.62]	.275 [6.98]
832450217	31	.650 [16.51]	.545 [13.84]	.438 [11.05]	.450 [11.43]	.375 [9.52]	.350 [8.89]
832460217	37	.725 [18.41]	.620 [15.75]	.513 [12.95]	.525 [13.33]	.450 [11.43]	.425 [10.79]
832470217	51	.900 [22.86]	.795 [20.19]	.688 [17.40]	.700 [17.78]	.625 [15.87]	.600 [15.24]
832480217	65	1.075 [27.30]	.970 [24.64]	.863 [21.84]	.875 [22.22]	.800 [20.32]	.775 [19.68]

- 1. MARKINGS: UMI, UMI P/N, DATE CODE & W/O NO. AS SPACE PERMITS OTHERWISE ON BAG OR TAG
- 2. MATERIALS: SHELL: ALUMINUM 6061-T6, CADMIUM PLATED PER AMS-QQ-P-416  
INSULATOR: LCP (LIQUID CRYSTAL POLYMER) GLCP-30F  
CONTACT: BERYLLIUM COPPER PER ASTM B194, GOLD PLATED PER ASTM B488  
LEADS: SN/PB PLATED
- 3. PERFORMANCE: MEETS OR EXCEEDS M32139 PERFORMANCE SPECIFICATIONS  
CONTACT RATING: 1 AMPERE MAXIMUM AT AMBIENT TEMPERATURE  
DWV: 250 VAC  
INSULATION RESISTANCE: 5000 MEGOHMS MINIMUM @ 100 VDC  
CONTACT RESISTANCE: 0.021 VOLT MAXIMUM DROP @ 1.0 AMPS (.021 OHMS)
- 4. LEAD TOLERANCE: LOWEST LEAD TO BE CO-PLANAR WITHIN  $\pm .0017$  FROM SURFACE  
"X" THEN ALL LEADS TO BE WITHIN  $\pm .005$  FROM LOWEST LEAD

QUALITY SYMBOLS	UNLESS SPECIFIED, ALL DIMENSIONS IN INCHES	SCALE	DWG SIZE	THIRD ANGLE PROJECTION	REVISE ON CAD ONLY
MAJOR =	GENERAL TOLERANCES:	5:1	B		
MINOR =	3 PLACE $\pm .005$	DRAWN BY & DATE		TITLE	NANO-D DUAL ROW CONNECTOR
CRITICAL =	2 PLACE $\pm .010$	UMI 03-09-10			FEMALE, SIZE XX, CNM28LXX-2S071
ANGULAR $\pm 2^\circ$		CHECKED BY & DATE		MATERIAL	
		SEE ECN			
		APPROVED BY & DATE			
		SEE ECN			
SPC	UTII-Mate CASE CODE	CAD FILENAME	PART NO.	DRAWING NO.	
S	58967	SD-832440217.DWG	SEE "TAB BLOCK"	SD-832440217	
		THIS DRAWING CONTAINS INFORMATION THAT IS PROPRIETARY TO ULTI-MATE INCORPORATED AND SHOULD NOT BE USED WITHOUT WRITTEN PERMISSION			

REV 1