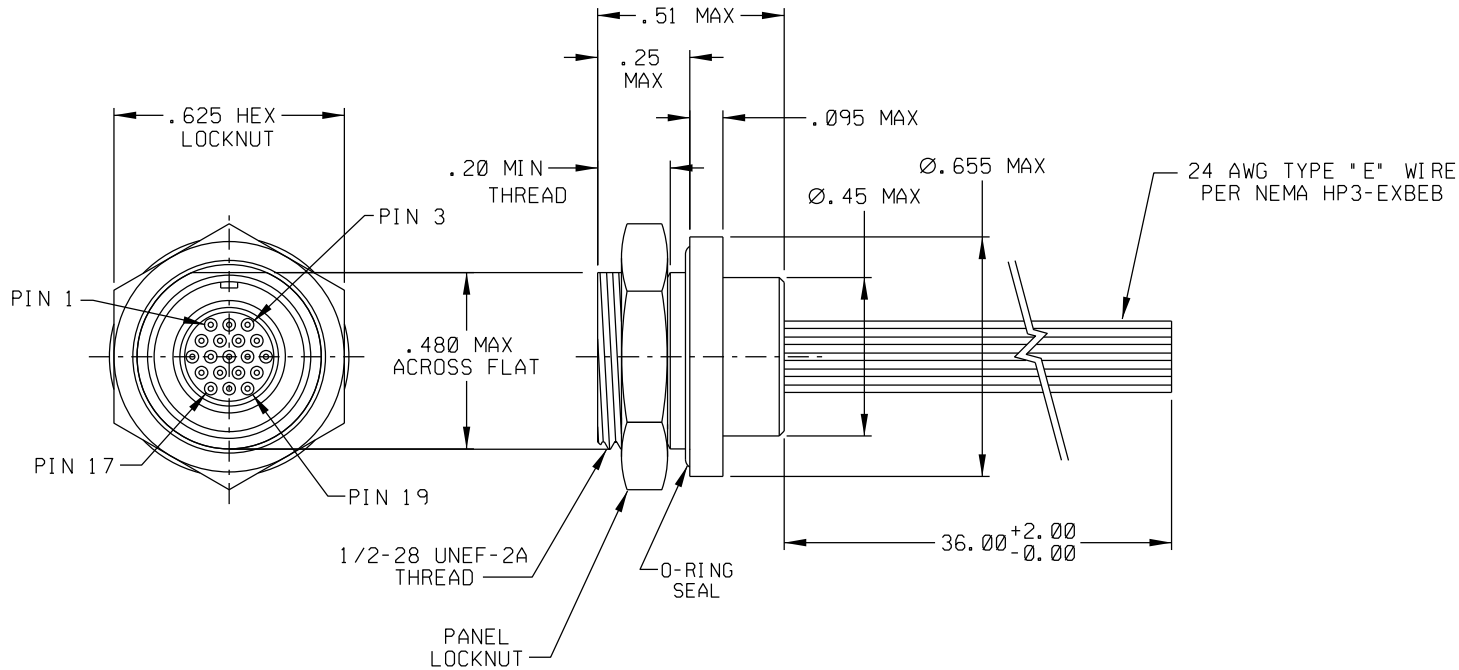


PART REV	DWG ISSUE	DATE	ECN NO.	APPVD BY	REL BY
-	-	1-18-17	UMI 6207	DW	DW



1	BLK
2	BRN
3	RED
4	ORG
5	YEL
6	GRN
7	BLU
8	VIO
9	GRY
10	WHT
11	W/BLK
12	W/BRN
13	W/RED
14	W/ORG
15	W/YEL
16	W/GRN
17	W/BLU
18	W/VIO
19	W/GRY

MATERIALS:
 SHELL AND LOCKNUT: CDA 360 BRASS PER ASTM B16, 1/2 HARD, NICKEL PLATED
 PIN CONTACTS: C17200 BERYLLIUM COPPER PER ASTM B194, GOLD PLATED PER ASTM B488, OVER COPPER FLASH PER AMS 2418
 INSULATOR: PPS PER MIL-M-24519 GST-40F, COLOR: BLACK
 O-RING: 70 DUROMETER SILICONE
 1. MARKINGS: BAG AND TAG WITH "UMI", DATE CODE, UMI PART NUMBER, AND WORK ORDER NUMBER.

NOTES: UNLESS OTHERWISE SPECIFIED

QUALITY SYMBOLS CRITICAL SPECIAL KEY K	UNLESS SPECIFIED: ALL DIMENSIONS IN INCHES GENERAL TOLERANCES: 3 PLACE ±.005 2 PLACE ±.01 ANGULAR ±2°	SCALE 3:1 DWG SIZE B	THIRD ANGLE PROJECTION	REVISE ON CAD ONLY	
	ALL EXTERNAL SPECIFICATIONS REFERENCED ON THIS DRAWING SHALL BE TO THE LATEST REVISION IN EFFECT Ulti-Mate CAGE CODE 58967	DRAWN BY & DATE DW 1-18-17 CHECKED BY & DATE SEE ECN APPROVED BY & DATE SEE ECN	TITLE: MALE RD RECEPTACLE, REAR MOUNT 19 POS., SIZE 2, W/O-RING PANEL SEAL, ROR2B2-19P-24E5-36.0	MATERIAL: 	Ulti-Mate Connector Inc.
	CAD FILENAME SD-831 221150.DGN	PART NO. 831 221150	DRAWING NO. SD-831 221150	SHEET NO. 1 OF 1	PART REV -
	THIS DRAWING CONTAINS INFORMATION THAT IS PROPRIETARY TO ULTI-MATE INCORPORATED AND SHOULD NOT BE USED WITHOUT WRITTEN PERMISSION.				