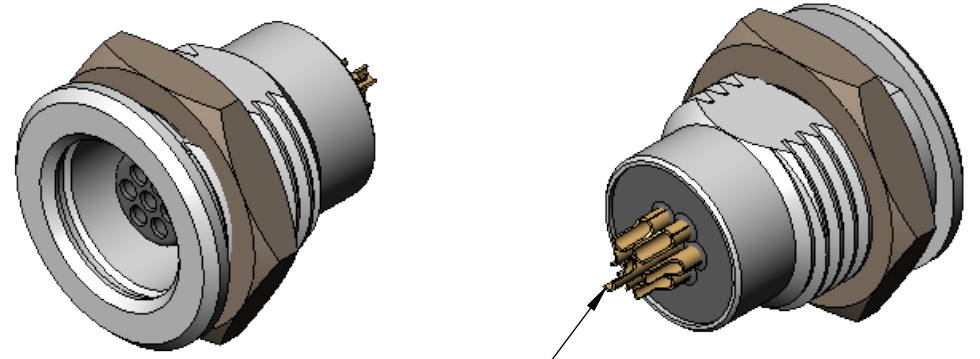


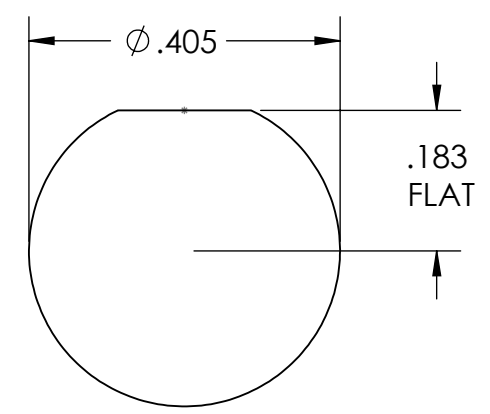
PART REV	DWG ISSUE	DATE	ECN NO.	APPVD BY	REL BY
-	-	08/02/17	UMI6460	DW	DW
-	A	01/17/18	UMI6620	DW	DW

F



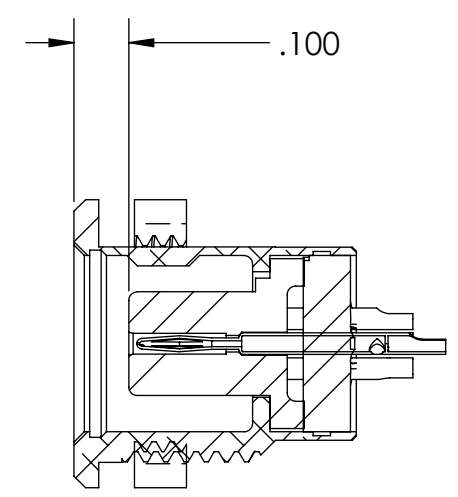
SOLDER CUPS ARE ORIENTED AS SHOWN

E



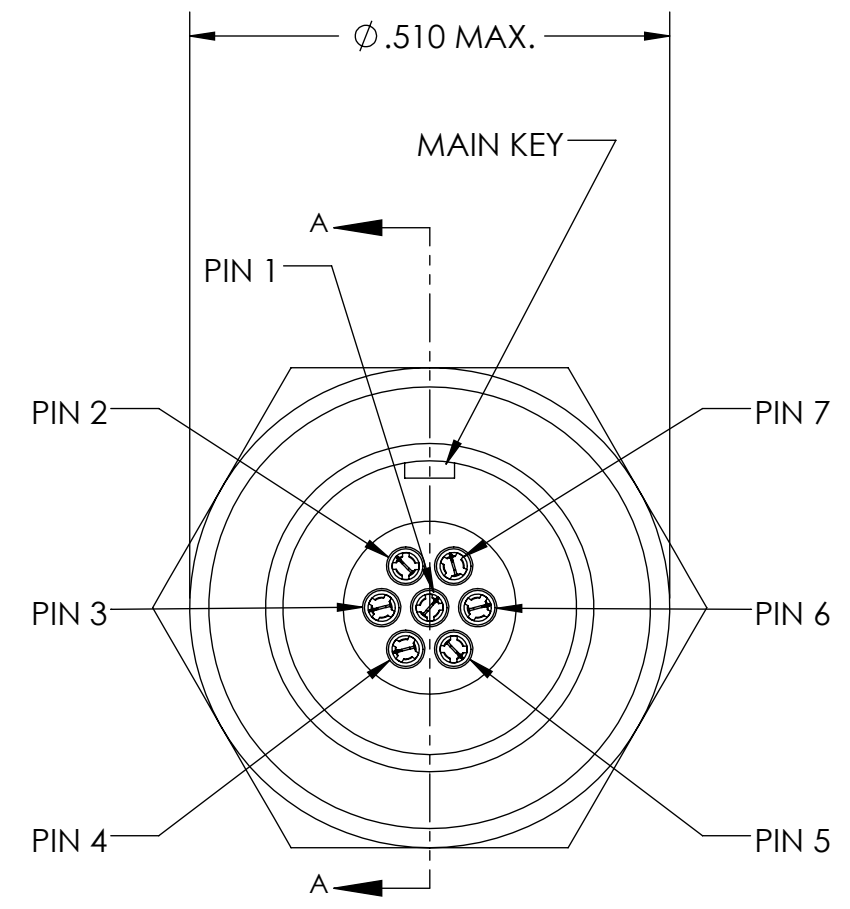
RECOMMENDED PANEL CUT-OUT

D

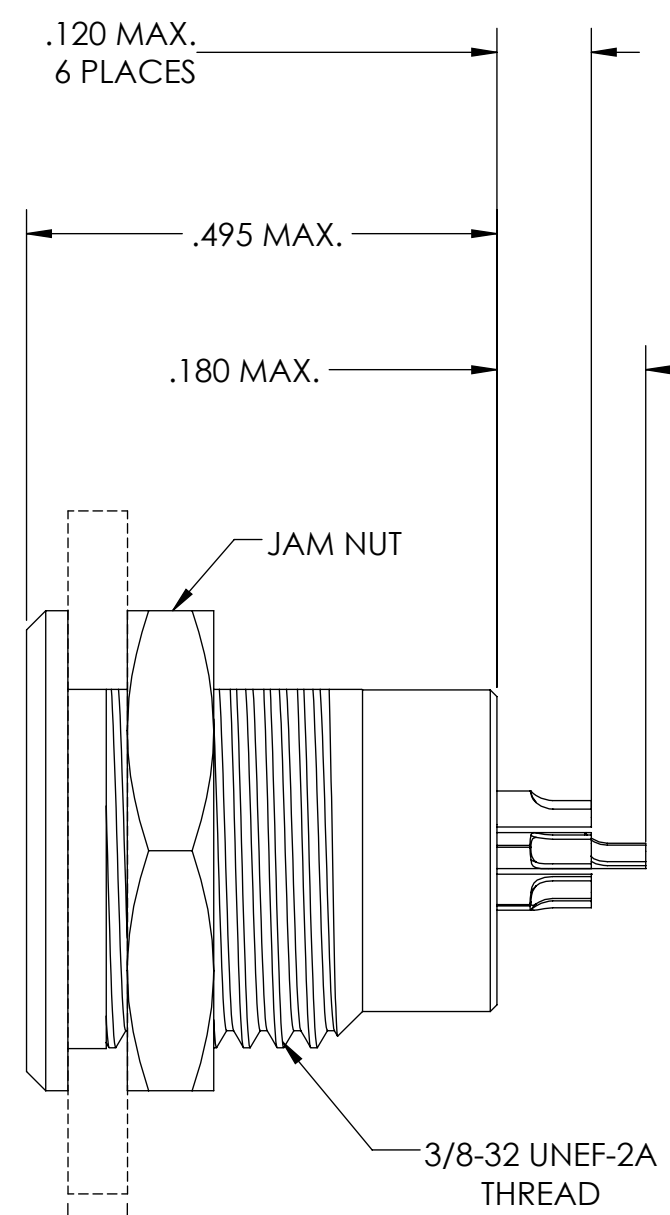


SECTION A-A  
SCALE 3 : 1

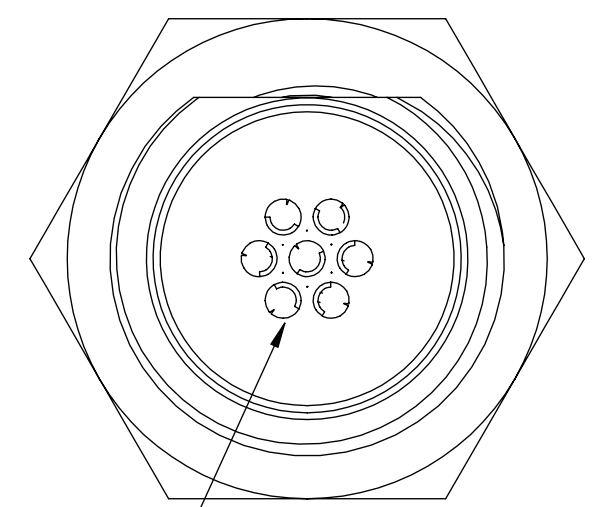
C



B



.062  
(THICK PANEL)



SOLDER CUPS ARE ORIENTED AS SHOWN

3. PERFORMANCE SPECIFICATIONS:  
CURRENT RATING: 3 AMPS MAX.  
DWV: 600 VAC  
TEMPERATURE RATING: 125° C

2. MATERIALS:  
SHELL/JAM NUT: CDA 360 BRASS, NICKEL PLATED  
INSULATOR: PPS PER MIL-M-24519 GST-40F, COLOR: BLACK  
PIN CONTACTS: C17200 BERYLLIUM COPPER PER ASTM B194, GOLD PLATED PER ASTM B488

1. MARKING: NONE  
NOTES: UNLESS OTHERWISE SPECIFIED.

QUALITY SYMBOLS CRITICAL  MAJOR  NO SYMBOLS = MINOR DIMENSIONS	UNLESS OTHERWISE SPECIFIED: ALL DIMENSIONS ARE IN INCHES	SCALE NONE	DWG SIZE B	THIRD ANGLE PROJECTION	REVISE ON CAD ONLY		
	GENERAL TOLERANCES:  3 PLACES ±.005 2 PLACES ±.01 ANGULAR ±2°	DRAWN BY & DATE DU 8/2/17	TITLE: CIRCULAR CONNECTOR, "RQ" SERIES, RQR1B1-7N, RECEPTACLE, SIZE 7 PIN, SOLDER CUPS		MATERIAL: 3	ENG PROJECT #: NONE	
	ULTI-MATE CAGE CODE 58967	CHECKED BY & DATE DW 8/2/17	PART NO. 831111000		DRAWING NO. SD-831111000	SHEET NO. 1 of 1	
		APPROVED BY & DATE DW 8/2/17	THIS DRAWING CONTAINS INFORMATION THAT IS PROPRIETARY TO ULTI-MATE INCORPORATED AND SHOULD NOT BE USED WITHOUT WRITTEN PERMISSION.				
		CAD FILE NAME SD-831111000.SLDDRW					