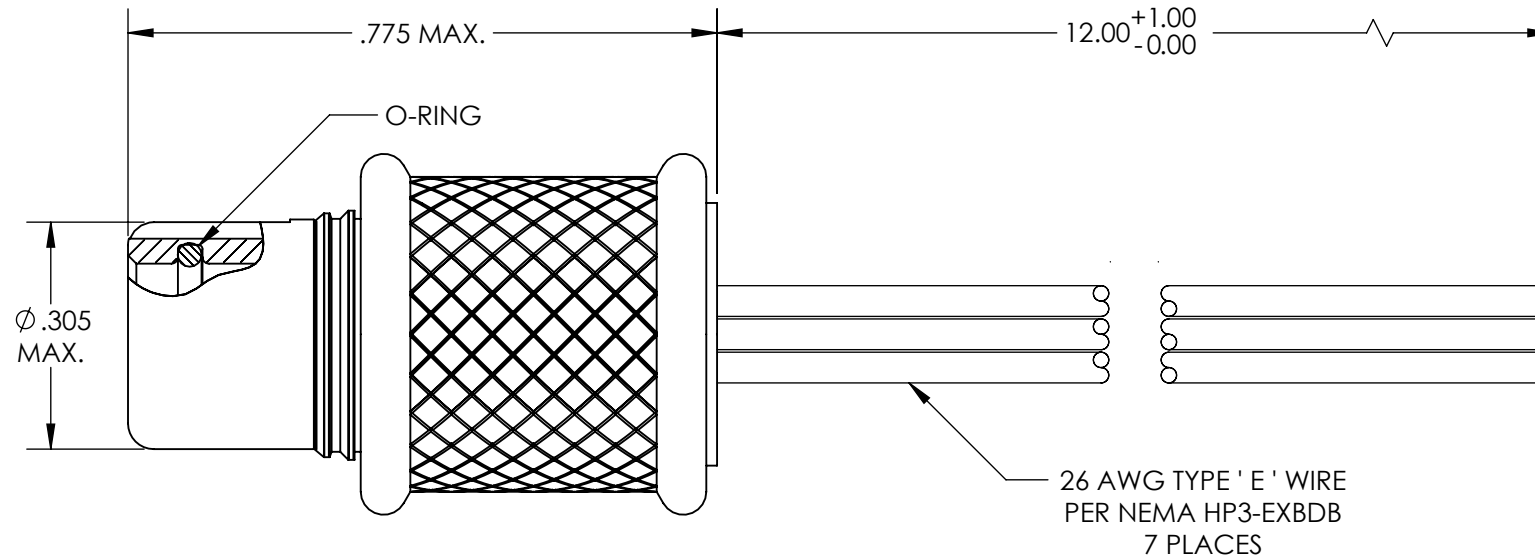
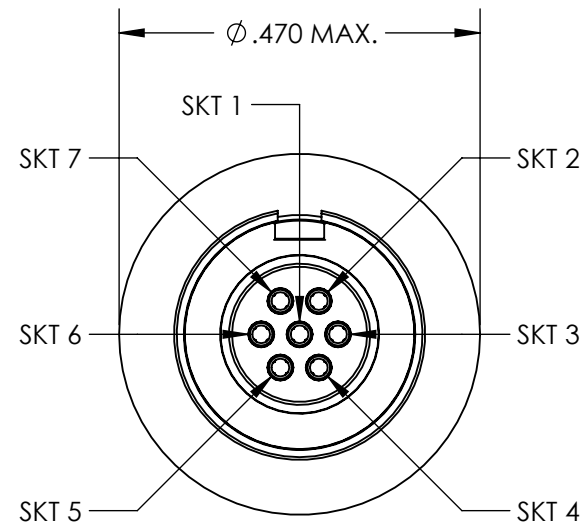


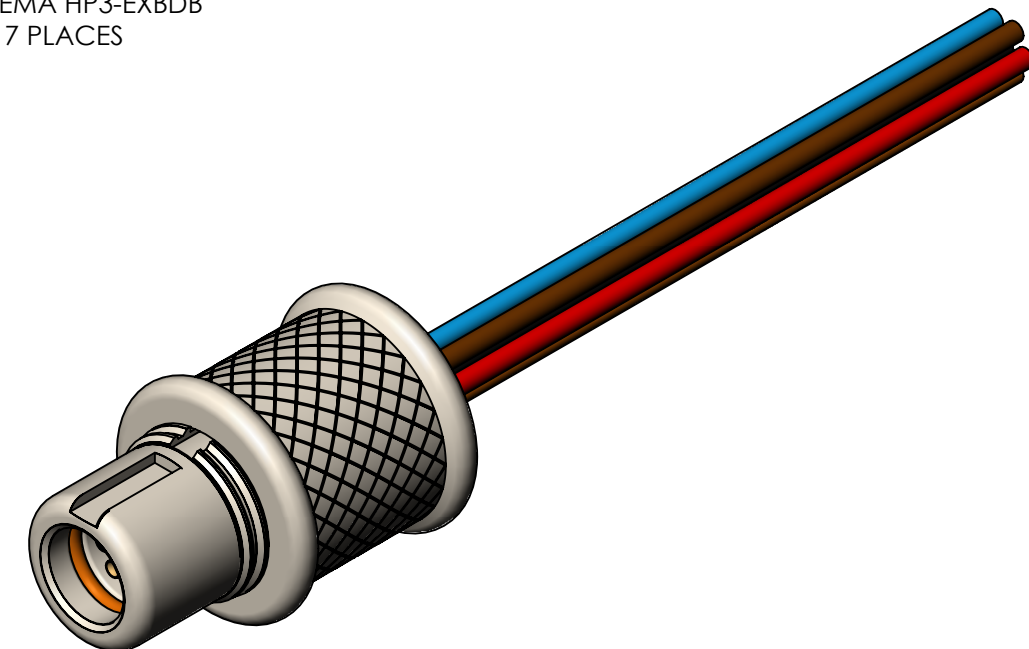
REVISIONS

PART REV.	DWG. ISSUE	DATE	ECN NO.	APPVD. BY	REL. BY
-	-	10/05/2017	UMI6521	DW	DW



COLOR CODE

1	BLK
2	BRN
3	RED
4	ORG
5	YEL
6	GRN
7	BLU



3. PERFORMANCE SPECIFICATIONS:  
 CURRENT RATING: SIGNAL CONTACTS: 3A MAX  
 INSULATION RESISTANCE: 5000MΩ MIN.  
 DWV: 600 VAC  
 TEMPERATURE RATING: 125° C

2 MATERIALS:  
 SHELL: C36000 BRASS PER ASTM B16; NICKEL PLATED PER AMS 2404  
 LOCK RING: C173000 BERYLLIUM COPPER; NICKEL PLATED PER AMS 2404  
 INSULATOR: PPS PER MIL-M-4519, GST-40F, COLOR: BLACK  
 SOCKET CONTACTS: C21000 BRASS ALLOY PER ASTM B36, GOLD PLATED PER ASTM B488  
 O-RING: SILICONE, 70 DUROMETER

1. MARKINGS: NONE  
 NOTES: UNLESS OTHERWISE SPECIFIED

QUALITY SYMBOLS CRITICAL MAJOR NO SYMBOL = MINOR DIMENSION	<b>UNLESS SPECIFIED:</b> ALL DIMENSIONS IN INCHES GENERAL TOLERANCES: 3 PLACE ±.005 2 PLACE ±.01 ANGULAR ±2° ALL EXTERNAL SPECIFICATIONS REFERENCED ON THIS DRAWING SHALL BE THE LATEST REVISION IN EFFECT Ulti-Mate CAGE CODE <b>58967</b>	SCALE <b>4:1</b> DWG SIZE <b>B</b>	THIRD ANGLE PROJECTION 	<b>REVISE ON CAD ONLY</b>		
	DRAWN BY & DATE <b>JB 10/05/2017</b> CHECKED BY & DATE <b>DW 10/05/2017</b> APPROVED BY & DATE <b>DW 10/05/2017</b>	TITLE <b>MICRO CIRCULAR RQ CONNECTOR RECEPTACLE (SOCKETS), 7 POSITION RQP0B1-7S-26E5-12.0-S01</b>		MATERIAL 	ENG PROJECT #	
	CAD FILENAME <b>SD-831011110.slddrw</b>	PART NO. <b>831011110</b>	DRAWING NO. <b>SD-831011110</b>	SHEET NO. <b>1 OF 1</b>		
	THIS DRAWING CONTAINS INFORMATION THAT IS PROPRIETARY TO ULTI-MATE INCORPORATED AND SHOULD NOT BE USED WITHOUT WRITTEN PERMISSION.					