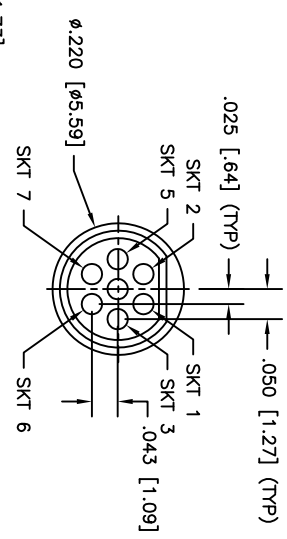
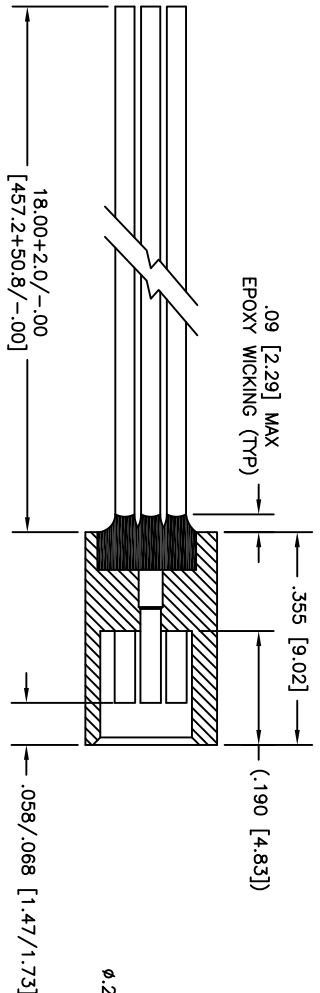


WIRING COLOR CODE

1	BLACK
2	BROWN
3	RED
4	ORANGE
5	YELLOW
6	GREEN
7	BLUE



3. PERFORMANCE: MEETS OR EXCEEDS M83513 PERFORMANCE SPECIFICATIONS
 CONTACT RATING: 3 AMPERE MAXIMUM
 INSULATION RESISTANCE: 5000 MEGOHMS MINIMUM @ 500 VDC
 CONTACT RESISTANCE: 8 MILLIOHMS MAX @ 2.5 AMPS
2. MATERIALS: INSULATOR: LCP (LIQUID CRYSTAL POLYMER) GLCP-30F BLACK
 CONTACTS: BRASS ALLOY 210, GOLD PLATED PER ASTM B488
 LEADS: 26 AWG, MIL-W-16878/4, COLOR CODED
1. MARKINGS: UMI, UMI P/N, DATE CODE & W/O NO. ON BAG OR TAG
- NOTES: UNLESS OTHERWISE SPECIFIED

QUALITY SYMBOLS MAJOR = CRITICAL = SPC = S =	UNLESS SPECIFIED, ALL DIMENSIONS IN INCHES GENERAL TOLERANCES: 3 PLACE ±.005 2 PLACE ±.010 ANGULAR ±2°	SCALE 10:1 DRAWN BY & DATE PER 07-07-15 CHECKED BY & DATE SEE ECN APPROVED BY & DATE SEE ECN	THIRD ANGLE PROJECTION TITLE: MICRO CIRCULAR CONNECTOR, FEMALE (RECEPTACLE), SIZE 7, RPOP-07S-26ES-18.0 MATERIAL:	REVISE ON CAD ONLY
	Uti+MATE CAGE CODE 58967	CAD FILENAME SD-812051120.DWG	PART NO. 812051120	DRAWING NO. SD-812051120

PART DWG REV ISSUE	DATE	ECN NO.	APP'D BY	REL BY
-	08/16/18	UMI6842	T-POMBERT	PER