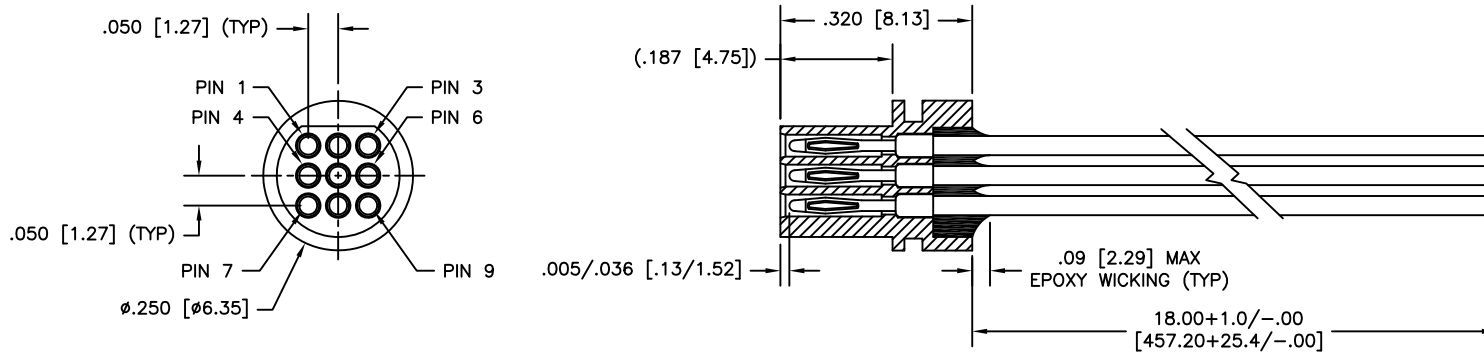


10 | 9 | 8 | 7 | 6 | 5 | 4 | 3 | 2

PART REV	DWG ISSUE	DATE	ECN NO.	APPVD BY	REL BY
-	-	05/13/19	UMI7146	T.POMBART	PER

WIRING COLOR CODE

- 1 — BLACK
- 2 — BROWN
- 3 — RED
- 4 — ORANGE
- 5 — YELLOW
- 6 — GREEN
- 7 — BLUE
- 8 — VIOLET
- 9 — GRAY



- 3. PERFORMANCE: MEETS OR EXCEEDS M83513 PERFORMANCE SPECIFICATIONS  
 CONTACT RATING: 3 AMPERE MAXIMUM  
 INSULATION RESISTANCE: 5000 MEGOHMS MINIMUM @ 500 VDC  
 CONTACT RESISTANCE: 8 MILLIOHMS MAX @ 2.5 AMPS
- 2. MATERIALS: INSULATOR: PPS PER MIL-M-24519 GST-40F, OR LCP (LIQUID CRYSTAL POLYMER)  
 GLCP-30F COLOR: BLACK  
 CONTACTS: BERYLLIUM COPPER PER ASTM B194, GOLD PLATED PER ASTM B488  
 LEADS: 26 AWG, MIL-W-16878/4, COLOR CODED
- 1. MARKINGS: UMI, UMI P/N, DATE CODE & W/O NO. ON BAG OR TAG

NOTES: UNLESS OTHERWISE SPECIFIED

<b>QUALITY SYMBOLS</b> MAJOR = CRITICAL = SPC =	UNLESS SPECIFIED: ALL DIMENSIONS IN INCHES	SCALE 5:1	DWG SIZE B	THIRD ANGLE PROJECTION	REVISE ON CAD ONLY	
	GENERAL TOLERANCES: 3 PLACE ±.005 2 PLACE ±.010 ANGULAR ±2°	DRAWN BY & DATE PER 05-13-19	TITLE: MICRO CIRCULAR CONNECTOR, MALE (PLUG), SIZE 9, RPOP-09P-26E6-18.0		MATERIAL: 	Ulti-Mate Connector Inc.
	Ulti-Mate CAGE CODE 58967	CHECKED BY & DATE SEE ECN	APPROVED BY & DATE SEE ECN	CAD FILENAME SD-811071120.DWG	PART NO. 811071120	DRAWING NO. SD-811071120
		THIS DRAWING CONTAINS INFORMATION THAT IS PROPRIETARY TO ULTI-MATE INCORPORATED AND SHOULD NOT BE USED WITHOUT WRITTEN PERMISSION.		SHEET NO. 1 OF 1	PART REV -	