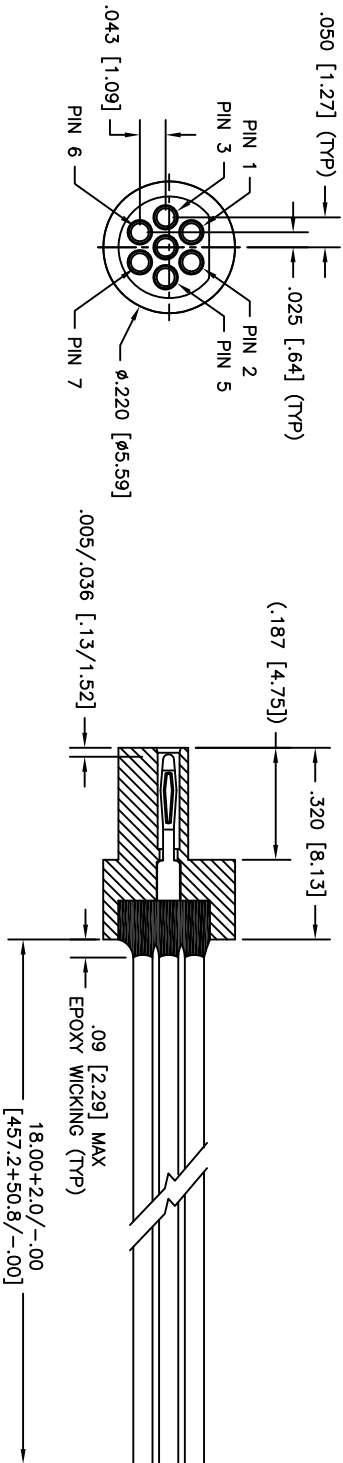


WIRING COLOR CODE

1	BLACK
2	BROWN
3	RED
4	ORANGE
5	YELLOW
6	GREEN
7	BLUE



- PERFORMANCE: MEETS OR EXCEEDS M83513 PERFORMANCE SPECIFICATIONS
 CONTACT RATING: 3 AMPERE MAXIMUM
 INSULATION RESISTANCE: 5000 MEGOHMS MINIMUM @ 500 VDC
 CONTACT RESISTANCE: 8 MILLIOHMS MAX @ 2.5 AMPS
 - MATERIALS: INSULATOR: LCP (LIQUID CRYSTAL POLYMER) GLCP-30F, BLACK
 CONTACTS: BERYLLIUM COPPER PER ASTM B194, GOLD PLATED PER ASTM B488
 LEADS: 26 AWG, MIL-W-16878/4, COLOR CODED
 - MARKINGS: UMI, UMI P/N, DATE CODE & W/O NO. ON BAG OR TAG
- NOTES: UNLESS OTHERWISE SPECIFIED

PART DWG	DATE	ECN NO.	APP'D BY	REL BY
REV	ISSUE		T-POMBART	PER
-	08/16/18	UMI6842		

QUALITY SYMBOLS	UNLESS SPECIFIED, ALL DIMENSIONS IN INCHES	SCALE	DWG SIZE	THIRD ANGLE PROJECTION	REVISE ON CAD ONLY
MAJOR =	GENERAL TOLERANCES:	5:1	B		
CRITICAL =	3 PLACE ±.005	DRAWN BY & DATE	PER 07-07-15		
C =	2 PLACE ±.010	CHECKED BY & DATE	SEE ECN		
S =	ANGULAR ±2°	APPROVED BY & DATE	SEE ECN		
SPC		CAD FILENAME	PART NO.	DRAWING NO.	SHEET NO.
Uti-Mate		SD-811051120.DWG	811051120	SD-811051120	1 OF 1
58967		THIS DRAWING CONTAINS INFORMATION THAT IS PROPRIETARY TO UTI-MATE INCORPORATED AND SHOULD NOT BE USED WITHOUT WRITTEN PERMISSION.			PART REV
					-