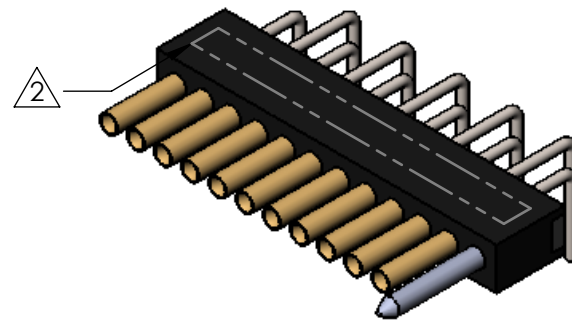
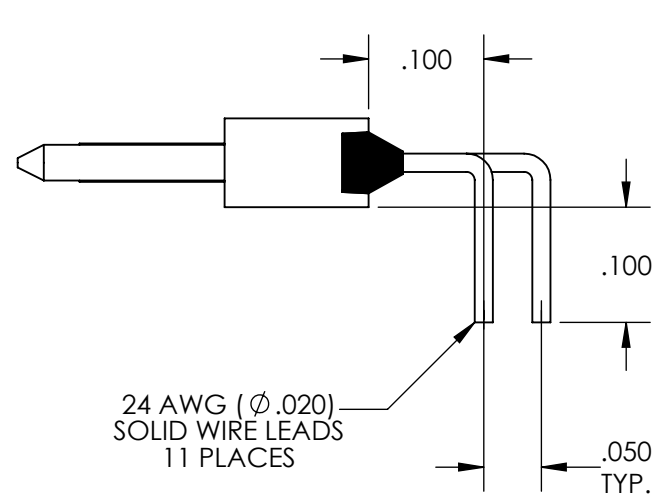
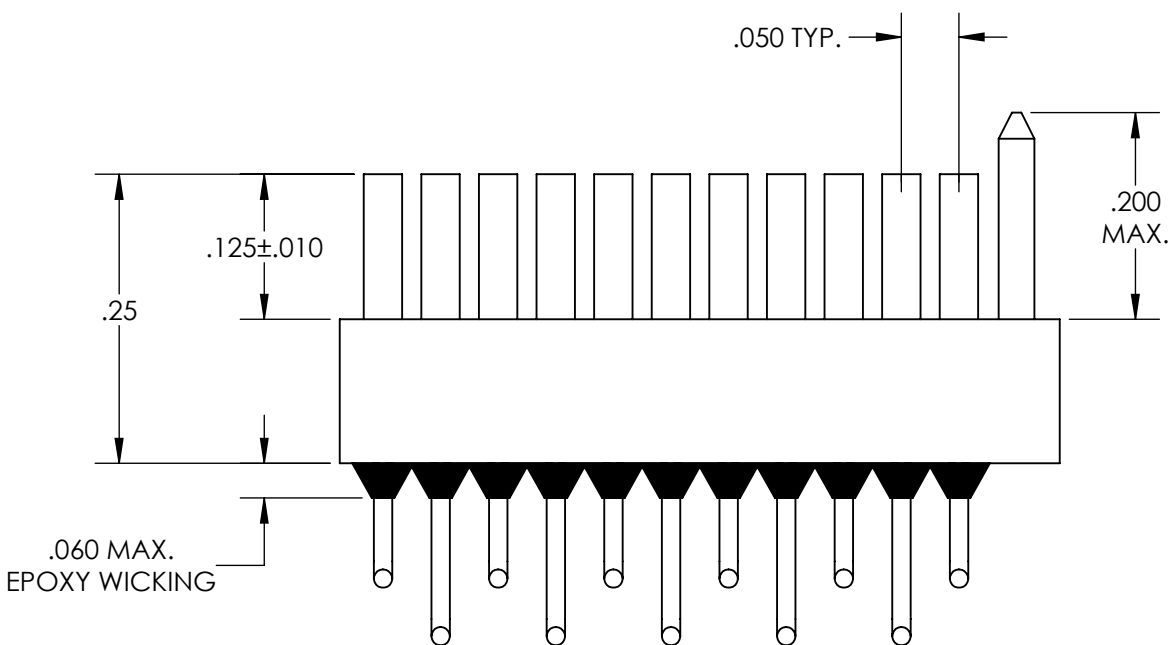
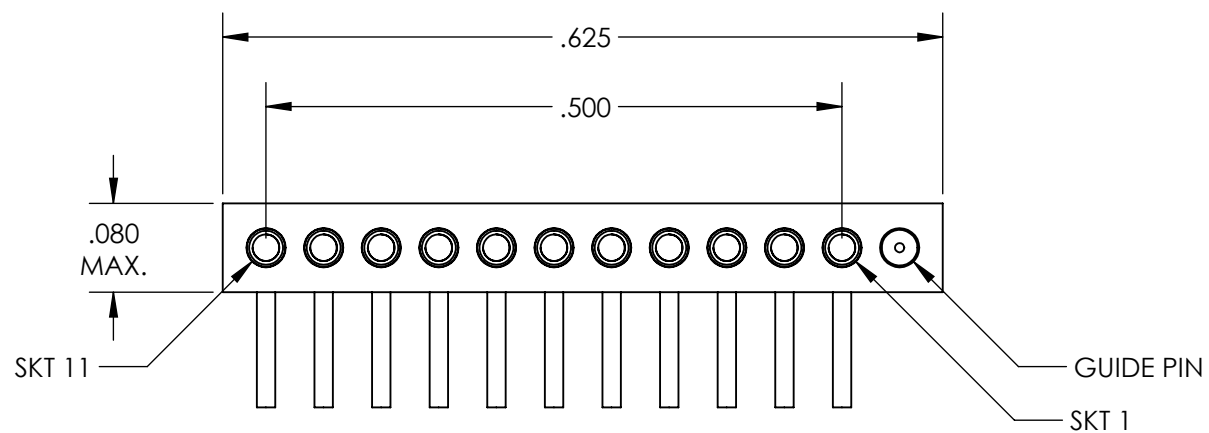


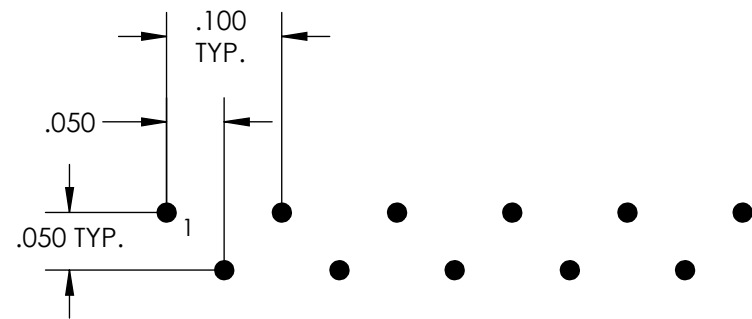
REVISIONS

PART REV.	DWG. ISSUE	DATE	ECN NO.	APPVD. BY	REL. BY
-	-	10/25/2013	UMI5143	DW	DW

F
E
D
C
B
A



RECOMMENDED PCB LAYOUT



4. PERFORMANCE SPECIFICATIONS:

CURRENT RATING: 3A MAX.
INSULATION RESISTANCE: 5000 MΩ MIN.
DWV: 600 VAC
TEMPERATURE RATING: 200°C

3 MATERIALS:

BODY: PPS PER MIL-M-24519 GST-40F, COLOR: BLK
SOCKET CONTACTS: C21000 BRASS ALLOY PER ASTM B36, GOLD PLATED PER ASTM B488
24 AWG LEADS: TIN PLATED COPPER ALLOY PER A-A-59551 TYPE S
GUIDE PIN: PASSIVATED 300 SERIES STAINLESS STEEL

2 MARKINGS: UMI, UMI PART NO., AND DATE CODE

1. CONNECTOR ASSEMBLY IS IAW MIL-DTL-83513 UNLESS OTHERWISE SPECIFIED

NOTES: UNLESS OTHERWISE SPECIFIED

<p>QUALITY SYMBOLS</p> <p>CRITICAL</p> <p>MAJOR</p> <p>NO SYMBOL = MINOR DIMENSION</p>	<p>UNLESS SPECIFIED:</p> <p>ALL DIMENSIONS IN INCHES</p>	<p>SCALE</p> <p>6:1</p>	<p>DWG SIZE</p> <p>B</p>	<p>THIRD ANGLE PROJECTION</p>	<p>REVISE ON CAD ONLY</p>	
	<p>GENERAL TOLERANCES:</p> <p>3 PLACE ±.005</p> <p>2 PLACE ±.01</p> <p>ANGULAR ±2°</p>	<p>DRAWN BY & DATE</p> <p>JB 10/25/2013</p>	<p>TITLE</p> <p>MICRO-D STRIP CONNECTOR, RECEPTACLE, SIZE 11 W/GUIDE PIN, HI-TEMP SR11S1-L01-HT</p>		<p>MATERIAL</p> <p>3</p>	
	<p>ALL EXTERNAL SPECIFICATIONS REFERENCED ON THIS DRAWING SHALL BE THE LATEST REVISION IN EFFECT</p>	<p>CHECKED BY & DATE</p> <p>DW 10-29-13</p>	<p>APPROVED BY & DATE</p> <p>DW 10-29-13</p>		<p>ENG PROJECT #</p>	<p>Ulti-Mate Connector Inc.</p>
	<p>Ulti-Mate CAGE CODE</p> <p>58967</p>	<p>CAD FILENAME</p> <p>SD-437112901.slddrw</p>	<p>PART NO.</p> <p>437112901</p>	<p>DRAWING NO.</p> <p>SD-437112901</p>	<p>SHEET NO.</p> <p>1 OF 1</p>	<p>PART REV.</p> <p>-</p>

THIS DRAWING CONTAINS INFORMATION THAT IS PROPRIETARY TO ULTI-MATE INCORPORATED AND SHOULD NOT BE USED WITHOUT WRITTEN PERMISSION.