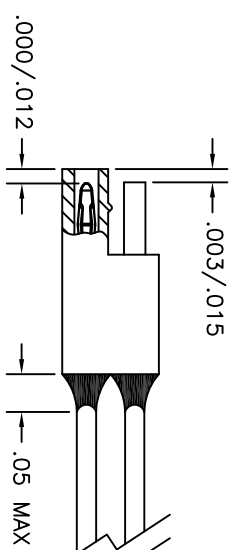
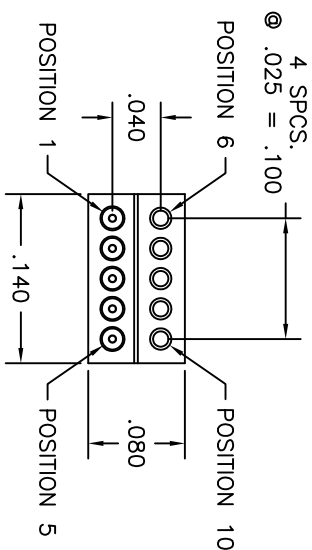
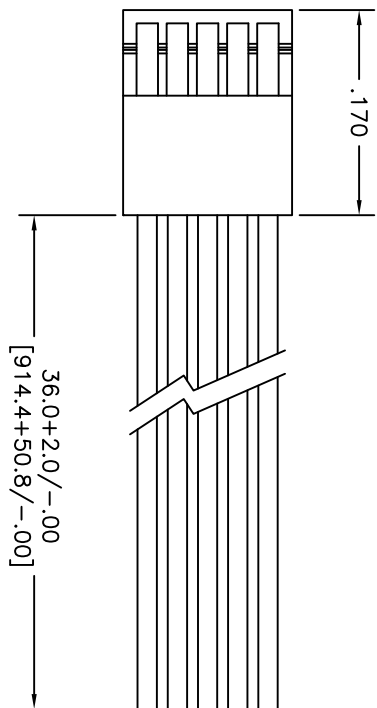


WIRING COLOR CODE

- 1 — BLACK
- 2 — BROWN
- 3 — RED
- 4 — ORANGE
- 5 — YELLOW
- 6 — GREEN
- 7 — BLUE
- 8 — VIOLET
- 9 — GRAY
- 10 — WHITE



3. PERFORMANCE: MANUFACTURED TO MEET THE FOLLOWING M32139 PERFORMANCE SPECIFICATIONS

- CONTACT RATING: 1 AMPERE MAXIMUM
- INSULATION RESISTANCE: 5000 MEGOHMS MINIMUM @ 100 VDC
- INSULATION RESISTANCE: 0.071 VOLT MAXIMUM DROP @ 1.0 AMPS (.071 OHMS)
- W/6.00" OF WIRE LISTED BELOW, PER MIL-DTL-32139

2. MATERIALS:
- INSULATOR: PPS (POLYPHENYLENE SULFIDE) GST-40F
 - PIN CONTACTS: BERYLLIUM COPPER PER ASTM B194, GOLD PLATED PER ASTM B488
 - SOCKET CONTACTS: BRASS ALLOY 210, GOLD PLATED PER ASTM B488
 - LEADS: 30 AWG, NEMA HP3, TYPE ET, COLOR CODED PER MIL-DTL-6811, SYSTEM 1
 - EPOXY: 200° CELSIUS

1. MARKINGS: UMI, DATE CODE, UMI P/N ON BAG ON TAG, AS SPACE PERMITS
- NOTES: UNLESS OTHERWISE SPECIFIED

PART DWG	DATE	ECN NO.	APP'D BY	REL BY
REV	ISSUE			
—	05/03/18	UMI6760	T.POMBART	PER

QUALITY SYMBOLS	UNLESS SPECIFIED: ALL DIMENSIONS IN INCHES	SCALE	DWG SIZE	TITLE	REVISION	DRAWING NO.	SHEET NO.	
<p>MAJOR =</p> <p>CRITICAL =</p> <p>SFC =</p>	<p>GENERAL TOLERANCES:</p> <p>3 PLACE ±.005</p> <p>2 PLACE ±.010</p> <p>ANGULAR ±2°</p>	10:1	B	NANO DUAL ROW CONNECTOR, MALE/FEMALE, SIZE 10, NHR-10H0-30F6-36.0 HT	REVISE ON CAD ONLY	SD-437107903	1 OF 1	
		DRAWN BY & DATE	PER	CHECKED BY & DATE	SEE ECN	APPROVED BY & DATE	SEE ECN	
		CAD FILENAME	SD-437107903.DWG	PART NO.	437107903	DRAWING NO.	SD-437107903	
		THIS DRAWING CONTAINS INFORMATION THAT IS PROPRIETARY TO ULTI-MATE INCORPORATED AND SHOULD NOT BE USED WITHOUT WRITTEN PERMISSION.						