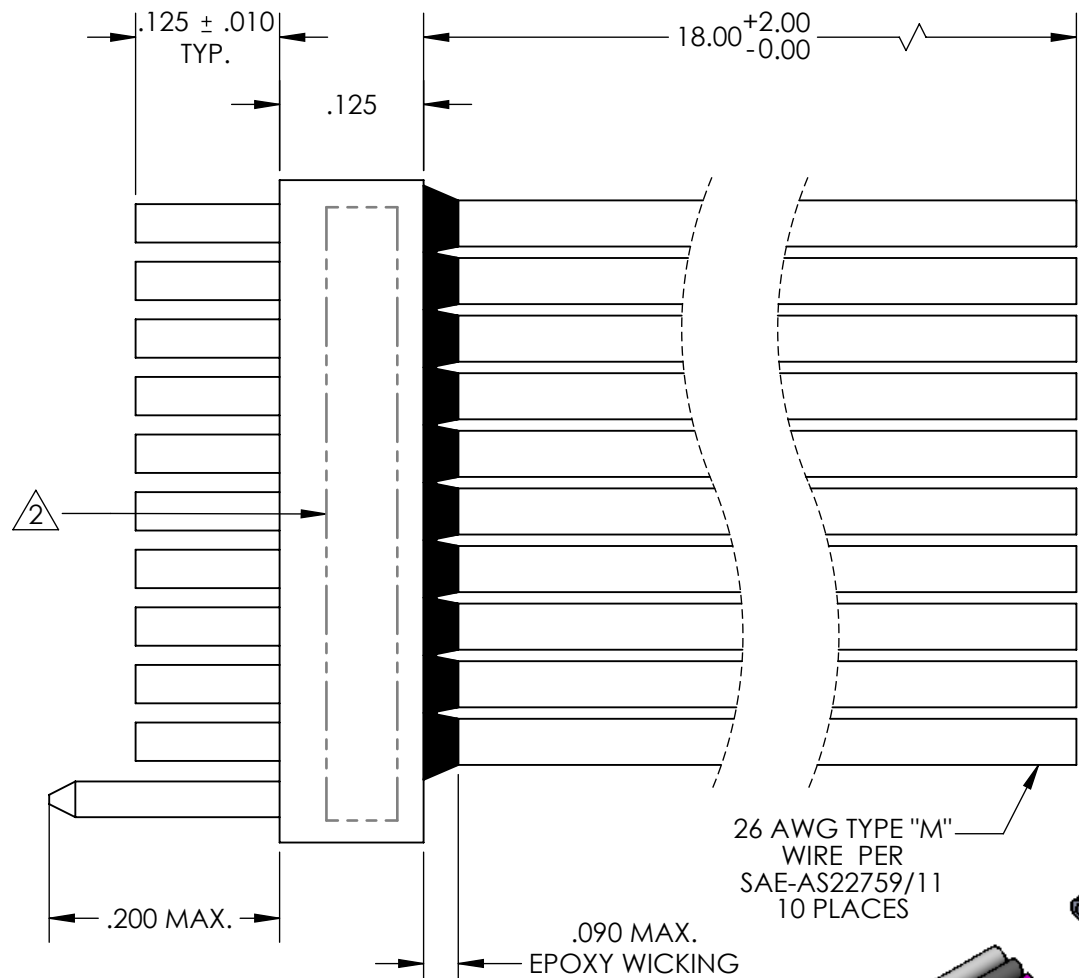
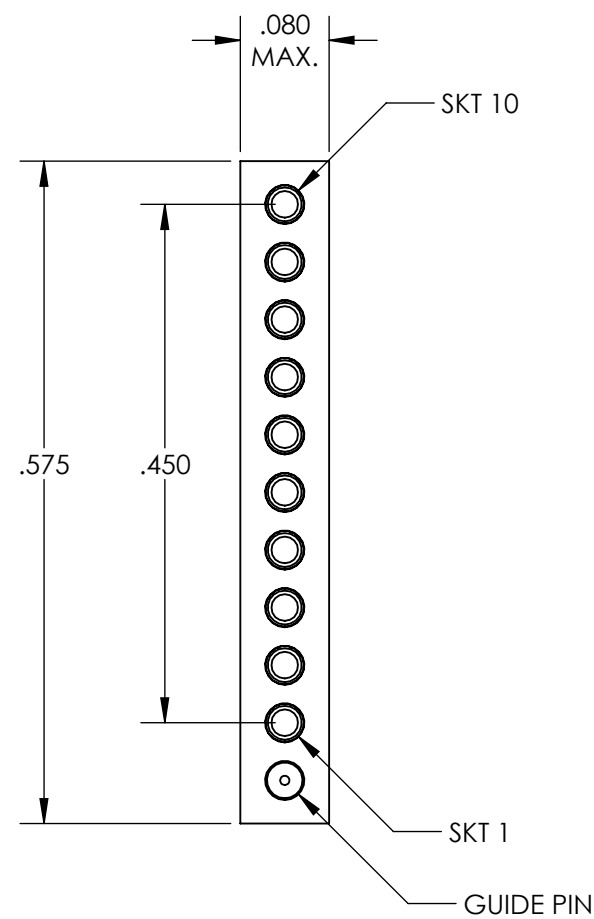


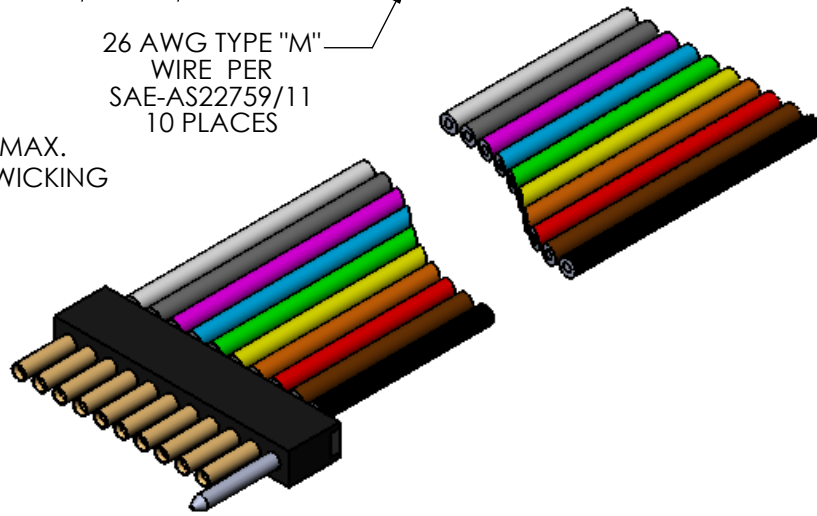
REVISIONS

PART REV.	DWG. ISSUE	DATE	ECN NO.	APPVD. BY	REL. BY
-	-	11/18/2013	UMI5160	DW	DW



COLOR CODE

1	BLK
2	BRN
3	RED
4	ORG
5	YEL
6	GRN
7	BLU
8	VIO
9	GRY
10	WHT



4. PERFORMANCE SPECIFICATIONS:  
 CURRENT RATING: 3A MAX.  
 INSULATION RESISTANCE: 5000 MΩ MIN.  
 DWV: 600 VAC  
 TEMPERATURE RATING: 200°C

3 MATERIALS:  
 INSULATOR AND BACKSHELL: PPS PER MIL-M-24519 GST-40F, COLOR: BLK  
 SOCKET CONTACTS: C21000 COPPER ALLOY PER ASTM B36, GOLD PLATED PER ASTM B488  
 GUIDE PIN: PASSIVATED 300 SERIES STAINLESS STEEL

2 MARKINGS: UMI, UMI PART NO., AND DATE CODE, AS SPACE PERMITS  
 1. CONNECTOR ASSEMBLY IS IAW MIL-DTL-83513 WHERE APPLICABLE

NOTES: UNLESS OTHERWISE SPECIFIED

QUALITY SYMBOLS CRITICAL  MAJOR  NO SYMBOL = MINOR DIMENSION	<b>UNLESS SPECIFIED:</b> ALL DIMENSIONS IN INCHES GENERAL TOLERANCES: 3 PLACE ±.005 2 PLACE ±.01 ANGULAR ±2° ALL EXTERNAL SPECIFICATIONS REFERENCED ON THIS DRAWING SHALL BE THE LATEST REVISION IN EFFECT Ulti-Mate CAGE CODE <b>58967</b>	SCALE <b>6:1</b> DWG SIZE <b>B</b>	THIRD ANGLE PROJECTION <b>REVISE ON CAD ONLY</b>
	DRAWN BY & DATE JB 10/31/2013 CHECKED BY & DATE DW 11-5-13 APPROVED BY & DATE DW 11-5-13	TITLE MICRO-D STRIP CONNECTOR, WIRED, RECEPTACLE, SIZE 10 W/GUIDE PIN, HI-TEMP SR10S1-26M5-18.0-HT	
	CAD FILENAME SD-437102901.slddrw	MATERIAL 	ENG PROJECT # E134 PART NO. 437102901 DRAWING NO. SD-437102901 SHEET NO. <b>1 OF 1</b>
	THIS DRAWING CONTAINS INFORMATION THAT IS PROPRIETARY TO ULTI-MATE INCORPORATED AND SHOULD NOT BE USED WITHOUT WRITTEN PERMISSION.		PART REV. -