

PART REV	DWG ISSUE	DATE	ECN NO.	APPVD BY	REL BY
-	-	12/19/14	UMI5496	DW	DW

F

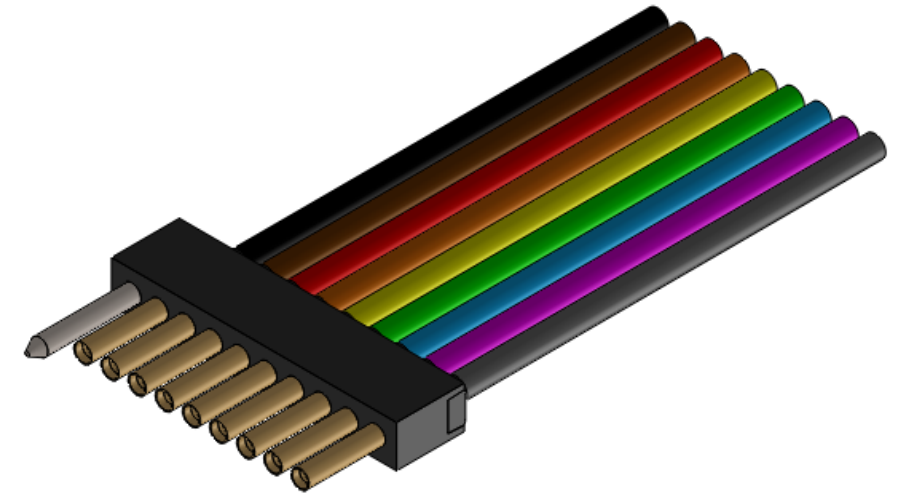
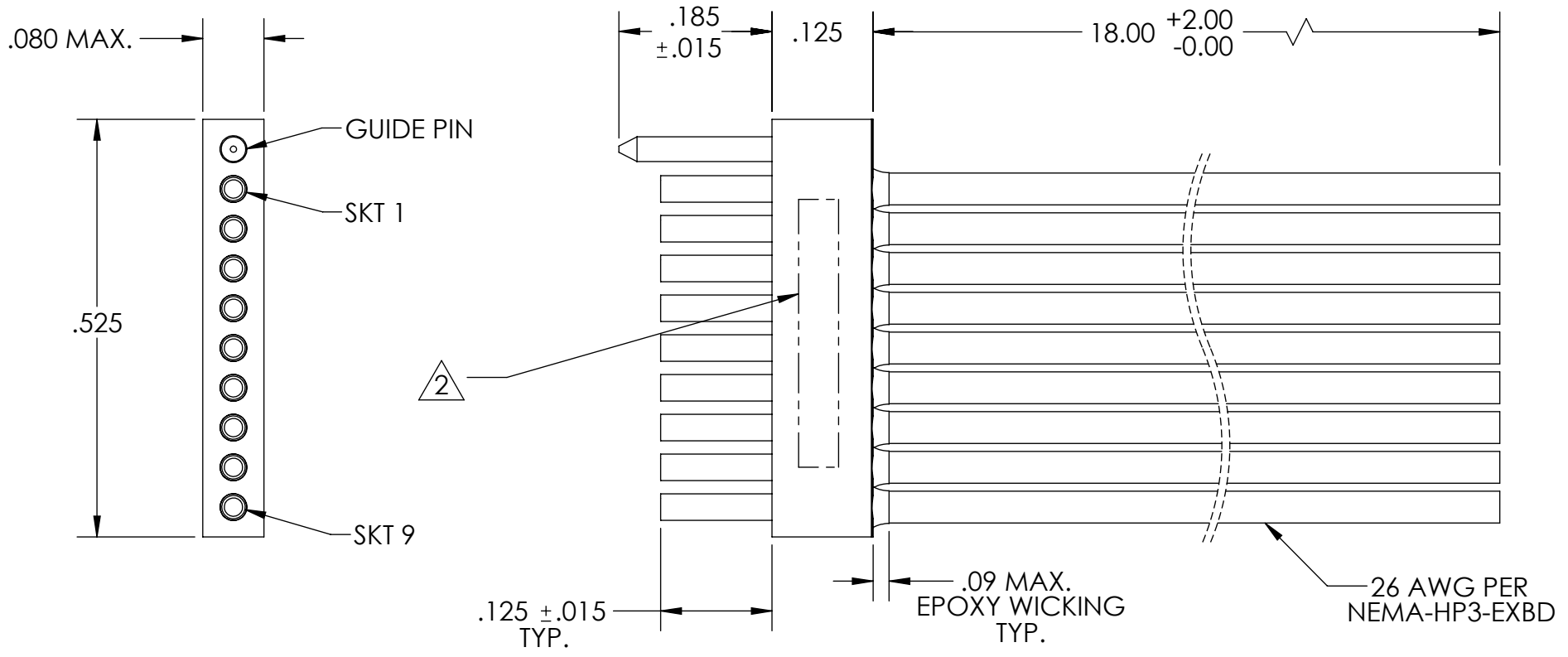
E

D

C

B

A



GUIDE PIN	
1	BLK
2	BRN
3	RED
4	ORG
5	YEL
6	GRN
7	BLU
8	VIO
9	GRY

4. PERFORMANCE SPECIFICATIONS (AT AMBIENT TEMPERATURE):
 CURRENT RATING: 3 AMPS MAX.
 INSULATION RESISTANCE: 5000 MEGOHMS MIN.
 DWV: 600 VAC
 TEMPERATURE RATING: 200° C

3 MATERIALS:
 INSULATOR: PPS PER MIL-M-24519 GST-40F, COLOR: BLACK
 SOCKET CONTACT: C21000 COPPER ALLOY PER ASTM B36, GOLD PLATED PER ASTM B488
 WIRE: 26 AWG PER NEMA-HP3-EXBD, COLOR CODE: PER MIL-STD-681
 GUIDE PIN: STAINLESS STEEL, 300 SERIES, PASSIVATED PER AMS-2700

2 MARKING: "UMI", DATE CODE ON PART. BAG AND TAG WITH UMI PART NUMBER.

1. CONNECTOR ASSEMBLY IS IAW MIL-DTL-83513 UNLESS OTHERWISE SPECIFIED.

NOTES: UNLESS OTHERWISE SPECIFIED.

QUALITY SYMBOLS CRITICAL MAJOR NO SYMBOLS = MINOR DIMENSIONS	UNLESS OTHERWISE SPECIFIED: ALL DIMENSIONS ARE IN INCHES	SCALE: NONE	DWG SIZE: B	THIRD ANGLE PROJECTION	REVISE ON CAD ONLY	
	GENERAL TOLERANCES: 3 PLACES ±.005 2 PLACES ±.01 ANGULAR ±2°	DRAWN BY & DATE: DU 11/19/14		TITLE: MICRO STRIP CONNECTOR ASSEMBLY, SR09S1-26E5-18.0-HT, HIGH TEMP		
		CHECKED BY & DATE: DW 11/19/14		MATERIAL: 3	ENG PROJECT #: E218	
		APPROVED BY & DATE: DW 11/19/14				
	ULTI-MATE CAGE CODE: 58967		CAD FILE NAME: SD-437092903.SLDDRW	PART NO.: 437092903	DRAWING NO.: SD-437092903	SHEET NO.: 1 of 1
THIS DRAWING CONTAINS INFORMATION THAT IS PROPRIETARY TO ULTI-MATE INCORPORATED AND SHOULD NOT BE USED WITHOUT WRITTEN PERMISSION.						