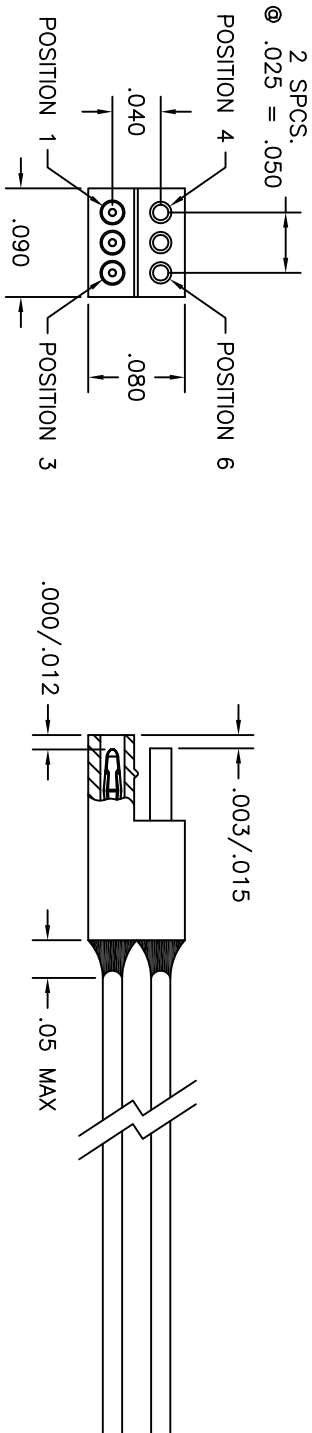
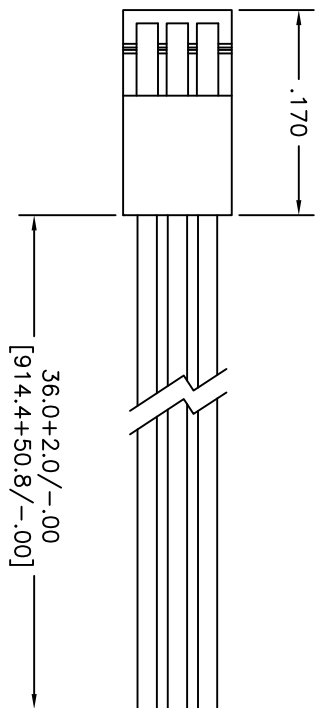


WIRING COLOR CODE

- 1 — BLACK
- 2 — BROWN
- 3 — RED
- 4 — ORANGE
- 5 — YELLOW
- 6 — GREEN



3. PERFORMANCE: MANUFACTURED TO MEET THE FOLLOWING M32139 PERFORMANCE SPECIFICATIONS

- CONTACT RATING: 1 AMPERE MAXIMUM
- INSULATION RESISTANCE: 5000 MEGOHMS MINIMUM @ 100 VDC
- INSULATION RESISTANCE: 0.071 VOLT MAXIMUM DROP @ 1.0 AMPS (.071 OHMS)
- W/6.00" OF WIRE LISTED BELOW, PER MIL-DTL-32139

2. MATERIALS:
- INSULATOR: PPS (POLYPHENYLENE SULFIDE) GST-40F
 - PIN CONTACTS: BERYLLIUM COPPER PER ASTM B194, GOLD PLATED PER ASTM B488
 - SOCKET CONTACTS: BRASS ALLOY 210, GOLD PLATED PER ASTM B488
 - LEADS: 30 AWG, NEMA HP3, TYPE ET, COLOR CODED PER MIL-DTL-6811, SYSTEM 1
 - EPOXY: 200° CELSIUS

1. MARKINGS: UMI, DATE CODE, UMI P/N ON BAG ON TAG, AS SPACE PERMITS
- NOTES: UNLESS OTHERWISE SPECIFIED

PART DWG	DATE	ECN NO.	APP'D BY	REL BY
REV	ISSUE			
—	05/03/18	UMI6760	T.POMBART	PER

QUALITY SYMBOLS	UNLESS SPECIFIED, ALL DIMENSIONS IN INCHES	SCALE	DWG SIZE	THIRD ANGLE PROJECTION	REVISE ON CAD ONLY
MAJOR =	GENERAL TOLERANCES:	10:1	B		
CRITICAL =	3 PLACE ±.005	DRAWN BY & DATE	05-03-18		
C =	2 PLACE ±.010	CHECKED BY & DATE			
SFC =	ANGULAR ±2°	SEE ECN			
S =		APPROVED BY & DATE			
	UT1-Mate CAGE CODE 58967	SEE ECN			
		CAD FILENAME	PART NO.	DRAWING NO.	SHEET NO.
		SD-437067903.DWG	437067903	SD-437067903	1 OF 1
		THIS DRAWING CONTAINS INFORMATION THAT IS PROPRIETARY TO UTI-MATE INCORPORATED AND SHOULD NOT BE USED WITHOUT WRITTEN PERMISSION.			